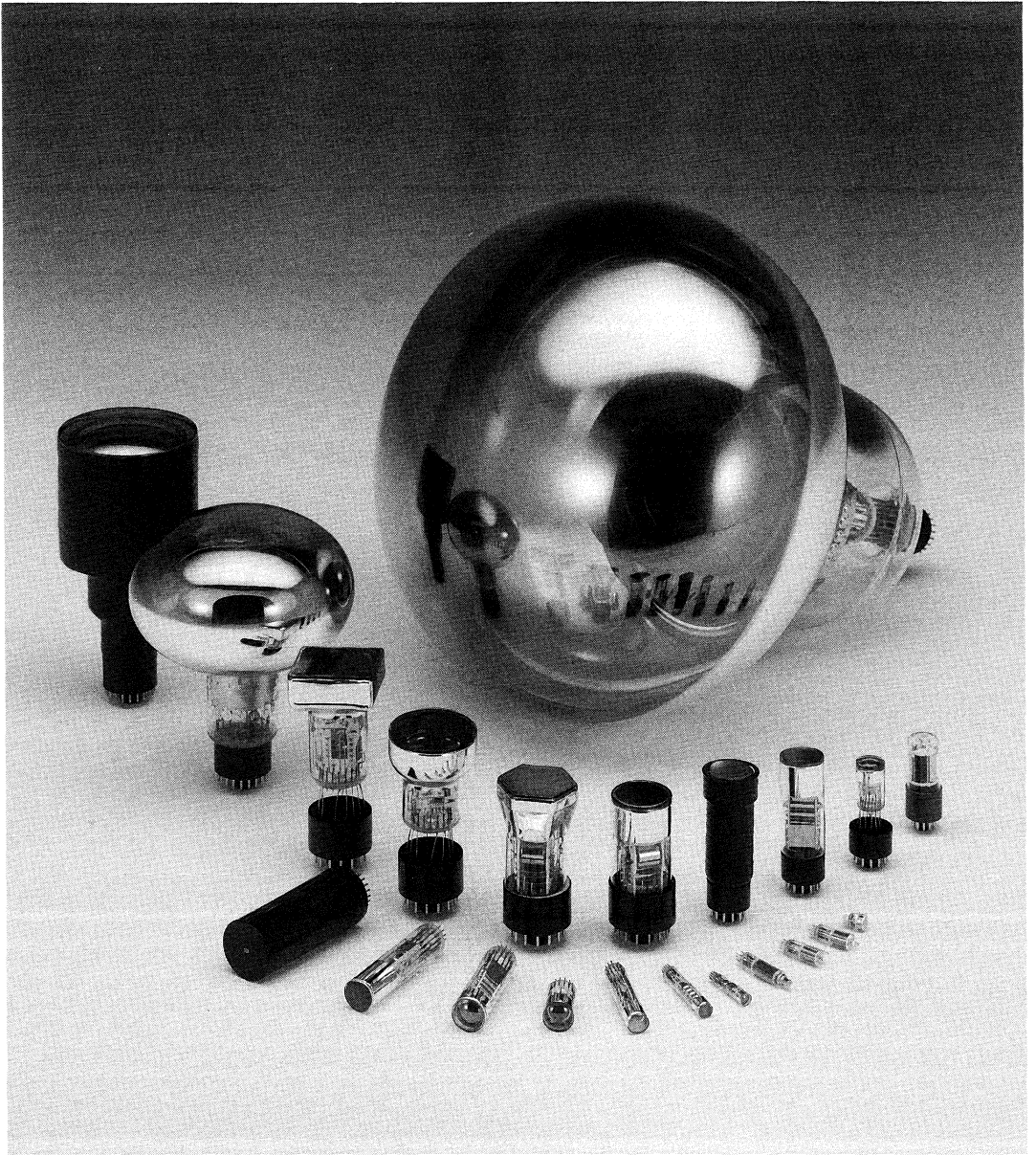


PHOTOMULTIPLIER TUBE

principle to application

PHOTON is
OUR BUSINESS

HAMAMATSU



Introduction

Photodetectors or light sensors can be broadly divided by their operating principle into three major categories: external photoelectric effect, internal photoelectric effect and thermal types. The external photoelectric effect is a phenomenon in which when light strikes a metal or semiconductor placed in a vacuum, electrons are emitted from its surface into the vacuum. Photomultiplier tubes make use of this external photoelectric effect and are superior in response speed and low-light-level detection. They are widely used in medical equipment, analytical instruments and industrial measurement systems.

Light sensors utilizing the internal photoelectric effect are further divided into photoconductive types and photovoltaic types. Photoconductive cells represent the former, and PIN photodiodes the latter. Both types feature high sensitivity and miniature size, making them well suited for use as sensors in camera exposure meters, optical disk pickups and in optical communications. The thermal types, though their sensitivity is low, have no wavelength-dependence and are therefore used as temperature sensors in fire alarms, intrusion alarms, etc.

This manual has been structured as a technical handbook for photomultiplier tubes in order to provide the user with comprehensive information on photomultiplier tubes.

Chapter 1 gives an overview of this manual and a brief history of photomultiplier tubes. Chapter 2 explains the basic principles, construction, and operation of photomultiplier tubes. Chapter 3 describes how to evaluate various characteristics of photomultiplier tubes and provides typical performance examples and precautions for use. In Chapters 4 and 5, the structures and characteristics of MCP-PMTs (microchannel plate-photomultiplier tubes) and electron multipliers are discussed respectively. Chapter 6 introduces the structure and characteristics of recently developed position-sensitive photomultiplier tubes using mesh dynodes and fine-mesh dynodes. Chapter 7 describes electrical conditions used for photomultiplier tube operation and output signal processing. In Chapter 8, environmental durability and operating reliability are discussed. Lastly, Chapter 9 shows application examples of photomultiplier tubes for use in various measurement equipment and in different scientific fields.

This handbook will help the user gain maximum performance from a photomultiplier tube and show how to properly operate it with higher reliability and stability. In particular, we believe that the first-time user will find this manual beneficial as a guide to photomultiplier tubes. We also hope this handbook will be useful for engineers already experienced in photomultiplier tubes for upgrading performance characteristics.

Information furnished by HAMAMATSU is believed to be reliable. However, no responsibility is assumed for possible inaccuracies or omission. Specifications are subject to change without notice. No patent rights are granted to any of the circuits described herein.

© 1994 Hamamatsu Photonics K. K.

TABLE OF CONTENTS

CHAPTER 1 **INTRODUCTION**

1.1 Overview	2
1.2 History	3
1.2.1 History of photocathodes.....	3
1.2.2 History of photomultiplier tubes	4
1.3 Using Photomultiplier Tubes	4
1.3.1 How to make the proper selection.....	5
1.3.2 Basic operating method	5
1.3.3 Associated circuit.....	7
References in Chapter 1	8

CHAPTER 2 **BASIC PRINCIPLE OF PHOTOMULTIPLIER TUBES**

2.1 Photoelectron Emission.....	12
2.2 Electron Trajectory.....	13
2.3 Electron Multiplier (Dynode Section).....	14
References in Chapter 2	15

CHAPTER 3 **CHARACTERISTICS OF PHOTOMULTIPLIER TUBES**

3.1 Basic Characteristics of Photocathodes	18
3.1.1 Photocathode materials	18
(1) Cs-I	18
(2) Cs-Te	18
(3) Sb-Cs	18
(4) Bialkali (Sb-Rb-Cs, Sb-K-Cs)	18
(5) High temperature, low noise bialkali (Sb-Na-K)	19
(6) Multialkali (Sb-Na-K-Cs)	19

	(7) Ag-O-Cs	19
	(8) GaAs (Cs)	19
	(9) InGaAs (Cs)	19
3.1.2	Window materials	22
	(1) MgF ₂ crystal	22
	(2) Sapphire	22
	(3) Synthetic silica	22
	(4) UV glass (UV-transmitting glass)	22
	(5) Borosilicate glass	23
3.1.3	Spectral response characteristics	23
	(1) Radiant sensitivity	23
	(2) Quantum efficiency	23
	(3) Measurement and calculation of spectral response characteristics	24
	(4) Spectral response range (short wavelength limit, long wavelength limit)	24
3.1.4	Luminous sensitivity	25
	(1) Cathode luminous sensitivity	25
	(2) Anode luminous sensitivity	26
	(3) Blue sensitivity and red-to-white ratio	26
3.1.5	Luminous sensitivity and spectral response	27
3.2	Basic Characteristics of Dynodes	28
3.2.1	Dynode types and features	28
	(1) Circular-cage type	29
	(2) Box-and-grid type	29
	(3) Linear-focused type	29
	(4) Venetian blind type	29
	(5) Fine-mesh type	29
	(6) MCP (Microchannel plate)	29
3.2.2	Collection efficiency and current amplification (gain)	30
	(1) Collection efficiency	30
	(2) Current amplification	31
3.3	Characteristics of Photomultiplier Tubes	32
3.3.1	Timing properties	32
	(1) Rise time, fall time and transit time	33
	(2) TTS (transit time spread)	34
	(3) CTTD (cathode transit time difference)	36
	(4) CRT (coincident resolving time)	36
3.3.2	Linearity	37
	(1) Cathode linearity	37
	(2) Anode linearity	38
	(3) Linearity measurement	39
3.3.3	Uniformity	41
	(1) Spatial uniformity	43
	(2) Angular response	45

3.3.4	Stability	46
	(1) Drift (time stability) and life characteristics	46
	(2) Aging and warm-up	46
3.3.5	Hysteresis	47
	(1) Light hysteresis	47
	(2) Voltage hysteresis	48
	(3) Reducing the hysteresis	49
3.3.6	Dark current	49
	(1) Causes of dark current	49
	(2) Expression of dark current	53
3.3.7	Signal-to-noise ratio of photomultiplier tubes	55
3.3.8	Afterpulsing	58
3.3.9	Polarized-light dependence	58
3.4	Photon Counting	61
3.4.1	Analog and digital (photon counting) modes	61
3.4.2	Principle of photon counting	62
3.4.3	Operating method and characteristics for photon counting	64
	(1) Circuit configuration	64
	(2) Basic characteristics in photon counting	64
3.4.4	Characteristics of photomultiplier tubes for photon counting	69
3.5	Scintillation Counting	70
3.5.1	Scintillators and photomultiplier tubes	70
3.5.2	Various characteristics	72
	(1) Energy resolution	72
	(2) Relative pulse height	75
	(3) Linearity	75
	(4) Uniformity	76
	(5) Stability	77
	(6) Noise	78
	(7) The plateau characteristic	79
	References in Chapter 3	81

CHAPTER 4

MCP-PMT

4.1 Construction	84
4.1.1 Construction of MCPs	84
4.1.2 Construction of an MCP-PMT	84
4.1.3 Bleeder circuit and housing structure	85
4.2 Basic characteristics of MCP-PMTs	86
4.2.1 Current amplification characteristics	86
4.2.2 Saturation characteristics	86
(1) Saturation in DC operation (analog mode)	86
(2) Pulse gain saturation characteristics in an MCP non-saturated range (analog mode)	87
(3) Pulse gain characteristics in the MCP saturation range (digital mode)	89
4.2.3 Dead time	90
4.2.4 Timing properties	90
(1) Rise/fall times	91
(2) Transit time	91
(3) TTS (transit time spread)	91
(4) Cathode transit time difference	92
4.2.5 Magnetic characteristics	94
4.3 Gated MCP-PMT	94
4.4 Multianode MCP-PMT	96
References in Chapter 4	98

CHAPTER 5

ELECTRON MULTIPLIER TUBES

5.1 Electron Multiplier Tubes	100
5.1.1 Construction of an electron multiplier tube	100
5.1.2 Composition of the secondary emissive surface	100
5.1.3 Type of dynodes	101
5.2 Characteristics of Electron Multiplier Tubes	101
5.2.1 Current amplification	101
5.2.2 Dark current and noise	102
5.2.3 Linearity	102
5.2.4 Uniformity	102
5.2.5 Magnetic characteristics	103

5.2.6	Time stability	104
5.2.7	Pulse counting.....	104
5.2.8	Spectral response characteristics.....	105
5.3	How to use an electron multiplier tube	106
	References in Chapter 5	107

CHAPTER 6

POSITION-SENSITIVE PHOTOMULTIPLIER TUBES

6.1	Position-Sensitive Photomultiplier Tubes Using Grid Dynodes	111
6.1.1	Construction	111
6.1.2	Characteristics.....	111
6.1.3	Applications.....	115
6.2	Position-Sensitive Photomultiplier Tubes Using Fine-Mesh Dynodes .	117
6.2.1	Construction	117
6.2.2	Characteristics.....	119
6.2.3	Applications.....	121
	References in Chapter 6	124

CHAPTER 7

HOW TO USE PHOTOMULTIPLIER TUBES AND ASSOCIATED CIRCUITS

7.1	Voltage Divider (Bleeder) Circuits	126
7.1.1	Basic operation of bleeder circuits	126
7.1.2	Anode grounding and cathode grounding	126
7.1.3	Bleeder current and output linearity.....	127
	(1) DC-operation output linearity and its countermeasures	128
	(2) Pulse-operation output linearity and its countermeasures	129
7.1.4	Voltage distribution in bleeder circuits	131
	(1) Voltage distribution in the anode and latter stages	131
	(2) Voltage distribution for the cathode and earlier stages	132
7.1.5	Countermeasures for fast response circuits.....	133
7.1.6	Practical fast-response bleeder circuits	134
7.1.7	High output linearity bleeder circuit (1).....	135

7.1.8	High output linearity bleeder circuit (2).....	135
7.1.9	Gating circuit	136
7.1.10	Output control circuit	137
7.1.11	Precautions when fabricating a bleeder circuit.....	139
	(1) Selecting the parts used for a bleeder circuit	139
	(2) Precautions for mounting components	140
7.2	Photomultiplier Tube Voltage Dependence and High-Voltage Power Supply.....	141
7.3	Connection to The External Circuit	141
7.3.1	Observing an output signal.....	141
7.3.2	Influence of a coupling capacitor.....	143
7.3.3	Current-to-voltage conversion for photomultiplier tube output.....	144
	(1) Current-to-voltage conversion using load resistance	144
	(2) Current-to-voltage conversion using an operational amplifier	146
	(3) Charge-sensitive amplifier using an operational amplifier	148
7.3.4	Output circuit for a fast response photomultiplier tube	150
7.3.5	Photon counting circuits	151
7.4	Housing.....	152
7.4.1	Light shield	152
7.4.2	Electrostatic shield.....	152
7.4.3	Magnetic shield.....	153
	(1) Shielding factor of magnetic shield case and orientation of magnetic field	153
	(2) Saturation characteristics	155
	(3) Frequency characteristics	156
	(4) Edge effect	157
	(5) Photomultiplier tube magnetic characteristics and shielding effect	159
	(6) Handling the magnetic shield case	162
7.5	Cooling.....	162
	References in Chapter 7	164

References in Chapter 8	185
-------------------------------	-----

CHAPTER 9 APPLICATIONS

9.1 Spectrophotometry.....	188
9.1.1 Overview.....	188
9.1.2 Specific applications	189
(1) Utilizing Absorption	189
(2) Utilizing Emission	190
9.1.3 Characteristics required of photomultiplier tubes.....	192
9.2 Gamma Cameras.....	192
9.2.1 Overview.....	192
9.2.2 Major characteristics required of photomultiplier tubes	194
9.3 Positron CT	194
9.3.1 Overview.....	194
9.3.2 Major characteristics required of photomultiplier tubes	197
(1) Photomultiplier tubes coupled to BGO ($\text{Bi}_4\text{Ge}_3\text{O}_{12}$) scintillators	197
(2) Photomultiplier tubes coupled to barium fluoride (BaF_2) scintillators	198
9.4 In-vitro Assay.....	199
9.4.1 RIA (Radioimmunoassay) method.....	201
(1) Overview	201
(2) Major characteristics required of photomultiplier tubes	202
9.4.2 EIA (Enzymeimmunoassay) method.....	202
(1) Overview	202
(2) Major characteristics required of photomultiplier tubes	203
9.4.3 Other immunoassay methods	204
(1) Overview	204
(2) Major characteristics required of photomultiplier tubes	205
9.5 Liquid Scintillation Counting Systems.....	205
9.5.1 Overview.....	205
9.5.2 Major characteristics required of photomultiplier tubes	206
9.6 Biotechnology.....	207
9.6.1 Overview.....	207
(1) Cell sorters	207
(2) Fluorometers	208
(3) DNA sequencers	209
9.6.2 Major characteristics required of photomultiplier tubes	209

9.7	High-energy physics experiments	210
9.7.1	Overview.....	210
9.7.2	Major characteristics required of photomultiplier tubes	212
9.8	Oil Well Logging.....	212
9.8.1	Overview.....	212
9.8.2	Major characteristics required of photomultiplier tubes	213
9.9	Mass Spectroscopy/Solid Surface Analysis	215
9.9.1	Mass spectrometers	215
(1)	Overview	215
(2)	Major characteristics required of electron multiplier tubes	216
9.9.2	Solid surface analyzers.....	216
(1)	Overview	216
(2)	Major characteristics required of electron multiplier tubes	218
9.10	Environmental Measurement	218
9.10.1	Dust counters	218
(1)	Overview	218
(2)	Major characteristics required of photomultiplier tubes	219
9.10.2	NOx analyzers	219
(1)	Overview	219
(2)	Major characteristics required of photomultiplier tubes	219
9.10.3	Turbidimeters	219
(1)	Overview	219
(2)	Major characteristics required of photomultiplier tubes	220
9.10.4	Door monitors	220
(1)	Overview	220
(2)	Major characteristics required of photomultiplier tubes	221
9.11	Applications to Laser Measurement	221
9.11.1	Overview.....	222
9.11.2	Major characteristics required of photomultiplier tubes	223
9.12	Plasma Applications.....	224
9.12.1	Overview.....	224
9.12.2	Major characteristics required of photomultiplier tubes	225
9.13	Color Scanners	225
9.13.1	Overview.....	225
9.13.2	Major characteristics required of photomultiplier tubes	226
9.14	Industrial Measurement Applications	226
9.14.1	Thickness gauges.....	226
(1)	Overview	226
(2)	Characteristics required of photomultiplier tubes	227
9.14.2	Laser scanners.....	227
(1)	Overview	227

	(2) Characteristics required of photomultiplier tubes	228
9.14.3	Flying spot scanners	228
	(1) Overview	228
	(2) Characteristics required of photomultiplier tubes	230
9.15	Aerospace Applications	230
	9.15.1 Overview	230
	9.15.2 Characteristics required of photomultiplier tubes	232
9.16	Low-Light-Level Detection	234
	9.16.1 Overview	234
	9.16.2 Characteristics required of photomultiplier tubes	235
	References in Chapter 9	236

INDEX	239
--------------------	------------

CHAPTER 1
INTRODUCTION

1. 1 Overview

The following description provides a brief description of each chapter in this handbook.

Chapter 1 Introduction

This chapter explains the history of the development of photocathodes and photomultiplier tubes, as well as providing a brief guide to photomultiplier tubes which will be helpful for first-time users.

Chapter 2 Basic Principles of Photomultiplier Tubes

This chapter describes the basic operating principles and mechanisms of photomultiplier tubes (often abbreviated as PMT), including photoelectron emission, electron trajectories, and electron multiplication by use of secondary electron multipliers (dynodes).

Chapter 3 Characteristics of Photomultiplier Tubes

Chapter 3 explains the types of photocathodes and dynodes, and their basic characteristics. This chapter also provides the definitions of various characteristics of photomultiplier tubes, their measurement procedures, and specific examples of typical photomultiplier tube characteristics.

In addition, this chapter describes photon counting and scintillation counting - light measurement techniques that have become more popular in recent years. Also listed are definitions of their inherent characteristics, measurement procedures, and typical characteristics of major photomultiplier tubes.

Chapter 4 Microchannel Plate - Photomultiplier Tubes (MCP-PMTs)

This chapter explains MCP-PMTs, i.e., photomultiplier tubes incorporating microchannel plates (MCPs) for their electron multipliers. The basic structure, operation, performance, and examples of typical tube characteristics are discussed.

Chapter 5 Electron Multipliers

Chapter 5 describes electron multipliers, showing the basic structure and typical characteristics, as well as showing handling precautions.

Chapter 6 Position-Sensitive Photomultiplier Tubes

This chapter introduces recently developed position-sensitive photomultiplier tubes using grid type dynodes or fine-mesh dynodes combined with multianodes, and explains their structure, characteristics and applications.

Chapter 7 How to Use and Operate Photomultiplier Tubes

In using a photomultiplier tube, an optimum design is essential for the operating circuits (bleeder circuit and high-voltage power supply) and the associated circuit to which they are connected. In addition, a noise shield may be necessary in some cases.

This chapter explains how to design an optimum electric circuit, including precautions for actual operation with photomultiplier tubes.

Chapter 8 Environmental Durability and Reliability

In this chapter, photomultiplier tube performance and usage are discussed in terms of environmental durability and operating reliability. In particular, this chapter describes ambient temperature, humidity, magnetic field effects, mechanical strength, influence of electromagnetic fields and the countermeasures against these factors. Also explained are operating life, definitions concerning reliability and examples of typical photomultiplier tube characteristics.

Chapter 9 Application Fields

Chapter 9 introduces major applications of photomultiplier tubes, and explains how photomultiplier tubes are used in a variety of fields and applications. Moreover, this chapter shows how to evaluate characteristics of photomultiplier tubes which are required for each application along with their definitions and examples of data actually measured.

1.2 History

1.2.1 History of photocathodes¹⁾

The photoelectric effect was discovered in 1887 by Hertz²⁾ through experiments exposing a negative electrode to ultraviolet radiation. In the next year 1888, the photoelectric effect was conclusively confirmed by Hallwachs³⁾. In 1889, Elster and Geiger⁴⁾ reported the photoelectric effect which was induced by visible light striking an alkali metal (sodium-potassium). Since then, a variety of experiments and discussions on photoemission have been made by many scientists. As a result, the concept proposed by Einstein (in the quantum theory in 1905)⁵⁾, "Photoemission is a process in which photons are converted into free electrons." , has been proven and accepted.

During this historic period of achievement, Elster and Geiger produced a photoelectric tube in 1913. Then, a compound photocathode made of Ag-O-Cs (silver oxygen cesium, so-called S-1) was discovered in 1929 by Koller⁶⁾ and Campbell⁷⁾. This photocathode showed photoelectric sensitivity about two orders of magnitude higher than previously used photocathode materials, achieving high sensitivity in the visible to near infrared region. In 1930, they succeeded in producing a phototube using this S-1 photocathode. In the same year, a Japanese scientist, Asao reported a method for enhancing the sensitivity of silver in the S-1 photocathode. Since then, various photocathodes have been developed one after another, including bialkali photocathodes for the visible region, multialkali photocathodes with high sensitivity extending to the infrared region and alkali halide photocathodes intended for ultraviolet detection⁸⁾⁻¹¹⁾.

In addition, photocathodes using compound semiconductors in groups III - V, for example, GaAs¹²⁾⁻¹⁷⁾ and InGaAs¹⁸⁾¹⁹⁾ have been developed and put into practical use. These semiconductor photocathodes have an NEA (negative electron affinity) structure and offer high sensitivity from the ultraviolet through near infrared region. Currently, a wide variety of photomultiplier tubes utilizing the above photocathodes are available. They are selected and used according to the application required.

1. 2. 2 History of photomultiplier tubes

Photomultiplier tubes have been making rapid progress since the development of photocathodes and secondary emission multipliers (dynodes).

The first report on a secondary emissive surface was made by Austin et al.²⁰⁾ in 1902. Since that time, research into secondary emissive surfaces (secondary electron emission) has been carried out to achieve higher electron multiplication. In 1935, Iams et al.²¹⁾ succeeded in producing a triode photomultiplier tube with a photocathode combined with a single-stage dynode (secondary emissive surface), which was used for movie sound pickup. In the next year 1936, Zworykin et al.²²⁾ developed a photomultiplier tube having multiple dynode stages. This tube enabled electrons to travel in the tube by using an electric field and a magnetic field. Then, in 1939, Zworykin and Rajchman²³⁾ developed an electrostatic-focusing type photomultiplier tube (this is the basic structure of photomultiplier tubes currently used). In this photomultiplier tube, an Ag-O-Cs photocathode was first used and later an Sb-Cs photocathode was employed.

An improved photomultiplier tube structure was developed and announced by Morton in 1949²⁴⁾ and in 1956²⁵⁾. Since then the dynode structure has been intensively studied, leading to the development of a variety of dynode structures including circular-cage, linear-focused and box-and-grid types. In addition, photomultiplier tubes using magnetic-focusing type multipliers²⁶⁾, transmission-mode secondary-emissive surfaces^{27)–29)} and channel type multipliers³⁰⁾ have been developed.

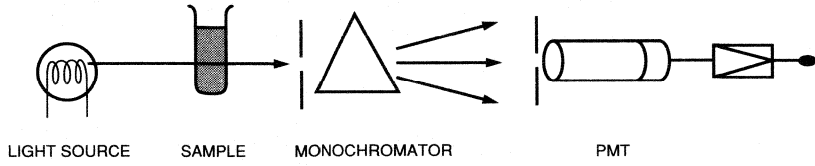
At Hamamatsu Photonics, the manufacture of various phototubes such as types with an Sb-Cs photocathode was established in 1953 (then Hamamatsu TV Co., Ltd. The company name was changed in 1983.). In 1959, Hamamatsu marketed side-on photomultiplier tubes (type No. 931A, 1P21 and R106 having an Sb-Cs photocathode) which have been widely used in spectroscopy. Hamamatsu also developed and marketed side-on photomultiplier tubes (type No. R132 and R136) having an Ag-Bi-O-Cs photocathode in 1962. This photocathode had higher sensitivity in the red region of spectrum than that of the Sb-Cs photocathode, making them best suited for spectroscopy in those days. In addition, Hamamatsu put head-on photomultiplier tubes (type No. 6199 with an Sb-Cs photocathode) on the market in 1965.

In 1967, Hamamatsu introduced a 1/2-inch diameter side-on photomultiplier tube (type No. R300 with an Sb-Cs photocathode) which was the smallest tube at that time. In 1969, Hamamatsu developed and marketed photomultiplier tubes having a multialkali (Na-K-Cs-Sb) photocathode, type No. R446 (side-on) and R375 (head-on). Then, in 1974 a new side-on photomultiplier tube (type No. R928) was marketed by Hamamatsu that achieved much higher sensitivity in the red to near infrared region. This was an epoch-making event in terms of enhancing photomultiplier tube sensitivity. Since that time, Hamamatsu has continued to develop and produce a wide variety of state-of-the-art photomultiplier tubes. The current product line ranges in size from the world's smallest 3/8-inch tubes (R1635, etc.) to the world's largest 20-inch hemispherical tubes (R1449 and R3600). Hamamatsu also offers ultra-fast photomultiplier tubes using a microchannel plate for the dynodes (type No. R2809 with a time resolution as fast as 30 picoseconds) and mesh-dynode type photomultiplier tubes (R2490, etc.) that maintain a superior gain of 10^5 even in high magnetic fields of up to one Tesla. Hamamatsu is constantly engaged in research and development for manufacturing a wide variety of photomultiplier tubes to meet a wide range of application needs.

1. 3 Using Photomultiplier Tubes

This section provides the first-time photomultiplier tube users with general information on how to choose the ideal photomultiplier tube (sometimes abbreviated as PMT), how to operate them properly and how to process the output signals. This section should be referred to as a quick guide. For more details, refer to the following chapters.

1. 3. 1 How to make the proper selection



TPMOC0001EA

Figure 1-1: Absorption spectroscopy application

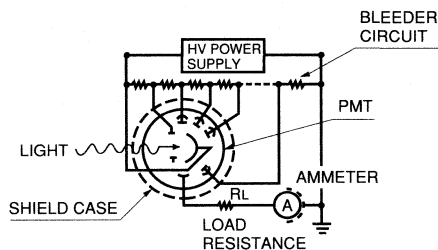
Figure 1-1 shows an application example in which a photomultiplier tube is used in absorption spectroscopy. The following parameters should be taken into account when making a selection.

	Selection reference	
	<Photomultiplier tubes>	<Circuit Conditions>
Light wavelength	Window material Photocathode spectral response	
Light intensity	Number of dynodes Dynodetype Voltage applied to dynodes	Signal processing method (analog or digital method)
Light beam size	Effective diameter (size) Viewing configuration (side-on or head-on)	
Speed of optical phenomenon	Time response	Bandwidth of associated circuit

It is important to know beforehand the conditions of the incident light to be measured. Then it is essential to choose a photomultiplier tube that is best suited to detect the incident light and also to use the optimum circuit conditions that match the application. More specific information on these parameters and conditions are detailed in Chapter 2 and later chapters.

1. 3. 2 Basic operating method

As shown in Figure 1-2, operating a photomultiplier tube requires a stable source of high voltage (normally one to two kilovolts), voltage-divider circuit (or bleeder circuit) that distributes an optimum voltage to each dynode, and sometimes a shield case that protects the tube from magnetic or electric fields. The following equipment is available for setting up photomultiplier tube operation.



TPMOC0002EB

Figure 1-2: Basic operating method

High-voltage power supply

A negative or positive high-voltage power supply of one to two kilovolts is usually required to operate a photomultiplier tube. There are two types of power supplies available: modular power supplies like those shown in Figure 1-3 and bench-top power supplies like those shown in Figure 1-4.

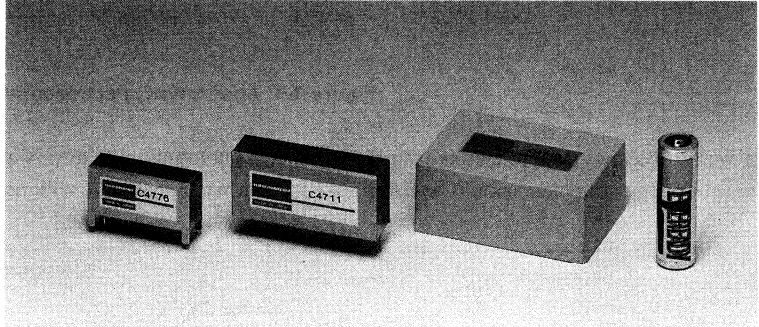


Figure 1-3: Modular high-voltage power supplies

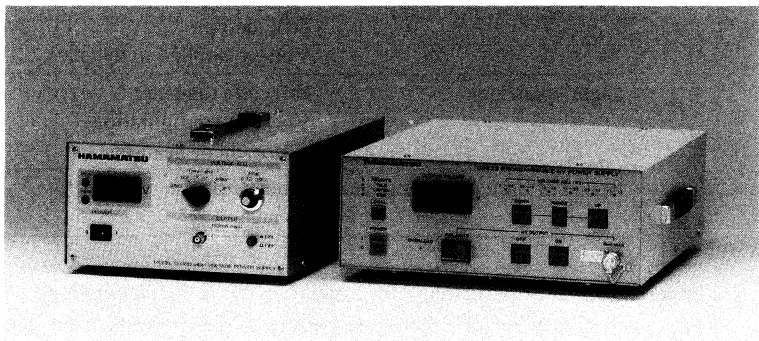
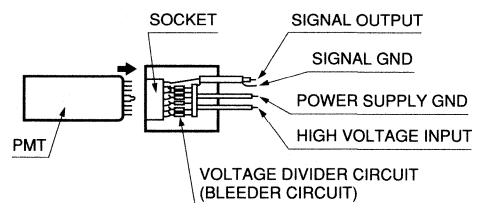


Figure 1-4: Bench-top high-voltage power supplies

Since the gain of a photomultiplier tube is extremely high, it is very sensitive to variations in the high-voltage power supply. When the output stability of a photomultiplier tube should be maintained within one percent, the power supply stability must be held within 0.1 percent.

Bleeder circuit

It is necessary to distribute voltage to each dynode independently. For this purpose, a bleeder circuit is usually used to divide the high voltage and provide a proper voltage gradient between each dynode. To facilitate photomultiplier tube operation, Hamamatsu provides socket assemblies that incorporate a photomultiplier tube socket and a matched bleeder



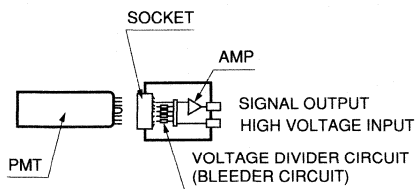
TACCC0001EB

Figure 1-5: D type socket assembly

circuit as shown in Figure 1-5 (D type socket assemblies *1).

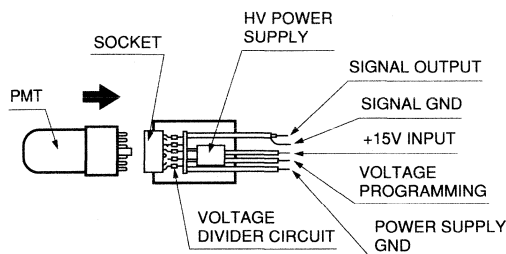
In addition, Hamamatsu offers socket assemblies that further include an amplifier (DA type socket assemblies *2) or a power supply (DP type socket assemblies *3), as shown in Figures 1-6 and 1-7 respectively.

- *1 D type socket assemblies.....Built-in voltage divider (bleeder circuit)
- *2 DA type socket assemblies.... Built-in voltage divider and amplifier
- *3 DP type socket assemblies Built-in voltage divider and power supply



TACCC0002EB

Figure 1-6: DA type socket assembly



TACCC0003EB

Figure 1-7: DP type socket assembly

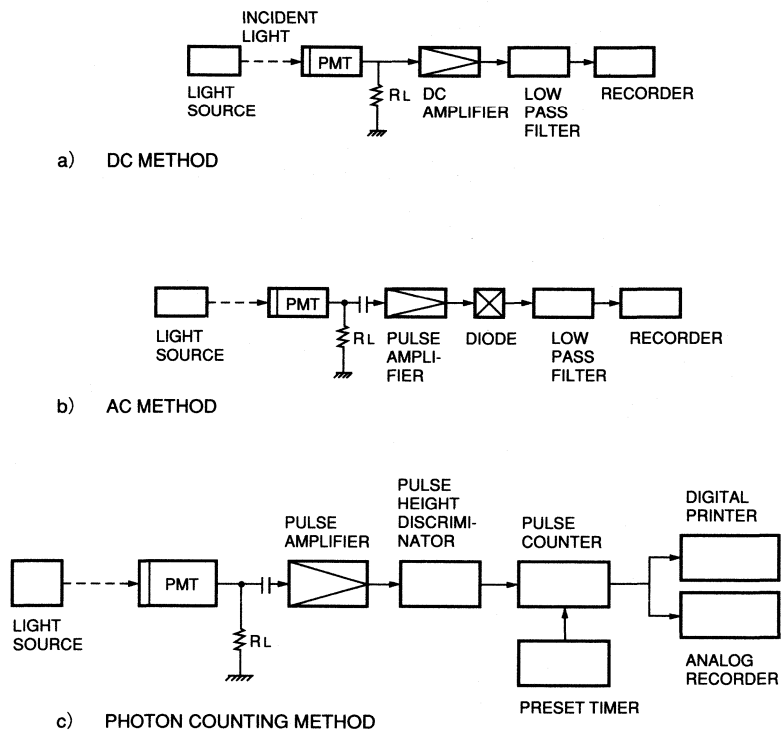
Shield

Photomultiplier tube characteristics may vary with external electromagnetic fields, ambient temperature, humidity, or mechanical stress applied to the tube. For this reason, it is necessary to use a magnetic or electric shield that protects the tube from such adverse environmental factors. Moreover, a cooled housing is often used to maintain the tube at a constant temperature or at a low temperature, thus assuring more reliable operation.

1. 3. 3 Associated circuit

The output from a photomultiplier tube can be processed electrically as a constant current source. It is best, however, to connect it to an optimum circuit depending on the incident light and frequency characteristics required. Figure 1-8 shows typical light measurement circuits which are commonly used. The DC method and AC method (analog method) are mainly used in rather high light levels to moderate light levels. At very low light levels, the photon counting method is most effective. In this method, light is measured by counting individual photons, that is the smallest unit of light.

The DC method shown in a) detects DC components in the photomultiplier tube output by means of an amplifier and a lowpass filter. This method is suited for detection of relatively high light levels and has been widely used. The AC method shown in b) extracts only AC components from the photomultiplier tube output via a capacitor and converts them into DC components by use of a diode. This method is generally used in lower light regions where the AC components are predominate in the output signal over the DC components. In the photon counting method shown in c), the output pulses from the photomultiplier tube are amplified and only the pulses with an amplitude higher than the preset discrimination pulse height are counted. This method allows observation of discrete output pulses from the photomultiplier tube, and is the most effective technique in detecting very low light levels.



TPMOC0004EA

Figure 1-8: Light measurement methods

These light measurement methods using a photomultiplier tube and the associated circuit must be optimized according to the intensity of incident light and the speed of the event to be detected. In particular, when the incident light is very low and the resultant signal is small, consideration must be given to minimize the influence of noise in the succeeding circuits. As stated, the AC method and photon counting method are more effective than the DC method in detecting low level light. When the incident light to be detected changes in a very short period, it is also important that the associated circuit be designed for a wider frequency bandwidth as well as using a fast response photomultiplier tube. Additionally, impedance matching at high frequencies must also be taken into account.

Refer to Chapters 3 and 7 for more details on these precautions.

References in Chapter 1

- 1) T. Hiruma: SAMPE Journal, 24, 35 (1988).
A. H. Sommer: Photoemissive Materials, Robert E. Krieger Publishing Company(1980).
- 2) H. Hertz: Ann. Physik, 31, 983 (1887).
- 3) W. Hallwachs: Ann. Physik, 33, 301 (1888).
- 4) J. Elster and H. Geitel: Ann. Physik, 38, 497 (1889).
- 5) A. Einstein: Ann. Physik, 17, 132 (1905).
- 6) L. Koller: Phys. Rev., 36, 1639 (1930).
- 7) N.R. Campbell: Phil. Mag., 12, 173 (1931).
- 8) P. Gorlich: Z. Physik, 101, 335 (1936).
- 9) A.H. Sommer: U. S. Patent 2,285, 062, Brit. Patent 532,259.

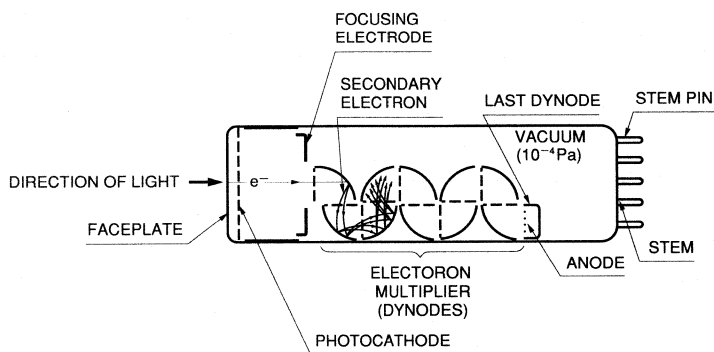
- 10) A.H. Sommer: *Rev. Sci. Instr.*, 26, 725 (1955).
- 11) A.H. Sommer: *Appl. Phys. Letters*, 3, 62 (1963).
- 12) A.N. Arsenova-Geil and A. A. Kask: *Soviet Phys.- Solid State*, 7, 952 (1965).
- 13) A.N. Arsenova-Geil and Wang Pao-Kun: *Soviet Phys.- Solid State*, 3, 2632 (1962).
- 14) D.J. Haneman: *Phys. Chem. Solids*, 11, 205 (1959).
- 15) G.W. Gobeli and F.G. Allen: *Phys. Rev.*, 137, 245A (1965).
- 16) D.G. Fisher, R.E. Enstrom, J.S. Escher, H.F. Gossenberger: *IEEE Trans. Elect. Devices*, Vol ED-21, No.10, 641(1974).
- 17) C.A. Sanford and N.C. Macdonald: *J. Vac. Sci. Technol.* B8(6), NOV/DEC 1853(1990).
- 18) D.G. Fisher and G.H. Olsen: *J. Appl. Phys.* 50(4), 2930 (1979).
- 19) J.L. Bradshaw, W.J. Choyke and R.P. Devaty: *J. Appl. Phys.* 67(3), 1, 1483 (1990).
- 20) H. Bruining: *Physics and applications of secondary electron emission*, McGraw-Hill Book Co., Inc. (1954).
- 21) H.E. Iams and B. Salzberg: *Proc. IRE*, 23, 55(1935).
- 22) V.K. Zworykin, G.A. Morton, and L. Malter: *Proc. IRE*, 24, 351 (1936).
- 23) V.K. Zworykin and J. A. Rajchman: *Proc. IRE*, 27, 558 (1939).
- 24) G.A. Morton: *RCA Rev.*, 10, 529 (1949).
- 25) G.A. Morton: *IRE Trans. Nucl. Sci.*, 3, 122 (1956).
- 26) Heroux, L. and H.E. Hinteregger: *Rev. Sci. Instr.*, 31, 280 (1960).
- 27) E.J. Sternglass: *Rev. Sci. Instr.*, 26, 1202 (1955).
- 28) J.R. Young: *J. Appl. Phys.*, 28, 512 (1957).
- 29) H. Dormont and P. Saget: *J. Phys. Radium (Physique Appliquee)*, 20, 23A (1959).
- 30) G.W. Goodrich and W.C. Wiley: *Rev. Sci. Instr.*, 33, 761 (1962).

NOTES

CHAPTER 2

BASIC PRINCIPLE OF PHOTOMULTIPLIER TUBES^{1) - 5)}

A photomultiplier tube is a vacuum tube consisting of an input window, a photocathode and an electron multiplier sealed into an evacuated glass tube. Figure 2-1 shows the schematic construction of a photomultiplier tube.



TPMHC0006EA

Figure 2-1: Construction of a photomultiplier tube

Light which enters a photomultiplier tube is detected and output as a signal through the following processes.

- (1) Light passes through the input window.
- (2) Excites the electrons in the photocathode so that photoelectrons are emitted into the vacuum (external photoelectric effect).
- (3) Photoelectrons are accelerated and focused by the focusing electrode onto the first dynode where they are multiplied by means of secondary electron emission. This secondary emission is repeated at each of the successive dynodes.
- (4) The multiplied secondary electrons emitted from the last dynode are finally collected by the anode.

This chapter describes the principles of photoelectron emission, electron trajectory, and design and functions of electron multipliers. The electron multipliers used for photomultiplier tubes are classified into two types: normal discrete dynodes consisting of multiple stages and continuous dynodes such as microchannel plates. Since both types of dynodes differ considerably in operating principle, photomultiplier tubes using microchannel plates (MCP-PMTs) are separately described in Chapter 4. Furthermore, electron multipliers intended for use in particle and radiation measurement are discussed in Chapter 5.

2. 1 Photoelectron Emission⁶⁾⁷⁾

Photoelectric conversion is broadly classified into external photoelectric effects by which photoelectrons are emitted into the vacuum from a material and internal photoelectric effects by which photoelectrons are excited into the conduction band of a material. The photocathode has the former effect and the latter are represented by the photoconductive or photovoltaic effect.

Since a photocathode is a semiconductor, it can be described using a band model as shown in Figure 2-2.

In a semiconductor band model, there exist a forbidden-band gap or energy gap (EG) that cannot be occupied by electrons, electron affinity (EA) which is an interval between the conduction band and the vacuum level barrier (vacuum level), and work function (ψ) which is an energy difference between the Fermi level and the vacuum level. When photons strike a photocathode, electrons in the valence band absorb photon energy ($h\nu$) and become excited, diffusing toward the photocathode surface. If the diffused electrons have energy enough to overcome the vacuum level barrier, they are emitted into the vacuum as photoelectrons. This can be expressed in a probability process, and the quantum efficiency $\eta(\nu)$, i.e., the ratio of output electrons to incident photons is given by

$$\eta(\nu) = (1 - R) \frac{P\nu}{k} \cdot \left(\frac{1}{1 + 1/kL} \right) \cdot P_s$$

where

R : reflection coefficient

k : full absorption coefficient of photons

$P\nu$: probability that light absorption may excite electrons to a level greater than the vacuum level

L : mean escape length of excited electrons

P_s : probability that electrons reaching the photocathode surface may be released into the vacuum

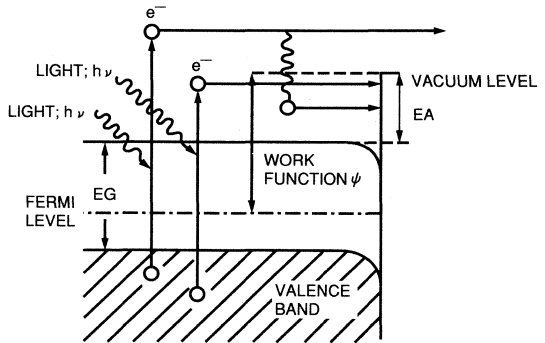
ν : frequency of light

In the above equation, if we have chosen an appropriate material which determines parameters R, k and $P\nu$, the factors that dominate the quantum efficiency will be L (mean escape length of excited electrons) and P_s (probability that electrons may be emitted into the vacuum). L becomes longer by use of a better crystal and P_s greatly depends on electron affinity (EA).

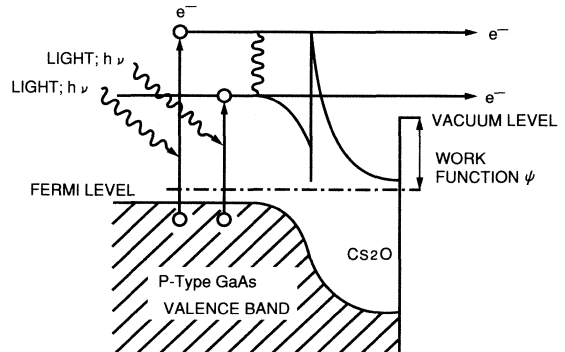
Figure 2-2 (2) shows the band model of a photocathode using groups III-V compound semiconductors^{8)–10)}. If a surface layer of electropositive material such as Cs_2O is applied to this photocathode, a depletion layer is formed, causing the band structure to be bent downward. This bending can make the electron affinity negative. This state is called NEA (negative electron affinity). The NEA effect increases the probability (P_s) that the electrons reaching the photocathode surface may be emitted into the vacuum. In particular, it enhances the quantum efficiency at long wavelengths with lower excitation energy. In addition, it lengthens the mean escape distance (L) of excited electrons due to the depletion layer.

Photocathodes can be classified by photoelectron emission process into a reflection mode and a transmission

(1) ALKALI PHOTOCATHODE



(2) III-V SEMICONDUCTOR PHOTOCATHODE



TPMOC0003EA

Figure 2-2: Photocathode band models

mode. The reflection mode photocathode is usually formed on a metal plate, and photoelectrons are emitted in the opposite direction of the incident light. The transmission mode photocathode is usually deposited as a thin film on a glass plate which is optically transparent. Photoelectrons are emitted in the same direction as that of the incident light. (Refer to Figures 2-3, 2-4 and 2-5.) The reflection mode photocathode is mainly used for the side-on photomultiplier tubes which receive light through the side of the glass bulb, while the transmission mode photocathode is used for the head-on photomultiplier tubes which detect the input light through the end of a cylindrical bulb.

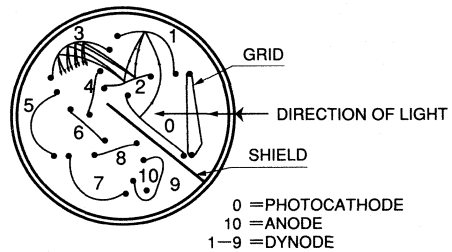
The wavelength of maximum response and long-wavelength cutoff are determined by the combination of alkali metals used for the photocathode and its fabrication process. As an international designation, photocathode sensitivity¹¹⁾ as a function of wavelength is registered as an “S” number by the JEDEC (Joint Electron Devices Engineering Council). This “S” number indicates the combination of a photocathode and window material and at present, numbers from S-1 through S-25 have been registered. However, other than S-1, S-11, S-20 and S-25 these numbers are scarcely used. Refer to Chapter 3 for the spectral response characteristics of various photocathodes and window materials.

2.2 Electron Trajectory

In order to collect photoelectrons and secondary electrons efficiently on a dynode and also to minimize the electron transit time spread, electrode design must be optimized through an analysis of the electron trajectory^{12) - 16)}.

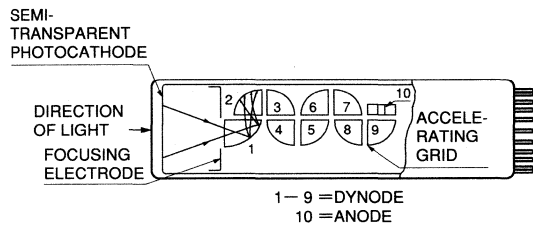
Electron movement in a photomultiplier tube is influenced by the electric field which is dominated by the electrode configuration, arrangement, and also the voltage applied to the electrode. Conventional analysis of the electron trajectory has been performed by simulation models of an actual electrode, using methods such as rubber films and an electrolytic bath. Recently, however, numerical analysis using high-speed, large-capacity computers have come into use. This method divides the area to be analyzed into a grid-like pattern to give boundary conditions, and obtains an approximation by repeating computations until the error converges. By solving the equation for motion based on the potential distribution obtained using this method, the electron trajectory can be predicted.

When designing a photomultiplier tube, the electron trajectory from the photocathode to the first dynode must be carefully designed in consideration of the photocathode shape (planar or spherical window), the shape and arrangement of the focusing electrode and the supply voltage, so that the photoelectrons emitted from the photocathode are efficiently focused onto the first dynode. The collection efficiency of the first dynode is the ratio of the number of electrons landing on the effective area of the first dynode to the number of emitted photoelectrons. This is usually better than 60 to 90 percent. In some applications where the electron



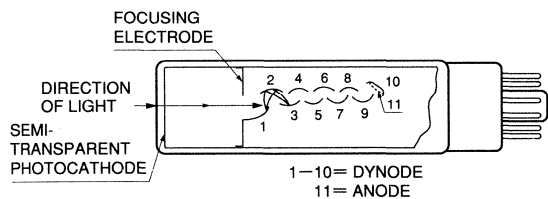
TPMSC0001EA

Figure 2-3: Circular-cage type



TPMHC0008EA

Figure 2-4: Box-and-grid type



TPMHC0009EA

Figure 2-5: Linear-focused type

transit time needs to be minimized, the electrode should be designed not only for optimum configuration but also for higher electric fields than usual.

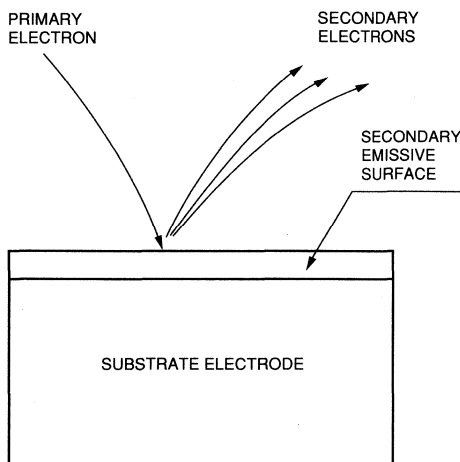
The dynode section is usually constructed from several to more than ten stages of secondary-emissive electrodes (dynodes) having a curved surface. To enhance the collection efficiency of each dynode and minimize the electron transit time spread, the optimum configuration and arrangement should be determined from an analysis of the electron trajectory. It is also necessary to design the arrangement of the dynodes in order to prevent ion or light feedback from the latter stages.

In addition, various characteristics of a photomultiplier tube can also be calculated by computer simulation. For example, the collection efficiency, uniformity, and electron transit time can be calculated using a Monte Carlo simulation by setting the initial conditions of photoelectrons and secondary electrons. This allows collective evaluation of photomultiplier tubes. Figures 2-3, 2-4 and 2-5 are cross sections of photomultiplier tubes having a circular-cage, box-and-grid, and linear-focused dynode structures, respectively, showing their typical electron trajectories.

2.3 Electron Multiplier (Dynode Section)

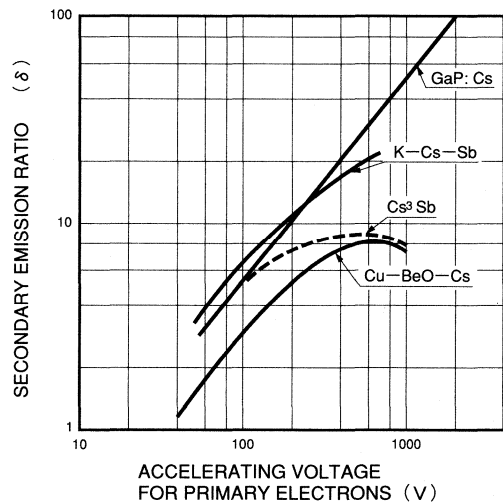
As stated above, the potential distribution and electrode structure of a photomultiplier tube is designed to provide optimum performance. Photoelectrons emitted from the photocathode are multiplied by the first dynode through the last dynode (up to 19th dynode), with current amplification ranging from 10 to as much as 10^8 times, and are finally sent to the anode.

Major secondary emissive materials^{17)–21)} used for dynodes are alkali antimonide, beryllium oxide (BeO), magnesium oxide (MgO), gallium phosphide (GaP) and gallium arsenide phosphide (GaAsP). These materials are coated on a substrate electrode made of nickel, stainless steel, or copper-beryllium alloy. Figure 2-6 shows a model of the secondary emission multiplication of a dynode.



TPMOC0066EA

Figure 2-6: Secondary emission of dynode



TPMOB0001EA

Figure 2-7: Secondary emission ratio

When a primary electron with initial energy E_p strikes the surface of a dynode, δ secondary electrons are emitted. This δ , the number of secondary electrons per primary electron, is called the secondary emission ratio. Figure 2-7 shows the secondary emission ratio δ for various dynode materials as a function of the accelerating voltage for the primary electrons.

Ideally, the current amplification of a photomultiplier tube having the number of dynode stages n and the average secondary emission ratio δ per stage will be δ^n . Refer to Section 3.2.2 in Chapter 3 for more details on the current amplification.

Because a variety of dynode structures are available and their current amplification, time response, uniformity, and collection efficiency differ depending on the number of dynode stages and other factors, it is necessary to select the optimum dynode type according to your application. These characteristics are described in Chapter 3, Section 3.2.1.

References in Chapter 2

- 1) Hamamatsu Photonics: "Photomultiplier Tubes and Related Products" (1990, October revision)
- 2) Hamamatsu Photonics: "Characteristics and Uses of Photomultiplier Tubes" No.79-57-03 (1982).
- 3) S.K. Poultney: *Advances in Electronics and Electron Physics* 31, 39 (1972). 4)
D.H. Seib and L.W. Ankerman: *Advances in Electronics and Electron Physics*, 34, 95 (1973).
- 5) J.P. Boutot, et al.: *Advances in Electronics and Electron Physics* 60, 223 (1983).
- 6) T. Hiruma: *SAMPE Journal*, 24, 6, 35-40 (1988).
- 7) T. Hayashi: *Bunkou Kenkyuu*, 22, 233 (1973). (Published in Japanese)
- 8) H. Sonnenberg: *Appl. Phys. Lett.*, 16, 245 (1970).
- 9) W.E. Spicer, et al.: *Pub. Astrom. Soc. Pacific*, 84, 110 (1972).
- 10) M. Hagino, et al.: *Television Journal*, 32, 670 (1978). (Published in Japanese)
- 11) A. Honma: *Bunseki*, 1, 52 (1982). (Published in Japanese)
- 12) K.J. Van. Oostrum: *Philips Technical Review*, 42, 3 (1985).
- 13) K. Oba and Ito: *Advances in Electronics and Electron Physics*, 64B, 343.
- 14) A.M. Yakobson: *Radiotekh & Electron*, 11, 1813 (1966).
- 15) H. Bruining: *Physics and Applications of Secondary Electron Emission*, (1954).
- 16) J. Rodeny and M. Vaughan: *IEEE Transaction on Electron Devices*, 36, 9 (1989).
- 17) B. Gross and R. Hessel: *IEEE Transaction on Electrical Insulation*, 26, 1 (1991).
- 18) H.R. Krall, et al.: *IEEE Trans. Nucl. Sci. NS-17*, 71 (1970).
- 19) J.S. Allen: *Rev. Sci. Instr.*, 18 (1947).
- 20) A.M. Tyutikov: *Radio Engineering And Electronic Physics*, 84, 725 (1963).
- 21) A.H. Sommer: *J. Appl. Phys.*, 29, 598 (1958).

NOTES

CHAPTER 3

CHARACTERISTICS OF PHOTOMULTIPLIER TUBES

This chapter details various characteristics of photomultiplier tubes, including basic characteristics and their measurement methods. For example, Section 3.1 shows spectral response characteristics of typical photocathodes and also gives the definition of photocathode sensitivity and its measurement procedure. Section 3.2 explains dynode types, structures and typical characteristics. Section 3.3 describes various characteristics of photomultiplier tubes such as time response properties, operating stability, sensitivity, uniformity, signal-to-noise ratio as well as their definitions, measurement procedures and specific product examples. It also provides precautions and suggestions for actual use. Section 3.4 introduces the photon counting method, an effective technique for low-level light detection, including its principles, operating procedure, and various characteristics. In addition, 3.5 explains the principle of scintillation counting which is widely used in radiation measurements, along with the operating procedure and typical characteristics of photomultiplier tubes selected for this application.

3. 1 Basic Characteristics of Photocathodes

This section introduces photocathode and window materials which have been put into practical use up through the present and also explains the terms used to evaluate photocathodes such as quantum efficiency, radiant sensitivity, and luminous sensitivity.

3. 1. 1 Photocathode materials

Most photocathodes¹⁾⁻¹⁵⁾ are made of a compound semiconductor mostly consisting of alkali metals with a low work function. There are about ten kinds of photocathodes which are currently in practical use. Each photocathode is available with a transmission (semitransparent) type or a reflection (opaque) type, with different device characteristics. In the early 1940's, the JEDEC (Joint Electron Devices Engineering Council) introduced the "S number" to designate photocathode spectral response which is classified by the combination of the photocathode and window materials. At present however, because many photocathode and window materials are available, this "S number" is not frequently used except for S-1, S-20, etc. The photocathode spectral response is instead expressed in terms of photocathode materials. The photocathode materials commonly used in photomultiplier tubes are as follows:

(1) Cs-I

Cs-I is insensitive to solar radiation and therefore called "solar blind". Its sensitivity falls sharply at wavelengths longer than 200 nanometers and it is exclusively used for vacuum ultraviolet detection. As window materials, MgF_2 crystals or synthetic silica are used because of high ultraviolet transmittance. Although Cs-I itself has high sensitivity to wavelengths shorter than 115 nanometers, the MgF_2 crystal used for the input window does not transmit wavelengths shorter than 115 nanometers. This means that the spectral response of a photomultiplier tube using the combination of Cs-I and MgF_2 covers a range from 115 to 200 nanometers. To measure light with wavelengths shorter than 115 nanometers using Cs-I, an electron multiplier having a first dynode on which Cs-I is deposited is often used with the input window removed.

(2) Cs-Te

Cs-Te is insensitive to wavelengths longer than 300 nanometers and is also called "solar blind" just as with Cs-I. A special Cs-Te photocathode processed to have strongly suppressed sensitivity in the visible part of the spectrum has been fabricated. With Cs-Te, the transmission type and reflection type show the same spectral response range, but the reflection type exhibits twice the sensitivity of the transmission type. Synthetic silica or MgF_2 is usually used for the input window.

(3) Sb-Cs

This photocathode has sensitivity in the ultraviolet to visible range, and is widely used in many applications. Because the resistance of the Sb-Cs photocathode is lower than that of the alkali photocathode described later on, it is suited for applications where light intensity to be measured is relatively high so that a large current can flow in the cathode, and is also used where changes in the photocathode resistance due to cooling affects measurements. Sb-Cs is chiefly used for the reflection type photocathode.

(4) Bialkali (Sb-Rb-Cs, Sb-K-Cs)

Since two kinds of alkali metals are employed, these photocathodes are called "bialkali". The transmission type of these photocathodes has a spectral response range similar to the

Sb-Cs photocathode, but has higher sensitivity and lower dark current. It also provides sensitivity that matches the emission of a NaI(Tl) scintillator, thus being widely used for scintillation counting in radiation measurements. On the other hand, the reflection-type bialkali photocathodes are intended for different applications and therefore are fabricated by a different process using the same materials. As a result, they offer enhanced sensitivity on the long wavelength side, providing a spectral response from the ultraviolet region to around 700 nanometers.

(5) High temperature, low noise bialkali (Sb-Na-K)

As with the above bialkali photocathodes, two kinds of alkali metals are used. The spectral response range of this photocathode is almost identical with that of the above bialkali photocathodes, but the sensitivity is somewhat lower. This photocathode can withstand operating temperatures up to 175 °C while normal photocathodes are guaranteed to no higher than 50 °C. For this reason, it is ideally suited for use in oil well logging where photomultiplier tubes are often subjected to high temperatures. In addition, when used at room temperatures, this photocathode exhibits very low dark current, thus making it very useful in low-level light detection, for instance in photon counting applications where low noise is a prerequisite.

(6) Multialkali (Sb-Na-K-Cs)

Since three kinds of alkali metals are employed, this photocathode is sometimes called a "trialkali". It has high sensitivity, wide spectral response from the ultraviolet through near infrared region around 850 nanometers, and is widely used in broad-band spectrophotometers. Furthermore, Hamamatsu also provides a multialkali photocathode with long wavelength response extending out to 900 nanometers, which is especially useful in the detection of chemiluminescence in NO_x, etc.

(7) Ag-O-Cs

The transmission type photocathode using this material is sensitive from the visible through near infrared region, from 300 to 1200 nanometers, while the reflection type shows a slightly narrower region, spectral range from 300 to 1100 nanometers. Compared to other photocathodes, this photocathode shows lower sensitivity in the visible region, but has sensitivity at longer wavelengths in the near infrared region. Thus, both the transmission type and reflection type Ag-O-Cs photocathodes are chiefly used for near infrared detection.

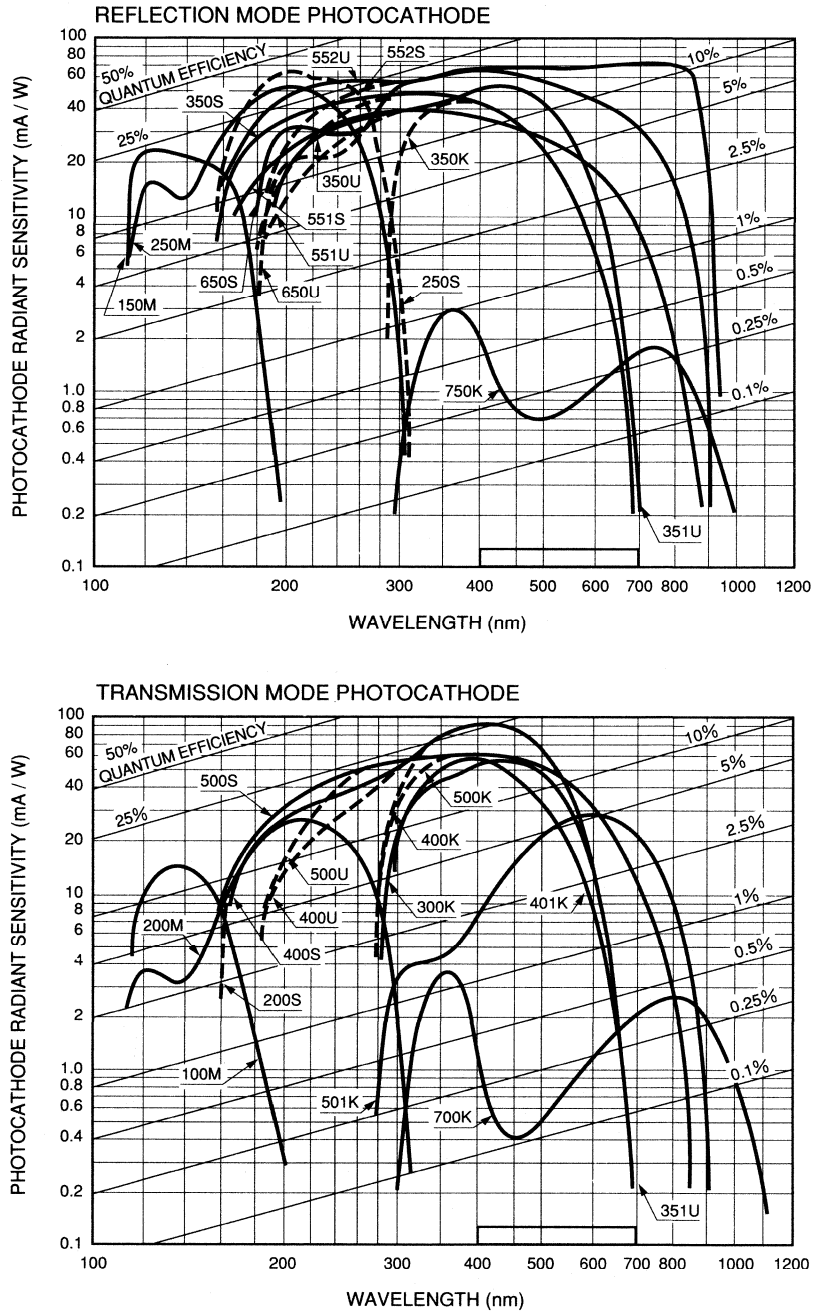
(8) GaAs (Cs)

A GaAs crystal activated with cesium is also used as a photocathode. The spectral response of this photocathode covers a wide range from the ultraviolet through 930 nanometers with a plateau curve from 300 to 850 nanometers, showing a sudden cutoff at the near infrared limit. It should be noted that if exposed to incident light with high intensity, this photocathode tends to suffer sensitivity degradation when compared with other photocathodes.

(9) InGaAs (Cs)

This photocathode provides a spectral response extending further into the infrared region than the GaAs photocathode. Additionally, it offers a superior signal-to-noise ratio in the neighborhood of 900 to 1000 nanometers in comparison with the Ag-O-Cs photocathode.

Typical spectral response characteristics of major photocathodes are illustrated in Figure 3-1¹⁾ and Table 3-1¹⁾. The JEDEC “S numbers” being frequently used are also listed in Table 3-1. The definition of photocathode radiant sensitivity expressed in the ordinate of Figure 3-1 is explained in Section 3.1.3, “Spectral response characteristics”. Note that Figure 3-1 and Table 3-1 show typical characteristics and actual data may differ from tube to tube.



TPMOB0052EA

Figure 3-1: Typical photocathode spectral response characteristics

Curve Codes	Photocathode Materials	Window Materials	Spectral Response			PMT Examples
			Spectral Range (nm)	Peak Wavelength		
				Radiant Sensitivity (nm)	Q. E. (nm)	

Semitransparent photocathode

○ 100M	Cs-I	MgF ₂	115 to 200	140	130	R972, R1081, R1459, R2050
○ 200M	Cs-Te	MgF ₂	115 to 320	210	200	R1080, R1460
- 201M	Cs-Te	MgF ₂	115 to 320	220	220	R3890U-07
○ 200S	Cs-Te	Synthetic silica	160 to 320	210	200	R431S, R759, R821, R1893
- 201S	Cs-Te	Synthetic silica	160 to 320	240	220	R2078
○ 300K (S-11)	Sb-Cs	Borosilicate	300 to 650	440	410	6199, 7696
○ 400K	Bialkali	Borosilicate	300 to 650	420	390	R329-02, R331-05, R464, R5496
○ 400S	Bialkali	Synthetic silica	160 to 650	420	390	R2165-01, R2496, R2757
○ 401K	High temperature bialkali	Borosilicate	300 to 650	375	360	R1281, R1282, R1288, R1705, R2557, R2560, R2801, R3991, R4177, R4607-01, R3550
- 500M	Multialkali	MgF ₂	115 to 850	430	360	R3809U-08
○ 500S	Multialkali	Synthetic silica	160 to 850	420	280	R375, R562, R3809U, R5916U
○ 500K (S-20)	Multialkali	Borosilicate	300 to 850	420	360	R550, R649, R1387, R1513, R1617, R1878, R1894, R1925, R2154, PM55
○ 500U	Multialkali	UV	185 to 850	420	290	R374, R1104, R1463, R1463P, R1464, R2368
- 502K (Super S20)	Multialkali	Borosilicate	300 to 900	420	400	R5070
○ 501K	Multialkali	Borosilicate	300 to 900	650	600	R669, R1017, R2066, R2228, R5051
- 501S	Multialkali	Synthetic silica	160 to 910	600	590	R3809U-01
- 501U	Multialkali	UV	185 to 900	420	380	R5051
○ 700K (S-1)	Ag-O-Cs	Borosilicate	400 to 1200	800	780	R316, R316-02, R632, R632-01, R1767, 7102
- 700M	Ag-O-Cs	Borosilicate	400 to 1200	800	780	R3809U-09

○ : Spectral response curves are shown in Figure 3-1.

Reflection mode photocathode

○ 150M	Cs-I	MgF ₂	115 to 195	120	120	R1259
○ 250M	Cs-Te	MgF ₂	115 to 320	200	190	R1220, R2985
○ 250S	Cs-Te	Synthetic silica	160 to 320	200	190	R166, R166UH, R427, R1657
○ 350S (S-19)	Sb-Cs	Synthetic silica	160 to 650	340	210	R106, R106UH
○ 350U (S-5)	Sb-Cs	UV	185 to 650	340	270	R212, R212UH, R300, R1414, R3810, 1P28
○ 350K (S-4)	Sb-Cs	Borosilicate	300 to 650	400	350	R105, R105UH, 1P21, 931A
○ 351U (Extr'd S-5)	Sb-Cs	UV	185 to 700	450	235	1P28A
- 453K	Bialkali	Borosilicate	300 to 650	400	360	931B
- 430U	Bialkali	UV	185 to 650	375	300	R2693
- 456U	Low noise bialkali	UV	185 to 680	400	300	R1527, R2371, R4220
- 457U	Bialkali	UV	300 to 680	450	450	R2752
- 459U	Bialkali	UV	185 to 700	420	230	R5785
- 451U	Bialkali	UV	185 to 730	340	320	R372
- 458S	Bialkali	Synthetic silica	160 to 750	420	210	R4332
- 452U	Bialkali	UV	185 to 750	420	220	R3788
- 558K	Multialkali	Borosilicate	300 to 800	530	510	R1923
- 561U	Multialkali	UV	185 to 830	530	300	R4457
- 556U	Multialkali	UV	185 to 850	430	280	R4632
○ 550U	Multialkali	UV	185 to 850	530	250	R889, R1457, R3811
- 555U	Multialkali	UV	185 to 850	430	280	R4632
○ 551U	Multialkali	UV	185 to 870	330	280	R446
○ 552U	Multialkali	UV	185 to 900	400	260	R928
- 554U	Multialkali	UV	185 to 900	450	370	R1477, R3896
- 560U	Multialkali	UV	185 to 900	600	250	R3823
- 651U	GaAs(Cs)	UV	185 to 910	350	270	R666-10
○ 650U	GaAs(Cs)	UV	185 to 930	300 to 800	300	R636-10
○ 650S	GaAs(Cs)	Synthetic silica	160 to 930	300 to 800	280	R943-02
○ 751K	Ag-O-Cs	Borosilicate	400 to 1200	800	720	R5108
- 850U	InGaAs(CS)	UV	185 to 1010	400	330	R2658
- 851K	InGaAs(CS)	Borosilicate	300 to 1040	400	350	R3310-02

○ : Spectral response curves are shown in Figure 3-1.

Table 3-1: Quick reference for typical spectral response characteristics

3. 1. 2 Window materials

As stated in the preceding section, most photocathodes have high sensitivity down to the ultraviolet region. However, because ultraviolet radiation tends to be absorbed by the window material, the short wavelength limit is determined by the ultraviolet transmittance of the window material^{16)–20)}. The window materials commonly used in photomultiplier tubes are as follows:

(1) MgF_2 crystal

The crystals of alkali halide are superior in transmitting ultraviolet radiation, but have the disadvantage of deliquescence. A magnesium fluoride (MgF_2) crystal is used as a practical window material because it offers very low deliquescence and allows transmission of vacuum ultraviolet radiation down to 115 nanometers.

(2) Sapphire

Sapphire is made of Al_2O_3 crystal and shows an intermediate transmittance between the UV-transmitting glass and synthetic silica in the ultraviolet region. Sapphire glass has a short wavelength cutoff in the neighborhood of 150 nanometers, which is slightly shorter than that of synthetic silica.

(3) Synthetic silica

Synthetic silica transmits ultraviolet radiation down to 160 nanometers and in comparison to fused silica, offers lower absorption in the ultraviolet region. Since silica has a thermal expansion coefficient greatly different from that of a Kovar alloy used for the stem pins (leads) of photomultiplier tubes, it is not suited for use as the bulb stem. Because of this, a borosilicate glass is used for the bulb stem and then a graded seal using glasses with gradually different thermal expansion coefficient are connected to the synthetic silica bulb, as shown in Figure 3-2. Because of this structure, the graded seal is very fragile so that sufficient care should be taken when handling the tube. In addition, helium gas may permeate through the silica bulb and cause the noise to increase. Avoid operating or storing such tubes in environments where helium is present.

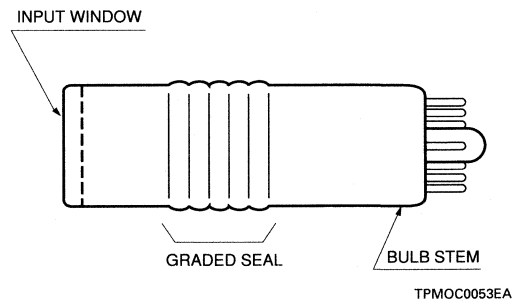


Figure 3-2: Graded seal

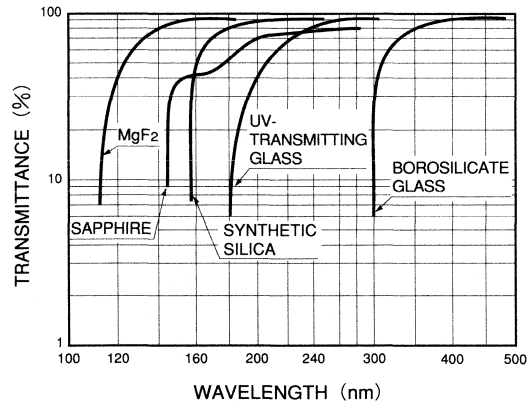
(4) UV glass (UV-transmitting glass)

As the name implies, this transmits ultraviolet radiation well. The short wavelength cutoff of the UV glass extends to 185 nanometers.

(5) Borosilicate glass

This is the most commonly used window material. Because the borosilicate glass has a thermal expansion coefficient very close to that of the Kovar alloy which is used for the leads of photomultiplier tubes, it is often called "Kovar glass". The borosilicate glass does not transmit ultraviolet radiation shorter than 300 nanometers. It is not suited for ultraviolet detection shorter than this range. Moreover, some types of head-on photomultiplier tubes using a bialkali photocathode employ a special borosilicate glass (so-called "K-free glass") containing a very small amount of potassium (K^{40}) which may cause unwanted noise counts. The K-free glass is mainly used for photomultiplier tubes designed for scintillation counting where low background counts are desirable. For more details on background noise caused by K^{40} , refer to Section 3.3.6, "Dark current".

Spectral transmittance characteristics of various window materials are shown in Figure 3-3.



TPMOB0053EA

Figure 3-3: Spectral transmittance of window materials

3. 1. 3 Spectral response characteristics

The photocathode of a photomultiplier converts the energy of incident photons into photoelectrons. The conversion efficiency (photocathode sensitivity) varies with the incident light wavelength. This relationship between the photocathode and the incident light wavelength is referred to as the spectral response characteristics. In general, the spectral response characteristics are expressed in terms of radiant sensitivity and quantum efficiency.

(1) Radiant sensitivity

Radiant sensitivity is the photoelectric current from the photocathode divided by the incident radiant flux at a given wavelength, expressed in units of amperes per watts (A/W). Furthermore, relative spectral response characteristics in which the maximum radiant sensitivity is normalized to 100% are also conveniently used.

(2) Quantum efficiency

Quantum efficiency is the number of photoelectrons emitted from the photocathode divided by the number of incident photons. Quantum efficiency is symbolized by η and generally expressed in percent. Incident photons give energy to electrons in the valence band of a photocathode but not all electrons given energy are emitted as photoelectrons. This photoemission takes place under a certain probability process. Photons at shorter wavelengths carry higher energy compared to those at longer wavelengths and contribute to an increase in the photoemission probability. As a result, the maximum quantum efficiency occurs at a wavelength slightly shorter than that of the radiant sensitivity.

(3) Measurement and calculation of spectral response characteristics

To measure radiant sensitivity and quantum efficiency, a standard phototube or semiconductor detector which is precisely calibrated is used as a secondary standard. At first, the incident radiant flux L_p at the wavelength of interest is measured with the standard phototube or semiconductor detector. Next, the photomultiplier tube to be measured is set in place and the photocurrent I_k is measured. Then the radiant sensitivity S_k of the photomultiplier tube can be calculated from the following equation:

$$S_k = \frac{I_k}{L_p} (A/W) \dots\dots\dots (Eq. 3-1)$$

The quantum efficiency η can be obtained from S_k using the following equation:

$$\eta (\%) = \frac{h \cdot c}{\lambda \cdot e} \cdot S_k = \frac{1240}{\lambda} \cdot S_k \cdot 100\% \dots\dots\dots (Eq. 3-2)$$

$$h = 6.626276 \times 10^{-34} \text{ J} \cdot \text{s}$$

$$c = 2.997924 \times 10^8 \text{ m} \cdot \text{s}^{-1}$$

$$e = 1.602189 \times 10^{-19} \text{ C}$$

where h is Planck's constant, λ is the wavelength of incident light (nanometers), c is the velocity of light in vacuum and e is the electron charge. The quantum efficiency η is expressed in percent.

(4) Spectral response range (short wavelength limit, long wavelength limit)

The wavelength at which the spectral response drops on the short wavelength side is called the short wavelength limit or cutoff while the wavelength at which the spectral response drops on the long wavelength side is called the long wavelength limit or cutoff. The short wavelength limit is determined by the window material, while the long wavelength limit depends on the photocathode material. The range between the short wavelength limit and the long wavelength limit is called the spectral response range.

In this handbook, the short wavelength limit is defined as the wavelength at which the incident light is abruptly absorbed by the window material. The long wavelength limit is defined as the wavelength at which the photocathode sensitivity falls to 1 percent of the maximum sensitivity for alkali and Ag-O-Cs photocathodes, and 0.1 percent of the maximum sensitivity for multialkali photocathodes. However, these wavelength limits will depend on the actual operating conditions such as the amount of incident light, photocathode sensitivity, dark current and signal-to-noise ratio of the measurement system.

3. 1. 4 Luminous sensitivity

The spectral response measurement of a photomultiplier tube requires an expensive, sophisticated system and much time is required, it is therefore more practical to evaluate the sensitivity of common photomultiplier tubes in terms of luminous sensitivity. The illuminance on a surface one meter away from a point light source of one candela (cd) is one lux. One lumen equals the luminous flux of one lux passing an area of one square meter. Luminous sensitivity is the output current obtained from the cathode or anode divided by the incident luminous flux (lumen) from a tungsten lamp at a distribution temperature of 2856K. In some cases, a visual-compensation filter is interposed between the photomultiplier tube and the light source, but in most cases it is omitted. Figure 3-4 shows the visual sensitivity and relative spectral distribution of a 2856K tungsten lamp.

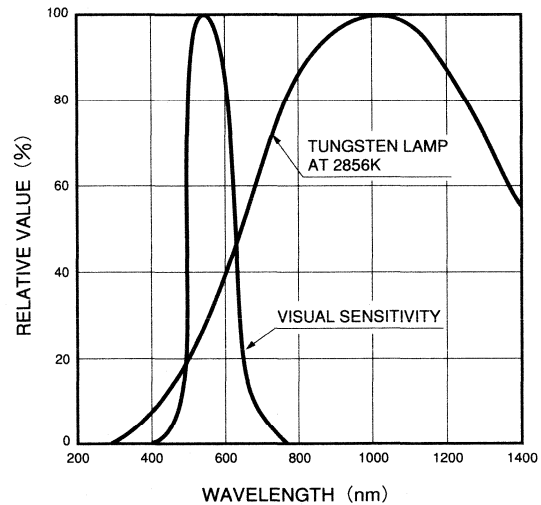
Luminous sensitivity is a convenient parameter when comparing the sensitivity of photomultiplier tubes categorized in the same types. However, it should be noted that “lumen” is the unit of luminous flux with respect to the standard visual sensitivity and there is no physical significance for photomultiplier tubes which have a spectral response range beyond the visible region (350 to 750 nanometers). To evaluate photomultiplier tubes using Cs-Te or Cs-I photocathodes which are insensitive to the spectral distribution of a tungsten lamp, radiant sensitivity at a specific wavelength is measured.

Luminous sensitivity is divided into two parameters: cathode luminous sensitivity which shows the photocathode property and anode luminous sensitivity which indicates the performance of the whole photomultiplier tube.

(1) Cathode luminous sensitivity

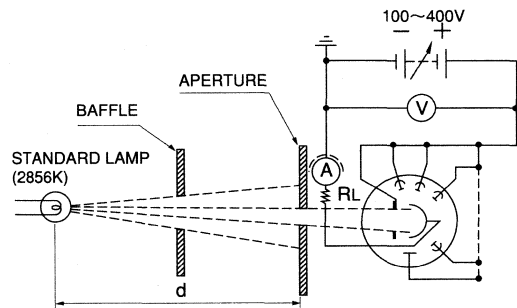
Cathode luminous sensitivity²¹⁾²³⁾ is defined as the photoelectron current from the photocathode (cathode current) per luminous flux from a tungsten lamp operated at a distribution temperature of 2856K. In this measurement, each dynode is shorted to the same potential as shown in Figure 3-5, so that the photomultiplier tube is operated as a bipolar tube.

The incident luminous flux used for measurement is in the range of 10^{-5} to 10^{-2} lumens. If the luminous flux is too large, measurement errors may occur due to the surface resistance of the photocathode. Consequently, the optimum luminous flux must be selected according to the photocathode size and material.



TPM0B0054EA

Figure 3-4: Visual sensitivity and spectral distribution of 2856K tungsten lamp



TPMOC0054EA

Figure 3-5: Schematic diagram for measuring cathode luminous sensitivity

A picoammeter is usually used to measure the photocurrent which is as small as several nanoamperes to several microamperes. Sufficient countermeasures against leakage current and possible noise source must be taken. In addition, be careful to avoid contamination on the socket or bulb stem and to keep the ambient humidity at a low level so that an adequate electrical safeguard is provided.

The photomultiplier tube must be operated at a supply voltage which establishes a complete saturation in the supply voltage vs. cathode current characteristics. A voltage of 90 to 400 volts is usually applied for this purpose. Cathode saturation characteristics are discussed in Section 3.3.2, "Linearity". The ammeter is connected to the cathode via a serial load resistance (R_L) of 100 kilohms to one megohm for circuitry protection.

(2) Anode luminous sensitivity

Anode luminous sensitivity²¹⁾²³⁾ is defined as the anode output current per luminous flux incident on the photocathode. In this measurement, a proper voltage distribution is given to each electrode as illustrated in Figure 3-6. Although the same tungsten lamp that was used to measure the cathode luminous sensitivity is used again, the light flux is reduced to 10^{-10} to 10^{-5} lumens using a neutral density filter. The ammeter is connected

to the anode via the series resistance. The bleeder resistors used in this measurement must have minimum tolerance and good temperature characteristics.

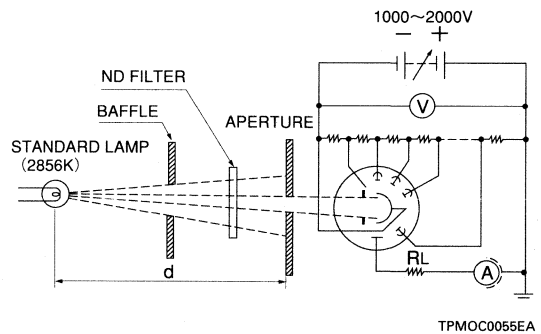


Figure 3-6: Schematic diagram for measuring anode luminous sensitivity

(3) Blue sensitivity and red-to-white ratio

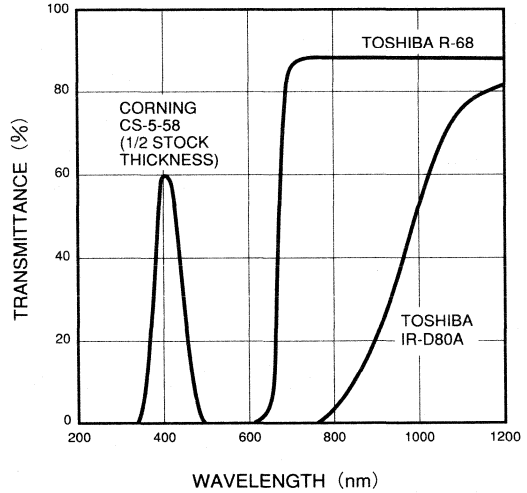
Blue sensitivity and red-to-white ratio are often used for simple comparison of the spectral response of photomultiplier tubes.

Blue sensitivity is the cathode current obtained when a blue filter is placed in front of the photomultiplier tube under the same conditions for the luminous sensitivity measurement. The blue filter used is a Corning Cs No.5-58 polished to half stock thickness. Since the light flux entering the photomultiplier tube has been transmitted through the blue filter once, it cannot be directly represented in lumens. Therefore at Hamamatsu Photonics, it is conveniently expressed in units of A/lm-b (amperes per lumen-blue). The spectral transmittance of this blue filter matches well the emission spectrum of a NaI(Tl) scintillator (peak wavelength 420 nanometers) which is widely used for scintillation counting. Photomultiplier tube sensitivity to the scintillation flash has a good correlation with the anode sensitivity using this blue filter. Furthermore, the blue sensitivity is an important factor to determine energy resolution in scintillation measurement. Refer to Section 3.5 for more details, "Scintillation counting".

The red-to-white ratio is used to evaluate photomultiplier tubes with a spectral response extending to the near infrared region. This parameter is defined as the quotient of the cathode sensitivity measured with a red or near infrared filter interposed under the same conditions for cathode luminous sensitivity divided by the cathode luminous sensitivity

without a filter. The filter used is a Toshiba IR-D80A for Ag-O-Cs photocathodes or a Toshiba R-68 for other photocathodes. If other types of filters are used, the red-to-white ratio will vary.

Figure 3-7 shows the spectral transmittance of these filters.

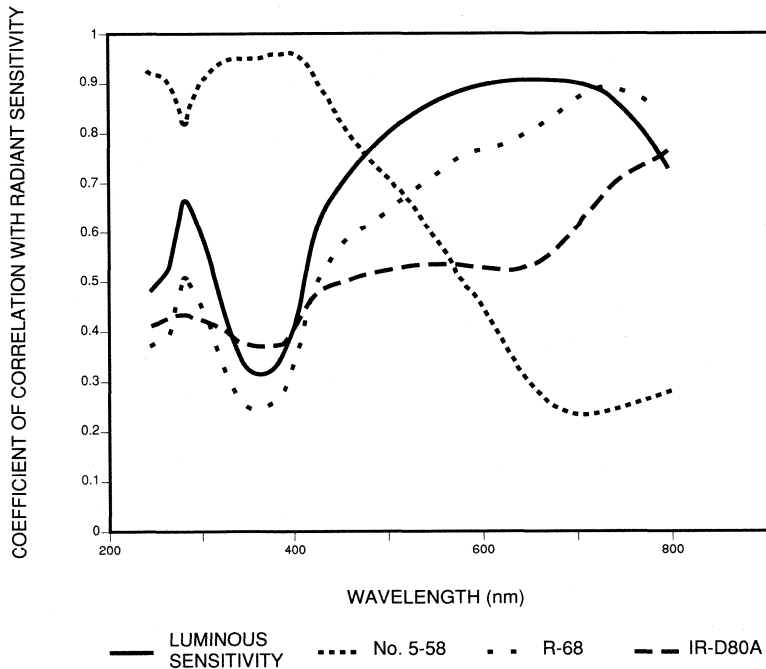


TPMOB0055EB

Figure 3-7: Spectral transmittance of filters

3. 1. 5 Luminous sensitivity and spectral response

There is a correlation between luminous sensitivity and spectral response to some extent at a specific wavelength. Figure 3-8 describes the correlation between luminous sensitivity, blue sensitivity (Cs No.5-58) and red-to-white ratio (R-68, IR-D80A) as a function of wavelength.



TPMOB0056EA

Figure 3-8: Correlation as a function of wavelength

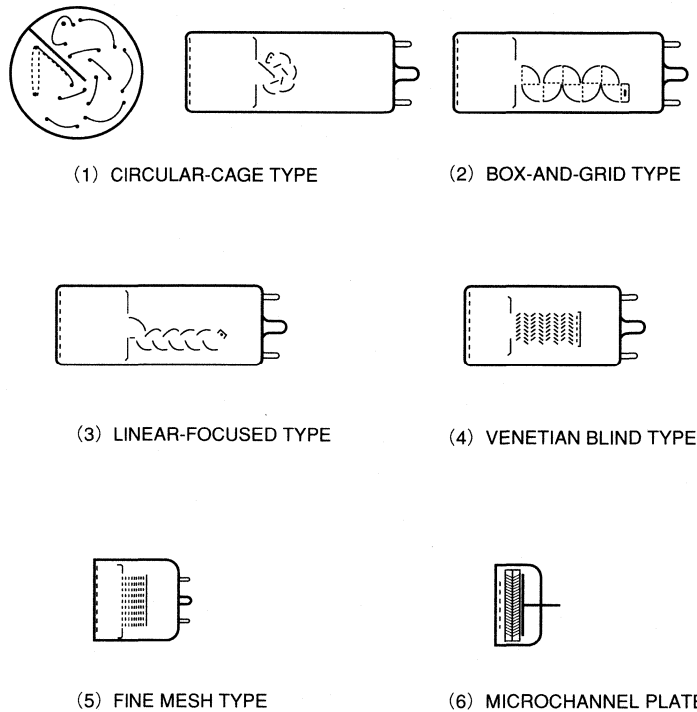
It can be seen from the figure that the radiant sensitivity of a photomultiplier tube has a good correlation with the blue sensitivity at wavelengths shorter than 450 nanometers, with the luminous sensitivity at 700 to 800 nanometers, with the red-to-white ratio using the Toshiba R-68 filter at 700 to 800 nanometers, and with the red-to-white ratio using the Toshiba IR-D80A filter at 800 nanometers or longer. From these correlation values, it is possible to select a photomultiplier tube with optimum sensitivity at a certain wavelength by simply measuring the sensitivity using a filter which has the best correlation value at that wavelength rather than making troublesome measurements of the spectral response.

3. 2 Basic Characteristics of Dynodes

This section introduces typical dynode types currently in use and describes their basic characteristics: collection efficiency and current amplification.

3. 2. 1 Dynode types and features

There are a variety of dynode types available and each type exhibits different current amplification, time response, uniformity and secondary-electron collection efficiency depending upon the structure and the number of stages. It is essential to select the optimum type in accordance with your application. Figure 3-9 illustrates the cross sectional views of typical dynodes and their features are briefly discussed in the following sections. MCP-PMT's incorporating a microchannel plate for the dynode and photomultiplier tubes using a fine-mesh dynode are detailed in Chapter 4 and Chapter 6, respectively.



TPMOC0056EA

Figure 3-9: Types of electron multipliers

(1) Circular-cage type

The circular-cage type has an advantage of compactness and is used in all side-on photomultiplier tubes and in some head-on photomultiplier tubes. The circular-cage type also features fast time response.

(2) Box-and-grid type

This type, widely used in head-on photomultiplier tubes, is superior in photoelectron collection efficiency. Accordingly, photomultiplier tubes using this dynode offer high detection efficiency and good uniformity.

(3) Linear-focused type

As with the box-and-grid type, the linear-focused type is widely used in head-on photomultiplier tubes. Its prime features include fast time response, good time resolution and excellent pulse linearity.

(4) Venetian blind type

The venetian blind type allows a simple design for photoelectron collection and is ideally suited for use in head-on photomultiplier tubes with a large photocathode diameter.

(5) Fine-mesh type

This is also used in head-on photomultiplier tubes. Since photoelectrons and secondary electrons are accelerated by a nearly parallel electric field, photomultiplier tubes using this dynode are less influenced by a magnetic field in the direction of the tube axis, making it possible for them to operate in highly magnetic environments. Each dynode stage can be arranged in close proximity and thus the overall tube length can be shortened. In addition, because of the parallel electric field, they offer position-sensitive capability when used with a special anode. (For further details, refer to Chapter 6.)

(6) MCP (Microchannel plate)

A microchannel plate (MCP) with 1mm thickness is used as a dynode. This dynode exhibits dramatically improved time resolution as compared to other discrete dynodes. It also assures stable gain even in highly magnetic fields and provides position-sensitive capability when combined with a special anode. (For more details, refer to Chapter 6.)

The electrical characteristics of a photomultiplier tube depends not only on the dynode type but also on the photocathode size and focusing system. As a general guide, Table 3-2 summarizes typical performance characteristics of head-on photomultiplier tubes (up to 5-inch diameter) classified by the dynode type. Magnetic characteristics listed are measured in a magnetic field in the direction of the most sensitive tube axis.

Characteristics Dynode	Rise Time [ns]	Pulse Linearity at 2% Deviation [mA]	Magnetic Immunity [mT]	Uniformity	Collection Efficiency	Features
Circular-cage	0.9 to 3.0	1 to 10	0.1	△	○	Compact, high speed
Box-and-grid	6 to 20	1 to 10		○	◎	High collection efficiency
Linear-focused	0.7 to 3	10 to 250		△	○	High speed, high linearity
Venetian Blind	6 to 18	10 to 40		○	△	Suitable for large diameter tubes
Fine Mesh	1.5 to 5.5	300 to 1000	*700 to 1200 or more	○	△	For use in high magnetic field, high linearity
MCP	0.1 to 0.3	700	15 to *1200 or more	○	△	Ultra-high speed

* in magnetic field parallel to tube axis

△ : poor ○ : good ◎ : very good

Table 3-2: Typical characteristics of head-on photomultiplier tubes classified by the dynode type

3. 2. 2 Collection efficiency and current amplification (gain)

(1) Collection efficiency

The electron multiplier of a photomultiplier tube is designed with consideration to the electron trajectories so that electrons are efficiently multiplied at each dynode. However, some electrons may deviate from their favorable trajectories, not contributing to multiplication.

In general, the probability that photoelectrons may land on the effective area of the first dynode is termed the collection efficiency (α). This effective area is the area of the first dynode where photoelectrons can be multiplied effectively at the successive dynode stages without deviating from their favorable trajectories. Although there exist secondary electrons which do not contribute to multiplication at the second dynode or latter dynodes, they will tend to have less of an affect on the total collection efficiency as the number of secondary electrons emitted increases greatly. Thus the photoelectron collection efficiency at the first dynode is important.

Figure 3-10 shows collection efficiency as a function of cathode-to-first dynode voltage. If the cathode-to-first dynode voltage is inappropriate, the photoelectrons will not enter the effective area of the first dynode, thereby degrading collection efficiency.

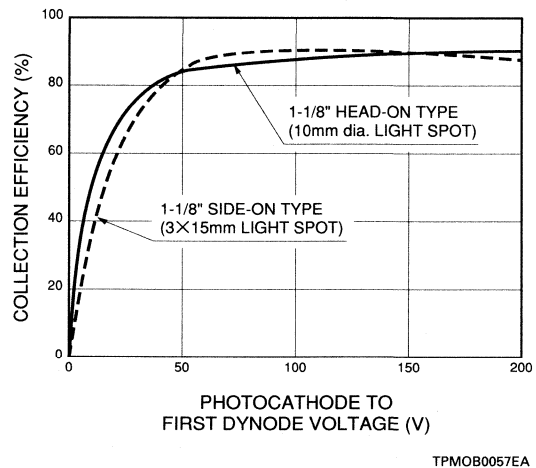


Figure 3-10: Collection efficiency vs. photocathode-to-first dynode voltage

TPMOB0057EA

From Figure 3-10, it can be seen that the cathode-to-first dynode voltage should be higher than 70 volts. The collection efficiency influences energy resolution, detection efficiency and signal-to-noise ratio in scintillation counting. The detection efficiency is the ratio of the detected signal to the input signal of a photomultiplier tube. In photon counting this is expressed as the product of the photocathode quantum efficiency and the collection efficiency.

(2) Current amplification

Secondary emission ratio δ is a function of the interstage voltage of dynodes E, and is given by the following equation:

$$\delta = a \cdot E^k \dots\dots\dots(\text{Eq. 3-3})$$

Where a is a constant and k is determined by the structure and material of an electrode and has a value from 0.7 to 0.8.

The photoelectron current I_k emitted from the photocathode strikes the first dynode where secondary electrons I_{d1} are released. At this point, the secondary emission ratio δ_1 at the first dynode is given by

$$\delta_1 = \frac{I_{d1}}{I_k} \dots\dots\dots(\text{Eq. 3-4})$$

These electrons are multiplied in a cascade process from the first dynode \rightarrow second dynode \rightarrow the n-th dynode. The secondary emission ratio δ_n of n-th stage is given by

$$\delta_n = \frac{I_{dn}}{I_{d(n-1)}} \dots\dots\dots(\text{Eq. 3-5})$$

The anode current I_p is given by the following equation:

$$I_p = I_k \cdot \alpha \cdot \delta_1 \cdot \delta_2 \cdot \dots \cdot \delta_n \dots\dots\dots(\text{Eq. 3-6})$$

Then

$$\frac{I_p}{I_k} = \alpha \cdot \delta_1 \cdot \delta_2 \cdot \dots \cdot \delta_n \dots\dots\dots(\text{Eq. 3-7})$$

where α is the collection efficiency. (See Section 3.4.2.)

The product of $\alpha, \delta_1, \delta_2, \dots, \delta_n$ is called the current amplification μ , and is given by the following equation:

$$\mu = \alpha \cdot \delta_1 \cdot \delta_2 \cdot \dots \cdot \delta_n \dots\dots\dots(\text{Eq. 3-8})$$

Accordingly, in the case of a photomultiplier tube with $\alpha=1$ and the number of dynode stages = n, which is operated using an equally-divided bleeder, the current amplification μ changes in relation to the supply voltage V, as follows:

$$\mu = (a \cdot E^k)^n = a^n \left(\frac{V}{n+1}\right)^{kn} = A \cdot V^{kn} \dots\dots\dots(\text{Eq. 3-9})$$

where A should be equal to $a^n/(n+1)^{kn}$. From this equation, it is clear that the current amplification μ is proportional to the kn exponential power of the supply voltage. Figure 3-11 shows typical current amplification vs. supply voltage. Since Figure 3-11 is expressed in logarithmic scale for both the abscissa and ordinate, the slope of the straight line becomes kn and the current multiplication increases with the increasing supply voltage. This means that the current amplification of a photomultiplier tube is susceptible to variations in the high-voltage power supply used to operate the photomultiplier tube, such as drift, ripple, temperature stability, input regulation, and load regulation.

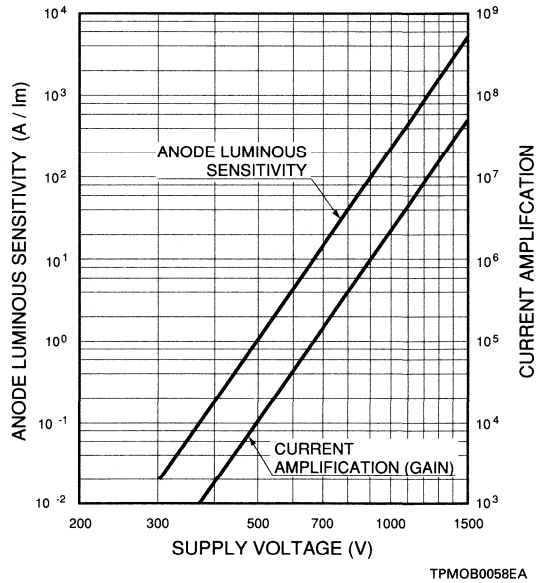


Figure 3-11: Current amplification vs. supply voltage

3.3 Characteristics of Photomultiplier Tubes

This section describes important characteristics for photomultiplier tube operation and their evaluation methods, and photomultiplier tube usage.

3.3.1 Timing properties

The photomultiplier tube is a photodetector that has an exceptionally fast time response^{1)21)–25)}. The time response is primarily determined by the transit time required for the photoelectrons emitted from the photocathode to reach the anode while being multiplied and also the transit time difference between each photoelectron. Accordingly, fast response photomultiplier tubes are designed to have a spherical inner window and carefully engineered electrodes so that the transit time difference in the tube can be minimized.

Table 3-3 lists the timing characteristics of 2-inch diameter head-on photomultiplier tubes categorized by their dynode structure. As can be seen from the table, the linear-focused type exhibits the best timing properties, while the box-and-grid and venetian blind types provide rather poor properties. Therefore, fast response photomultiplier tubes usually employ linear-focused dynodes.

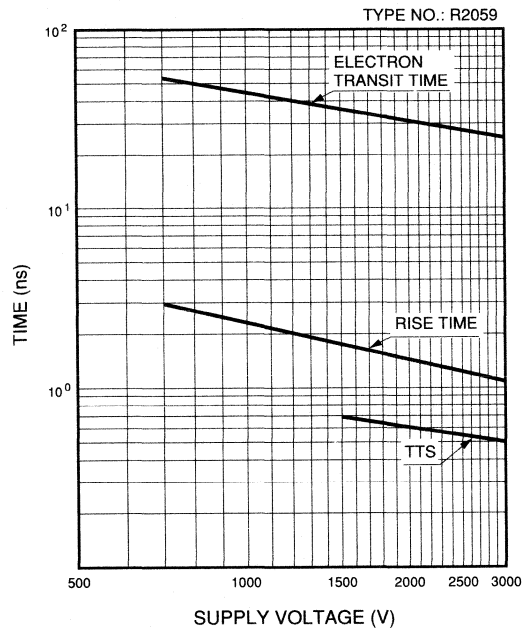
	Rise Time (ns)	Fall Time (ns)	Pulse Width (FWHM) (ns)	Electron Transit Time (ns)	TTS (ns)
Linear-focused	0.7 to 3	1 to 10	1.3 to 5	16 to 50	0.37 to 1.1
Circular-cage	3.4	10	7	31	3.6
Box-and-grid	7 or less	25	13 to 20	57 to 70	10 or less
Venetian Blind	7 or less	25	25	60	10 or less
Fine Mesh	2.5 to 2.7	4.0	5	15	0.9 or less

Table 3-3: Typical timing characteristics (2-inch dia. photomultiplier tubes)

The time response is mainly determined by the electrode structure, but also depends on the supply voltage. Increasing the electric field intensity or supply voltage improves the electron transit speed and thus shortens the transit time. In general, the time response improves in inverse proportion to the square root of the supply voltage. Figure 3-12 shows typical timing properties vs. supply voltage.

For the detection of high-speed phenomenon, wiring from the photomultiplier tube to external circuits such as a bleeder circuit and an anode signal processing circuit must be as short as possible to minimize stray capacitance and inductance. These circuit systems are discussed later in Chapter 7. In addition, some fast response photomultiplier tubes have a coaxial anode to suppress output waveform distortion.

The following explains definitions of timing properties and their measurement methods.



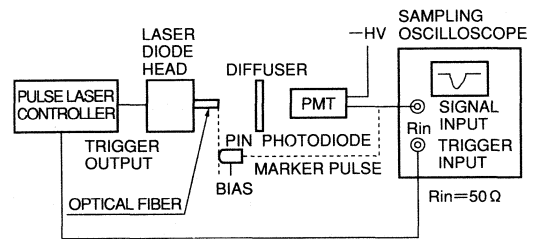
TPMOB0059EA

Figure 3-12: Time properties vs. supply voltage

(1) Rise time, fall time and electron transit time

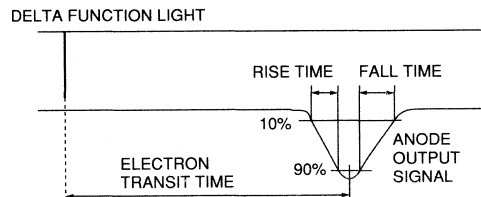
Figure 3-13 shows a schematic diagram for time response measurements and Figure 3-14 illustrates the definitions of the rise time, fall time and electron transit time of a photomultiplier tube output.

A pulsed laser diode is used as the light source. Its pulse width is 55 picoseconds (800 nanometers) which is sufficiently short compared to that attainable from a photomultiplier tube. Thus it can be regarded as a delta-function light source. A sampling oscilloscope is used to sample the photomultiplier tube output many times so that a complete output waveform is created. When measuring a photomultiplier tube with a bialkali photocathode, an SHG (second harmonic generator) is used to produce a light pulse with a wavelength of 400 nanometers which is twice the fundamental frequency of the light from the laser diode. At this point, the pulse width will be 30 picoseconds. The output pulse waveform obtained from the photomultiplier tube is composed of waveforms which



TPMOC0057EA

Figure 3-13: Block diagram for time property measurement



TPMOB0060EA

Figure 3-14: Definitions of rise time, fall time and transit time

are produced by electrons emitted from every position of the photocathode. Therefore, the rise and fall times are mainly determined by the electron transit time difference and also by the electric field distribution and intensity (supply voltage) between the electrodes.

As indicated in Figure 3-14, the rise time is defined as the time for the output pulse to increase from 10 to 90 percent of the peak pulse height. Conversely, the fall time is defined as the time required to decrease from 90 to 10 percent of the peak output pulse height. In time response measurements where the rise and fall times are critical, the output pulse tends to suffer waveform distortion, causing an erroneous signal. To prevent this problem, proper impedance matching must be provided including the use of a bleeder circuit with damping resistors. (See Chapter 7.)

Figure 3-15 shows an actual output waveform obtained from a photomultiplier tube. In general, the fall time is two or three times longer than the rise time. This means that when measuring repetitive pulses, care must be taken so that each output pulse does not overlap. The FWHM (full width at half maximum) of the output pulse will usually be about 2.5 times the rise time.

The transit time is the time interval between the arrival of a light pulse at the photocathode and the appearance of the output pulse. To measure the transit time, a PIN photodiode is placed as reference (zero second) at the same position as the photomultiplier tube photocathode. The time interval between the instant the PIN photodiode detects a light pulse and the instant the output pulse of the photomultiplier tube reaches its peak amplitude is measured. This transit time is a useful parameter in determining the delay time of a measurement system in such applications as fluorescence lifetime measurement using repetitive light pulses.

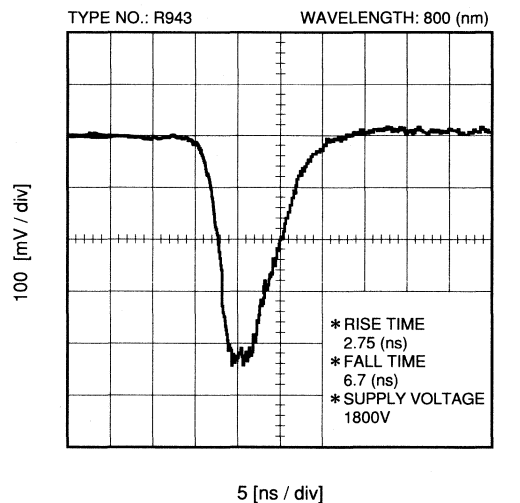
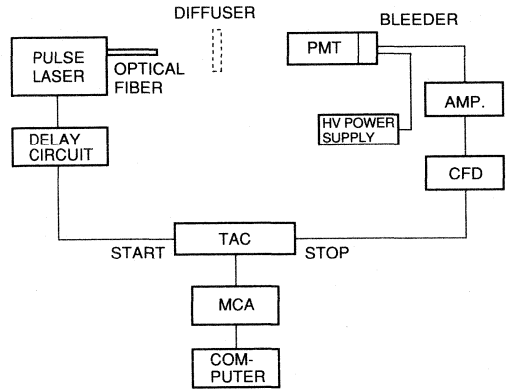


Figure 3-15: Example of output waveform

(2) TTS (transit time spread)

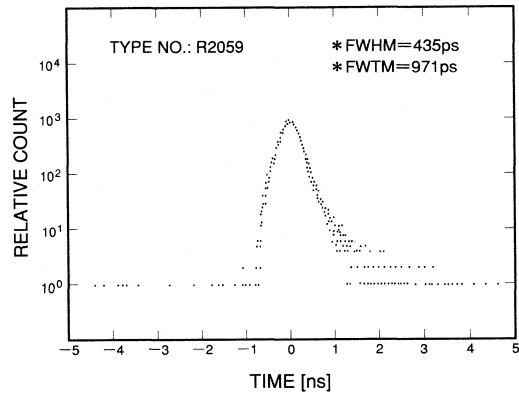
When a photocathode is fully illuminated, the transit time of each photoelectron pulse has a fluctuation. This fluctuation is called TTS (transit time spread). A block diagram for TTS measurement is shown in Figure 3-16 and typical measured data is shown in Figure 3-17.

In this measurement, a trigger signal from the pulsed laser is passed through the delay circuit and then fed as the start to the TAC (time-to-amplitude converter) which converts the time difference into pulse height. Meanwhile, the output from the photomultiplier tube is fed as the stop signal to the TAC via the CFD (constant fraction discriminator) which reduces the time jitter resulting from fluctuation of the pulse height. The TAC generates a pulse height proportional to the time interval between the “start” and “stop” signals. This pulse is fed to the MCA (multichannel analyzer) for pulse height analysis. Since the time interval between the “start” and “stop” signals corresponds to the electron transit time, a histogram displayed on the MCA, by integrating individual pulse height values many times in the memory, indicates the statistical spread of the electron transit time.



TPMOC0058EB

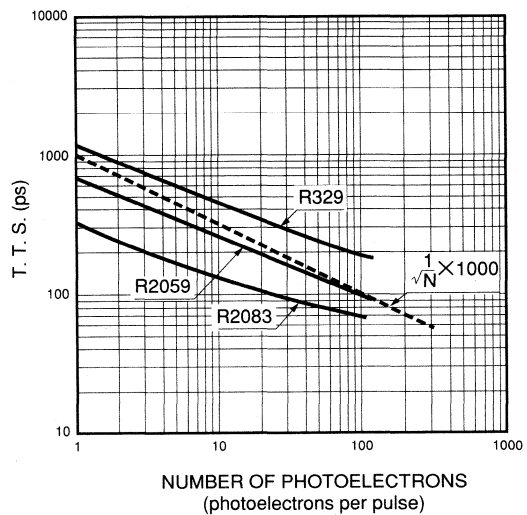
Figure 3-16: Block diagram for TTS measurement



TPMOB0126EA

Figure 3-17: Example of TTS

At Hamamatsu Photonics, the TTS is usually expressed in the FWHM of this histogram, but it may also be expressed in standard deviation. When the histogram shows a Gaussian distribution, the FWHM is equal to a value which is 2.35 times the standard deviation. The TTS improves as the number of photoelectrons per pulse increases, in inverse proportion to the square root of the number of photoelectrons. This relation is shown in Figure 3-18.

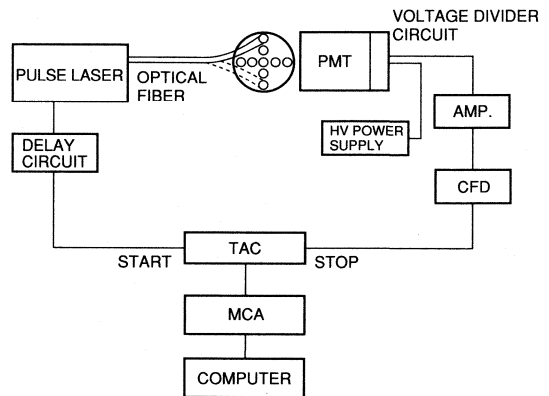


TPMHB0127EA

Figure 3-18: TTS vs. number of photoelectrons

(3) CTTD (cathode transit time difference)

The CTTD (cathode transit time difference) is the difference in transit time when the incident light position on the photocathode is shifted. In most time response measurements the entire photocathode is illuminated. However, as illustrated in Figure 3-19, the CTTD measurement employs an aperture plate to shift the position of a light spot entering the photocathode, and the transit time difference between each incident position is measured.



TPMOC0059EB

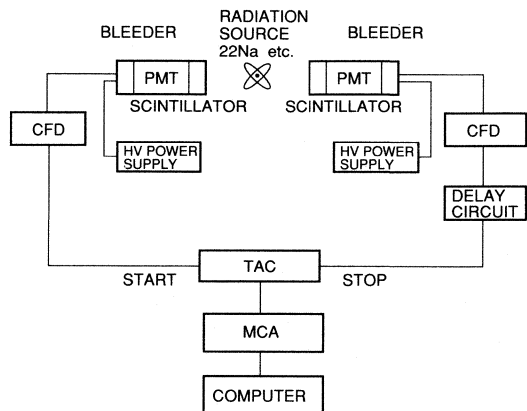
Figure 3-19: Block diagram for CTTD measurement

Basically, the same measurement system as for TTS measurement is employed, and the TTS histogram for each of the different incident light positions is obtained. Then the change in the peak pulse height of each histogram, which corresponds to the CTTD, is measured. The CTTD data of each position is represented as the transit time difference with respect to the transit time measured when the light spot enters the center of the photocathode.

In actual applications, the CTTD data is not usually needed but rather primarily used for evaluation in the photomultiplier tube manufacturing process. However, the CTTD is an important factor that affects the rise time, fall time and TTS described previously and also CRT (coincident resolving time) discussed in the next section.

(4) CRT (coincident resolving time)

As with the TTS, this is a measure of fluctuations in the transit time. The CRT measurement system resembles that used for positron CT (See Section 9.3.) or TOF (time of flight) measurement (See Section 9.7.). Therefore, the CRT is a very practical parameter for evaluating the performance of photomultiplier tubes used in the above fields or similar applications. Figure 3-20 shows a block diagram of the CRT measurement.



TPMOC0060EA

Figure 3-20: Block diagram for CRT measurement

As a radiation source ^{22}Na , $^{68}\text{Ge-Ga}$ or ^{60}Co is commonly used, while for the scintillator a

BGO, BaF_2 , CsF or plastic scintillator is used. A proper combination of radiation source and scintillator should be selected according to the application. The radiation source is placed in the middle of a pair of photomultiplier tubes and emits gamma-rays in opposing directions at the same time. A coincident flash occurs from each of the two scintillators

coupled to the photomultiplier tube. The signal detected by one photomultiplier tube is fed as the start signal to the TAC, while the signal from the other photomultiplier tube is fed as the stop signal to the TAC via the delay circuit used to obtain proper trigger timing. Then, as in the case of the TTS measurement, the output pulse from the TAC is analyzed by the MCA and this operation is repeated many times so that a CRT spectrum is created. This spectrum statistically displays the time fluctuation of the signals that enter the TAC. This fluctuation mainly results from the TTS of the two photomultiplier tubes. As can be seen from Figures 3-12 and 3-18, the TTS is inversely proportional to the square root of the number of photoelectrons per pulse and also to the square root of the supply voltage. In general, therefore, the higher the radiation energy and the supply voltage, the better the CRT will be. If the TTS of each photomultiplier tube is τ_1 and τ_2 , the CRT is given by

$$\text{CRT} = (\tau_1^2 + \tau_2^2)^{1/2} \dots\dots\dots(\text{Eq. 3-10})$$

The CRT characteristic is an important parameter for TOF measurements because it affects the position resolution.

3. 3. 2 Linearity

The photomultiplier tube provides good linearity⁽¹⁾⁽²²⁾⁽²⁵⁾⁽²⁶⁾ in anode output current over a wide range of incident light levels including the photon counting region. In other words, it offers a wide dynamic range. However, if the incident light amount is too large, the output begins to deviate from the ideal linearity. This is primarily caused by anode linearity characteristics, but it may also be affected by cathode linearity characteristics when a photomultiplier tube with a transmission mode photocathode is operated at a low supply voltage and large current. Both cathode and anode linearity characteristics are dependent only on the current value if the supply voltage is constant, while being independent of the incident light wavelength.

(1) Cathode linearity

Photocathode Materials	Characteristic	Spectral Response (Peak Wavelength) (nm)	Saturation Current
Ag-O-Cs		300 to 1200 (800)	1 μ A
Sb-Cs		650 or shorter (440)	1 μ A
Sb-Rb-Cs/ Sb-K-Cs		650 or shorter (420)	0.1 μ A/ 0.01 μ A
Sb-Na-K		650 or shorter (375)	10 μ A
Sb-Na-K-Cs		850 or shorter (420) 900 (600) extended red	10 μ A
Ga-As		930 or shorter (300 to 700)	0.1 μ A (*)
Cs-Te		320 or shorter (210)	0.1 μ A
Cs-I		200 or shorter (140)	

(*) If a current exceeding this value flows, characteristics deteriorate.

Table 3-4: Photocathode materials and cathode linearity limits

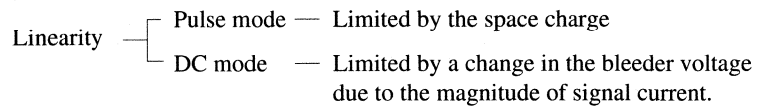
The photocathode is a semiconductor and its electrical resistance depends on the photocathode materials. As listed in Table 3-4, therefore, the cathode linearity also differs depending on the photocathode materials. It should be noted that Table 3-4 shows characteristics only for transmission mode photocathodes. In the case of reflection mode photocathodes which are formed on a metal plate and thus have a sufficiently low resistivity, the linearity will not be a significant problem. To reduce the effect of photocathode

resistivity on the linearity without degrading the collection efficiency, it is generally recommended to apply a voltage of more than 100 volts between the photocathode and the first dynode. (Refer to Section 3.2.2.) For semiconductors, the photocathode surface resistivity increases as the temperature decreases. Thus, consideration must be given to the temperature characteristics of the photocathode resistivity when cooling the photomultiplier tube.

(2) Anode linearity

The anode linearity is limited by two factors: the bleeder circuit and space charge effects due to a large current flowing in the dynodes.

As shown below, the linearity in DC mode operation is mainly limited by the bleeder circuit, while the pulse mode operation is limited by space charge effects.



The linearity limit caused by the bleeder circuit is described in Chapter 7. The pulse linearity is chiefly dependent on the peak anode current. When an intense light pulse enters a photomultiplier tube, a large current flows in the latter dynode stages, increasing the space charge density, as a result current saturation occurs. The extent of these effects depends on the dynode structure, as indicated in Table 3-2. The space charge effects also depend on the electric field distribution and intensity between each dynode. The mesh type dynodes offer superior linearity because they have a structure resistant to the space charge effects. Each dynode is arranged in close proximity providing a higher electric field strength and the dynode area is large so that the signal density per unit area is lower.

In general, any dynode type provides better linearity when the supply voltage is increased, or in other words, when the electric field strength between each dynode is enhanced.

Figure 3-21 shows the relationship between the linearity and the anode peak current with the supply voltage as a parameter for a Hamamatsu photomultiplier tube R2059. The linearity can be improved by use of a special bleeder (called "a tapered bleeder") designed to increase the interstage voltages at the latter dynode stages. Because such a tapered bleeder must have an optimum electric field distribution and intensity that match each dynode, determining the proper voltage distribution ratio is not simple but a rather complicated operation.

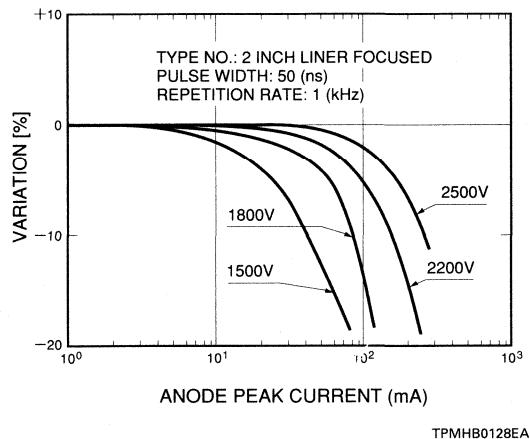


Figure 3-21: Voltage dependence of linearity

(3) Linearity measurement

The linearity measurement methods include the DC mode and the pulse mode. Each mode is described below.

(a) DC mode

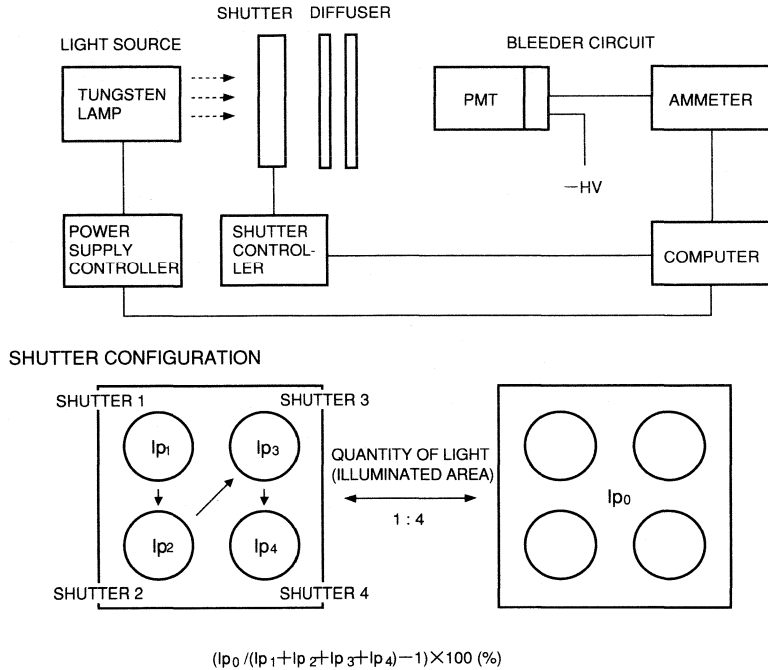


Figure 3-22: Block diagram for DC mode linearity measurement

This section introduces the DC linearity measurement method used by Hamamatsu Photonics. As Figure 3-22 shows, an aperture plate with four apertures equipped with shutters is installed between the light source and the photomultiplier tube. Each aperture is opened in the order of 1, 2, 3 and 4, finally all four apertures are opened, and the photomultiplier tube outputs are measured (as I_{p1} , I_{p2} , I_{p3} , I_{p4} and I_{p0} , respectively). Then the ratio of I_{p0} to $(I_{p1}+I_{p2}+I_{p3}+I_{p4})$ is calculated as follows:

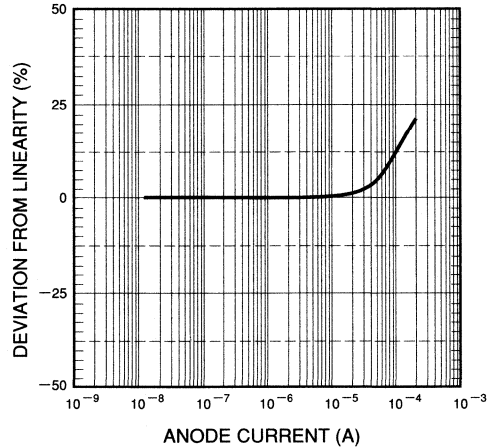
$$(I_{p0} / (I_{p1} + I_{p2} + I_{p3} + I_{p4}) - 1) \times 100 (\%) \dots\dots\dots(\text{Eq. 3-11})$$

This value represents a deviation from linearity and if the output is within the linearity range, I_{p0} becomes

$$I_{p0} = I_{p1} + I_{p2} + I_{p3} + I_{p4} \dots\dots\dots(\text{Eq. 3-12})$$

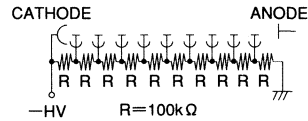
Repeating this measurement by changing the intensity of the light source (i.e. changing the photomultiplier tube output current) gives a plot as shown in Figure 3-23. This indicates an output deviation from linearity. This linearity measurement greatly depends on the magnitude of the current flowing through the bleeder circuit and its structure.

As a simple method, linearity can also be measured using neutral density filters which are calibrated in advance for changes in the incident light level.



EXAMPLE OF SIDE-ON TYPE

○ VOLTAGE DISTRIBUTION RATIO (1 · 1 · · · 1 · 1 · 1)



TPMSB0047EA

Figure 3-23: DC linearity

(b) Pulse mode

A simplified block diagram for the pulse mode linearity measurement is shown in Figure 3-24. In this measurement, an LED operated in a double-pulsed mode is used to provide higher and lower pulse amplitudes alternately. The higher and lower pulse amplitudes are fixed at a ratio of approximately 4:1. If the photomultiplier tube outputs in response to the higher and lower pulsed light at sufficiently low light levels, the peak currents are I_{p02} and I_{p01} respectively, then the ratio of I_{p02}/I_{p01} is proportional to the pulse amplitude; thus

$$I_{p02} / I_{p01} = 4 \dots\dots\dots (Eq. 3-13)$$

When the LED light sources are brought close to the photomultiplier tube (See Figure 3-24.) and the subsequent output current increases, the photomultiplier tube output begins to deviate from linearity. If the output for the lower pulsed light (A_1) is I_{p1} and the output for the higher pulsed light (A_2) is I_{p2} , saturation will usually occur first to the output current I_{p2} . Thus the ratio between the two output pulses has the following relation:

$$I_{p2} / I_{p1} < I_{p02} / I_{p01} \dots\dots\dots (Eq. 3-14)$$

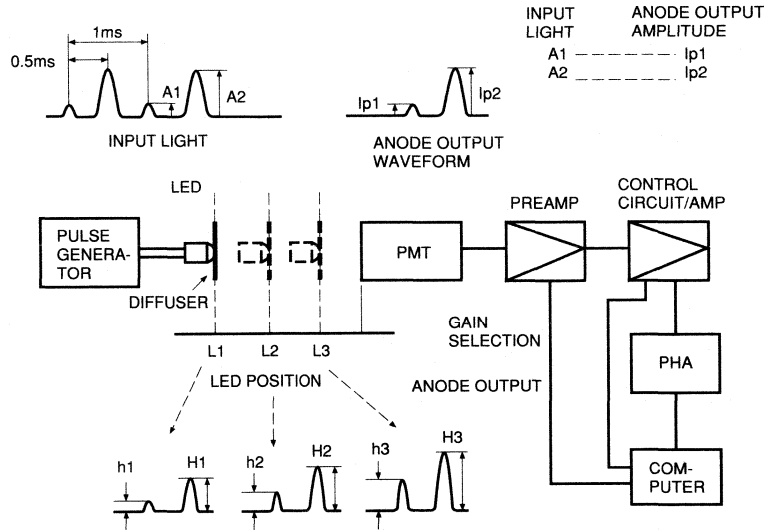
By measuring the ratio between the two outputs of the photomultiplier tube, produced by the two different intensities of pulsed light, I_{p2}/I_{p1} , it is possible to measure the linearity as follows:

$$\frac{(I_{p2} / I_{p1}) - (I_{p02} / I_{p01})}{(I_{p02} / I_{p01})} \times 100 (\%) \dots\dots\dots (Eq. 3-15)$$

This indicates the extent of deviation from linearity at the anode output I_{p2} . If the anode output is in the linearity range. The following relation is established:

$$(I_{p2} / I_{p1}) = (I_{p02} / I_{p01}) \dots\dots\dots(\text{Eq. 3-16})$$

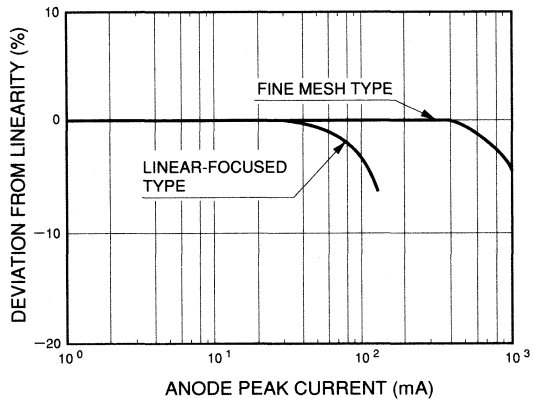
Under these conditions, Eq. 3-15 becomes zero.



TPMOC0062EA

Figure 3-24: Block diagram for pulse mode linearity measurement

By repeating this measurement while varying the distance between the LED light source and the photomultiplier tube so as to change the output current of the photomultiplier tube, linearity curves like those shown in Figure 3-25 can be obtained. There are several other methods for measuring linearity, the above methods are just examples.



TPMHB0129EA

Figure 3-25: Pulse linearity

3. 3. 3 Uniformity

Uniformity is the variation of the output sensitivity with respect to the photocathode position. Anode output uniformity is thought to be the product of the photocathode uniformity and the electron multiplier (dynode section) uniformity.

Figure 3-26 shows anode uniformity data measured at wavelengths of 400 nanometers and 800 nanometers. This data is obtained with a light spot of 1mm diameter scanned over the photocathode surface.

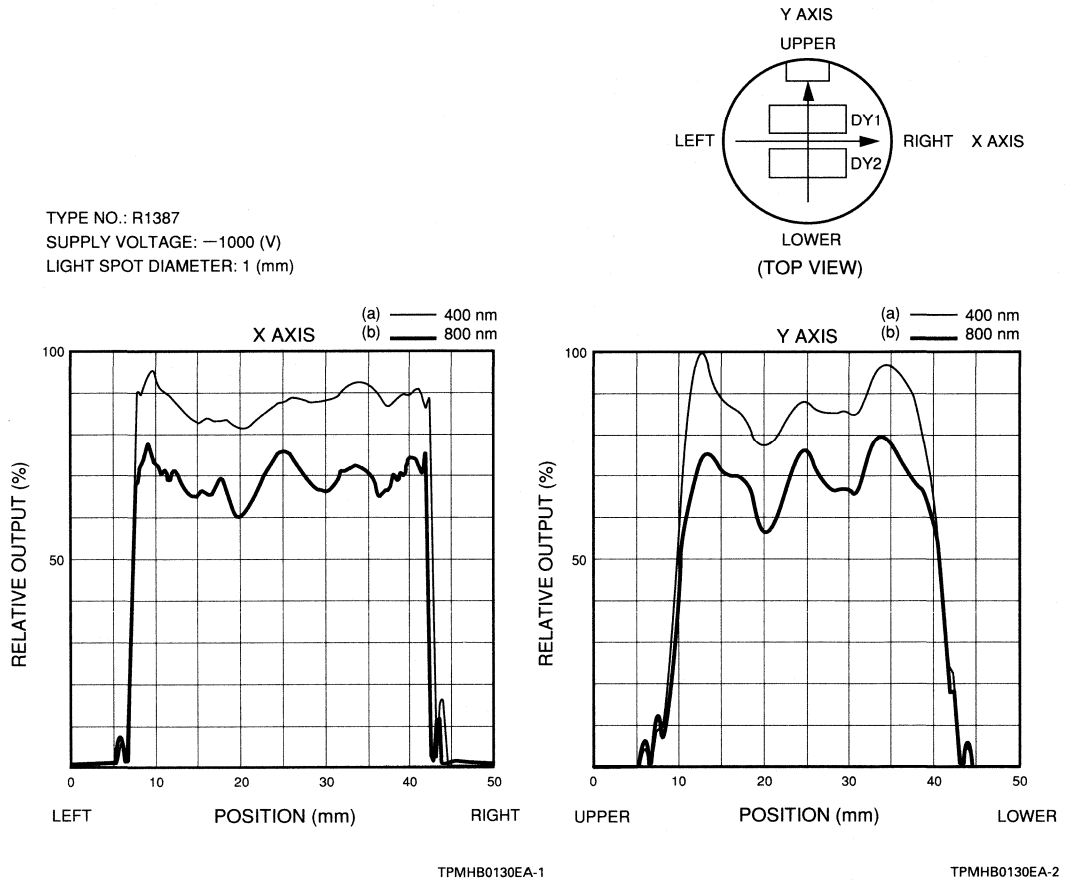
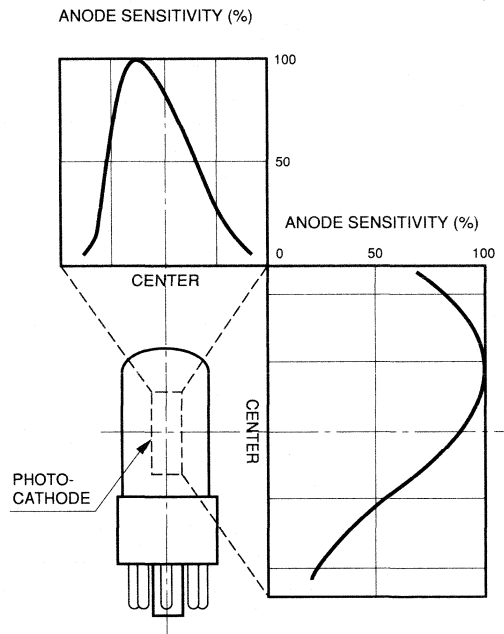


Figure 3-26: Difference of uniformity with wavelength

In general, both photocathode uniformity and anode uniformity deteriorate as the incident light shifts to a longer wavelength, and especially as it approaches the long-wavelength limit. This is because the cathode sensitivity near the long-wavelength limit greatly depends on the surface conditions of the photocathode and thus fluctuations increase. Moreover, if the supply voltage is too low, the electron collection efficiency between dynodes may degrade and adversely affect uniformity. It is therefore necessary to apply more than 100 volts between the photocathode and the first dynode, and more than 50 volts between each dynode.

Head-on photomultiplier tubes provide better uniformity in comparison with side-on types. In such applications as gamma cameras (See Section 9.2.) used for medical diagnosis where good position detecting ability is demanded, uniformity is an important parameter in determining equipment performance. Therefore, the photomultiplier tubes used in this field are specially designed and selected for better uniformity. Figure 3-27 shows typical uniformity data for a side-on tube. The same measurement procedure as for head-on tubes is used. Uniformity is also affected by the dynode structure. As can be seen from Table 3-2, the box-and-grid type, venetian blind type and mesh type offer better uniformity.

Considering actual photomultiplier tube usage, uniformity is evaluated by two methods: one measured with respect to the position of incidence (spatial uniformity) and one with respect to the angle of incidence (angular response). The following sections explain their measurement procedures and typical characteristics.

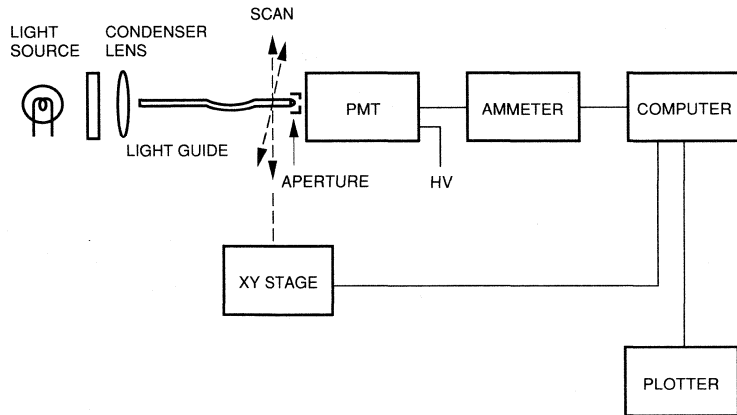


TPMSB0048JA

Figure 3-27: Uniformity of a side-on photomultiplier tube

(1) Spatial uniformity

To measure spatial uniformity, a light spot is scanned in two-dimensions over the photocathode of a photomultiplier tube and the variation in output current is graphically displayed. Figure 3-28 shows a schematic diagram for the spatial uniformity measurement.

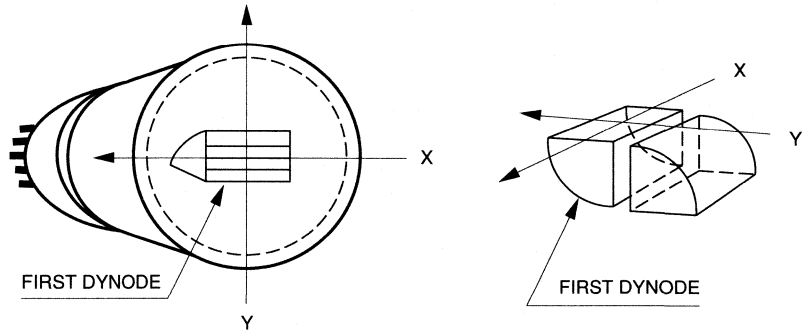


TPMOC0063EA

Figure 3-28: Schematic diagram for spatial uniformity measurement

For convenience, the photocathode is scanned along the X-axis and Y-axis. The direction of the X-axis or Y-axis is determined with respect to the orientation of the first dynode as shown in Figure 3-29.

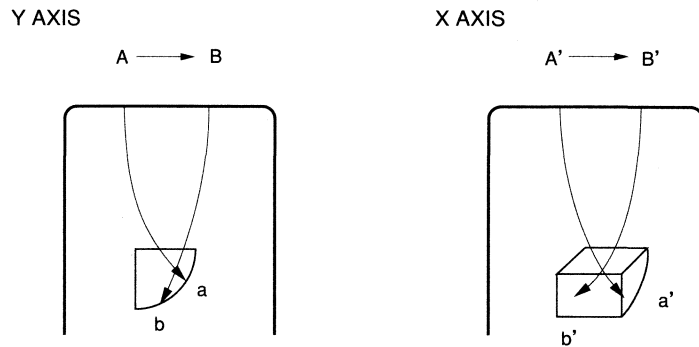
The degree of loss of electrons in the dynode section significantly depends on the position of the first dynode on which the photoelectrons strike. Refer to Figure 3-26 for specific uniformity data.



TPMHB0131EA

Figure 3-29: Spatial uniformity measurement for head-on types

While the photocathode is scanned by the light spot, the emitted photoelectrons travel along the X-axis or Y-axis of the first dynode as shown in Figure 3-30.



TPMHC0053EA

Figure 3-30: Position of photoemission and the related position on the first dynode

This method for measuring spatial uniformity is most widely used because the collective characteristics can be evaluated in a short time.

In some cases, spatial uniformity is measured by dividing the photocathode into a grid pattern, so that sensitivity distribution is displayed in two or three dimensions.

The spatial uniformity in anode output ranges from 20 to 40 percent for head-on tubes, and may exceed those values for side-on tubes. To minimize the influence of the uniformity, placing a diffuser in front of the input window of a photomultiplier tube or using a photomultiplier tube with a frosted glass window will prove effective.

(2) Angular response

Photomultiplier tube sensitivity somewhat depends on the angle of incident light on the photocathode. This dependence on the angle of incidence is called the angular response^{26)–28)}. To measure the angular response, the entire photocathode is illuminated with collimated light, and the output current is measured while rotating the photomultiplier tube. A schematic diagram for the angular response measurement is shown in Figure 3-31 and specific data is plotted in Figure 3-32. As the tube is rotated, the projected area of the photocathode is reduced. This means that the output current of a tube, even outputs having no dependence on the angle of incidence, are plotted as a cosine curve. Commonly, the photocathode sensitivity improves at larger angles of incidence and thus the output current is plotted along a curve showing higher sensitivity than the cosine ($\cos \theta$) curve. This is because the incident light transmits across a longer distance at large angles of incidence. In addition, this increase in sensitivity usually becomes larger at longer wavelengths.

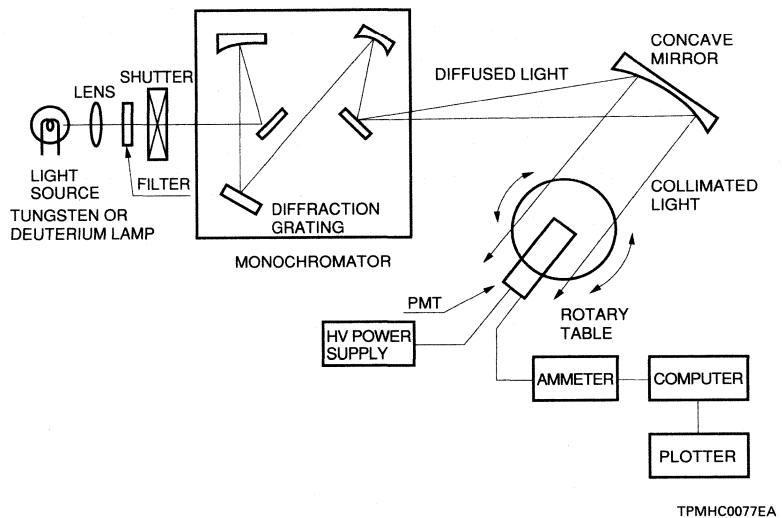


Figure 3-31: Schematic diagram for angular response measurement

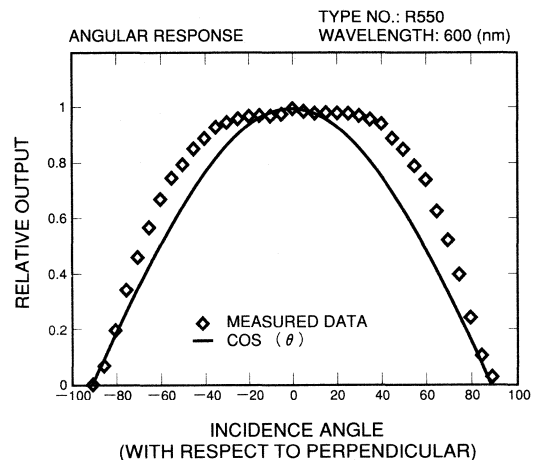


Figure 3-32: Typical angular response

3.3.4 Stability

The output variation of a photomultiplier tube with operating time is commonly termed as “drift” or “life” characteristics. On the other hand, the performance deterioration resulting from the stress imposed by the supply voltage, current, and ambient temperature is called “fatigue” .

(1) Drift (time stability) and life characteristics

Variations (instability) over short time periods are mainly referred to as drift¹⁾²⁹⁾, while variations (instability) over spans of time longer than 10^3 to 10^4 hours are referred to as the life characteristics. Since the cathode sensitivity of a photomultiplier tube exhibits good stability even after long periods of operating time, the drift and life characteristics primarily depend on variations in the secondary emission ratio. In other words, these characteristics indicate the extent of gain variation with operating time.

Drift per unit time generally improves with longer operating time and this tendency continues even if the tube is left unused for a short time after operation. It is therefore instrumental to perform aging or warm-up of the tube to stabilize the drift.

At Hamamatsu Photonics, drift is usually measured in the DC mode by illuminating a photomultiplier tube with a continuous light and recording the output current with the operating time. Figure 3-33 shows specific drift data for typical Hamamatsu photomultiplier tubes. In most cases, the drift of a photomultiplier tube tends to vary largely during initial operation and stabilizes as operating time elapses. In pulsed or intermittent operation (cyclic on/off operation), the drift shows a variation pattern similar to those obtained with continuous light if the average output current is of the same level as the output current in the DC mode.

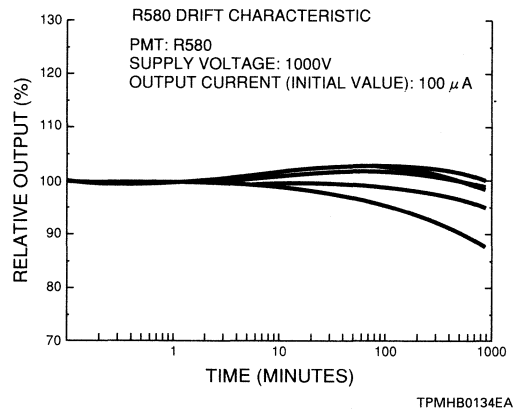


Figure 3-33: Examples of drift data

In addition, there are other methods for evaluating the drift and life characteristics, which are chiefly used for photomultiplier tubes designed for scintillation counting. For more details refer to Section 3.5, “Scintillation counting” .

(2) Aging and warm-up

In applications where output stability within several percent is required, it is necessary to carry out aging or warm-up.

(a) Aging

Aging is a technique in which a photomultiplier tube is continuously operated for a period ranging from several hours to several tens of hours, with the anode output current not exceeding the maximum rating. Through this aging, drift can be effectively stabilized. In addition, if the tube is warmed up just before actual use, the drift will be further stabilized.

(b) Warm-up

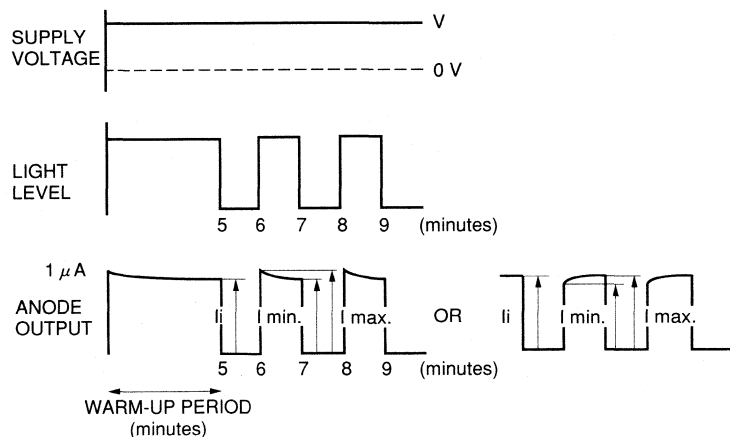
For stable operation of a photomultiplier tube, it is essential to warm up the tube for one to several hours. The warm-up period should be longer at the initial phase of photomultiplier tube operation, particularly in intermittent operation then, after a long period of operation warm up can be shortened. At a higher anode current the warm-up period can be shortened and at a lower anode current it should be longer. As one common method, the photomultiplier tube is operated at a voltage near the actual operating voltage and warmed up for about one hour with an anode current of several microamperes. However, in low current operation (average anode current: within one hundred up to several hundred nanoamperes), just applying a voltage to the photomultiplier tube prior to use for a period of one to two hours in the dark state serves as a warm-up to some extent.

3.3.5 Hysteresis

When the incident light or the supply voltage is changed in a step function, a photomultiplier tube may not produce an output comparable with the same step function. This phenomenon is known as "hysteresis"¹³⁰⁾. Hysteresis is observed as two behaviors: "overshoot" in which the output current first increases greatly and then settles and "undershoot" in which the output current first decreases and then returns to a steady level. Hysteresis is further classified into "light hysteresis" and "voltage hysteresis" depending on the measurement conditions. Some photomultiplier tubes have been designed to suppress hysteresis by coating the insulator surface of the electrode supports with a conductive material so as to minimize the electrostatic charge on the electrode supports without impairing their insulating properties.

(1) Light hysteresis

When a photomultiplier tube is operated at a constant voltage, it may exhibit a temporary variation in the anode output after the incident light is changed in a step function. This variation is called light hysteresis. Figure 3-34 shows the Hamamatsu test method for light hysteresis and typical hysteresis waveforms.



TPMOB0062EA

Figure 3-34: Light hysteresis

As shown in Figure 3-34, a photomultiplier tube is operated at a voltage V , which is 250 volts lower than the voltage used to measure the anode luminous sensitivity. The tube is warmed up for five minutes or more at a light level producing an anode current of approximately one microampere. Then the incident light is shut off for one minute and then input again for one minute. This procedure is repeated twice to confirm the reproducibility. By measuring the variations of the anode outputs, the extent of light hysteresis can be expressed in percent, as follows:

$$\text{Light hysteresis } H_L = \frac{(I_{\text{MAX}} - I_{\text{MIN}})}{I_i} \times 100(\%) \dots \dots \dots (\text{Eq. 3-17})$$

where I_{MAX} is the maximum output value, I_{MIN} is the minimum output value and I_i is the initial output value.

Table 3-5 shows typical hysteresis data for major Hamamatsu photomultiplier tubes. Since most photomultiplier tubes have been designed to minimize hysteresis, they usually only display a slight hysteresis within ± 2 percent. It should be noted that light hysteresis behaves in different patterns or values, depending on the magnitude of the output current.

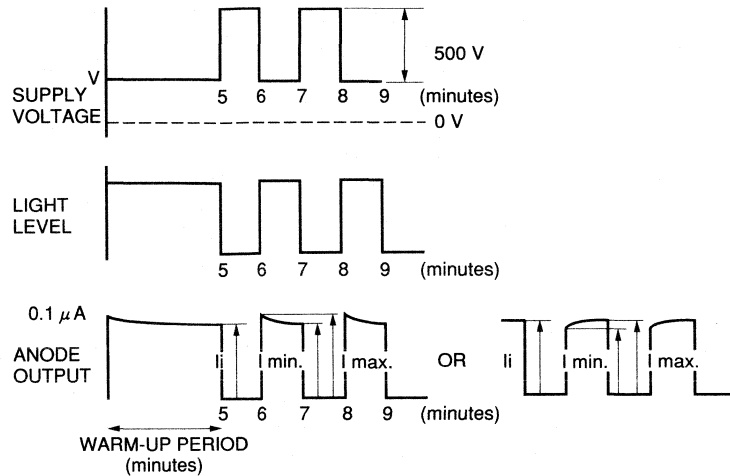
(2) Voltage hysteresis

When the incident light level cycles in a step function, the photomultiplier tube is sometimes operated with a feedback circuit that changes the supply voltage in a complimentary step function so that the photomultiplier tube output is kept constant. In this case, the photomultiplier tube output may overshoot or undershoot immediately after the supply voltage is changed. This phenomenon is called voltage hysteresis and should be suppressed to the minimum possible value. Generally, this voltage hysteresis is larger than light hysteresis and even tubes with small light hysteresis may possibly exhibit large voltage hysteresis. Refer to Table 3-5 below for typical hysteresis data.

PMT	Light Hysteresis (%)	Voltage Hysteresis (%)	Tube Diameter (mm)
R300	0.3	0.5	14, side-on
R212	0.2	1.0	30, side-on
R928	0.1	0.6	30, side-on
R647	0.9	2.5	14, head-on
R268	0.4	1.2	30, head-on
R1306	0.07	0.06	50, head-on

Table 3-5: Typical hysteresis data for Hamamatsu photomultiplier tubes

Figure 3-35 shows a procedure for measuring voltage hysteresis, commonly used by Hamamatsu Photonics. A photomultiplier tube is operated at a voltage V , which is 700 volts lower than the voltage used to measure the anode luminous sensitivity. The tube is warmed up for five minutes or more at a light level producing an anode current of approximately 0.1 microampere.



TPMOB0063EA

Figure 3-35: Voltage hysteresis

Then the incident light is shut off for one minute while the supply voltage is increased in 500 volt step. Then the light level and supply voltage are returned to the original conditions. This procedure is repeated to confirm the reproducibility. By measuring the variations in the anode outputs, the extent of voltage hysteresis is expressed in percent, as follows:

$$\text{Voltage hysteresis } H_V = (I_{\text{MAX}} - I_{\text{MIN}}) / I_i \times 100(\%) \dots \dots \text{(Eq. 3-18)}$$

where I_{MAX} is the maximum output value, I_{MIN} is the minimum output value and I_i is the initial output value.

In general, the higher the change in the supply voltage, the larger the voltage hysteresis will be. Other characteristics are the same as those for light hysteresis.

(3) Reducing the hysteresis

When a signal light is blocked for a long period of time, applying a dummy light to the photomultiplier tube to minimize the change in the anode output current is effective in reducing the possible light hysteresis. Voltage hysteresis may be improved by use of HA coating. (Refer to Section 8.8.2.)

3.3.6 Dark current

A small amount of current flows in a photomultiplier tube even when operated in a completely dark state. This output current is called the dark current¹⁾²⁾²³⁾³¹⁾ and ideally it should be kept as small as possible because photomultiplier tubes are used for handling minute amounts of light and current.

(1) Causes of dark current

Dark current may be categorized by cause as follows:

- (a) Thermionic emission current from the photocathode and dynodes
- (b) Leakage current (ohmic leakage) between the anode and other electrodes inside the tube and/or between the anode pin and other pins on the bulb stem
- (c) Photocurrent produced by scintillation from glass envelope or electrode supports

- (d) Field emission current
- (e) Ionization current from residual gases (ion feedback)
- (f) Noise current caused by cosmic rays, radiation from radioisotopes contained in the glass envelopes and environmental gamma rays

Dark current increases with an increasing supply voltage, but the rate of increase is not constant. Figure 3-36 shows a typical dark current vs. supply voltage characteristic.

This characteristic is related to three regions of the supply voltage: a low voltage region (a in Figure 3-36), a medium voltage region (b in Figure 3-36), and a high voltage region (c in Figure 3-36). Each region is largely controlled by the leakage current, thermionic emission, glass scintillation, field emission and glass or electrode support scintillation, respectively. In general, region b provides the best signal-to-noise ratio, so operating the photomultiplier tube in this region would prove ideal.

Noise³²⁾³³⁾³⁴⁾ originating from ion feedback³²⁾, cosmic rays and radioisotopes will sometimes be a problem in pulse operation.

Furthermore, when a photocathode is exposed to room illumination, the dark current will return to the original level by storing the tube in a dark state for one to two hours. However, if exposed to sunlight or extremely intense light (10000 lux or higher), the tube may be damaged to some extent and not recoverable. This should therefore be avoided. It is recommended that the photomultiplier tube be stored in a dark state before use.

The dark current data furnished with Hamamatsu photomultiplier tubes is measured after the tube has been stored in a dark state for 30 minutes. This "30-minute storage in a dark state" condition allows most photomultiplier tubes to approach the average dark current level attained after being stored for a long period in a dark state. This is also selected in consideration of work efficiency in measuring the dark current. If the tube is stored for a greater length of time in a dark state, the dark current will decrease further. The following sections explain each of the six causes of dark current listed above.

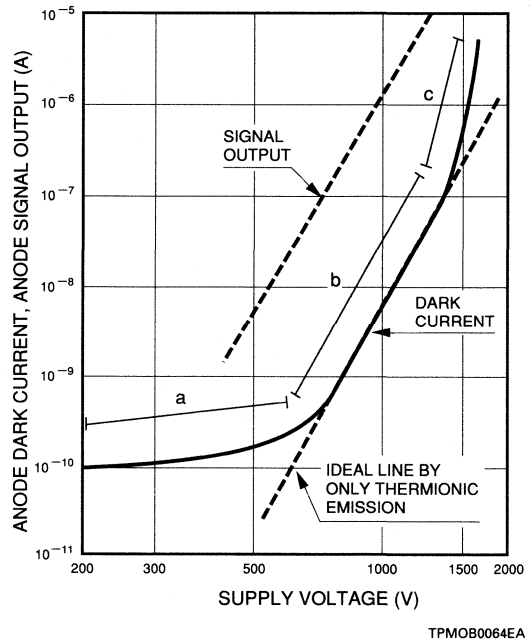


Figure 3-36: Typical dark current vs. supply voltage characteristic

a) Thermionic emission

Since the photocathode and dynode surfaces are composed of materials with a very low work function, they emit thermionic electrons even at room temperatures. This effect has been studied by W. Richardson, and is stated by the following equation³⁾³⁵⁾:

$$i_s = AT^{5/4} e^{(-e \psi / KT)} \dots\dots\dots (\text{Eq. 3-19})$$

where,

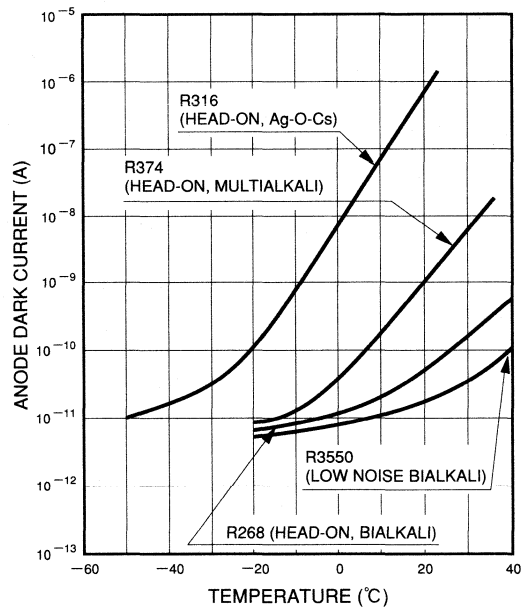
- ψ : work function
- e : electron charge
- K : Boltzmann constant
- T : absolute temperature
- A : constant

It can be seen from this equation that the thermionic emission is a function of the photocathode work function and absolute temperature. Thus the magnitude of the work function and the photocathode material govern the amount of thermionic emission. When the photocathode work function is low, the spectral response extends to the right with lower energy or longer wavelengths, but with an increase in the thermionic emission. In general, the Ag-O-Cs photocathode with a spectral response in the longest wavelength range (See Figure 3-1.) exhibits the highest dark current. In contrast, the photocathodes for the ultraviolet range (Cs-Te, Cs-I) with the shortest wavelength limit provide the lowest dark current.

Eq. 3-19 also implies that the dark current decreases with decreasing temperature. Therefore, as shown in Figure 3-37, cooling a photomultiplier tube is an effective technique for reducing the dark current.

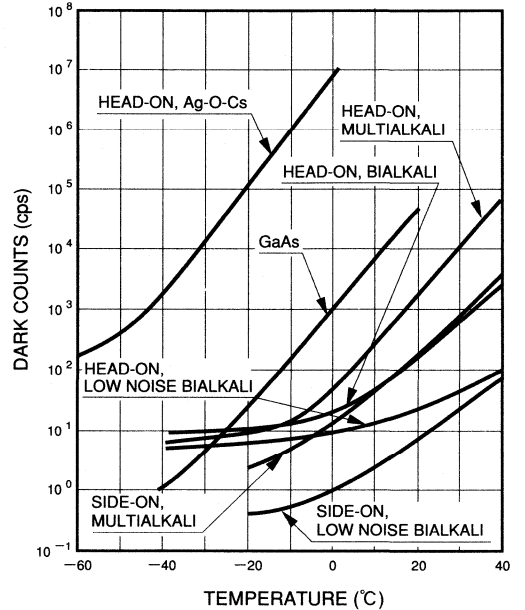
The dark current resulting from the thermionic emission can be considerably reduced by cooling. However, when the dark current reduces down to a level where the leakage current predominates, this effect becomes limited. Although thermionic emission occurs both from the photocathode and dynodes, the thermionic emission from the photocathode has a much larger effect on the dark current. This is because the photocathode is larger in size than each dynode and also because the dynodes, especially at the latter stages, contribute less to the output current. Consequently, the dark current caused by the thermionic emission vs. the supply voltage characteristic will be nearly identical with the slope of current amplification vs. supply voltage.

Figure 3-38 describes temperature characteristics for dark pulses measured in the photon counting method. In this case as well, the number of dark pulses decrease by cooling the photocathode.



TPMOB0065EA

Figure 3-37: Temperature characteristics of anode dark current



TPMOB0066EA-1

Figure 3-38: Temperature characteristics for dark current pulses

b) Leakage current (ohmic leakage)

Photomultiplier tubes are operated at high voltages from 500 up to 3000 volts, but they handle very low currents from several nanoamperes to less than 100 microamperes. Therefore, the quality of the insulating materials used in the tubes are very important. For instance, if the insulation resistance is around 10^{12} ohms, the leakage current may reach the nanoampere level. The relationship between the leakage current from the insulating materials and the supply voltage is determined by Ohm's law, i.e., current value (I) = supply voltage (V)/insulation resistance (R), regardless of the current amplification of the photomultiplier tube as seen in Figure 3-36. On the other hand, the dark current resulting from thermionic emission varies exponentially with the supply voltage. Thus, as mentioned in the previous section, the leakage current has relatively more effect on the dark current as the supply voltage is lowered.

A leakage current may be generated between the anode and the last dynode inside a tube. It may also be caused by imperfect insulation of the glass stem and base, and between the socket anode pin and other pins. Since contamination from dirt and moisture on the surface of the glass stem, base, or socket increases the leakage current, care should be taken to keep these parts clean and at low humidity. If contaminated, they can be cleaned with alcohol in most cases. This is effective in reducing the leakage current.

c) Scintillation from the glass envelope or electrode support materials

Some electrons emitted from the photocathode or dynodes may deviate from their normal trajectories and do not contribute to the output signal. If these stray electrons impinge on the glass envelope, scintillations may occur slightly and result in dark pulses. In general, a photomultiplier tube is operated with a negative high voltage applied to the photocathode and is housed in a metal case at ground potential. This arrangement tends to

cause stray electrons to impinge on the glass envelope. However, this problem can be minimized by a technique called "HA coating". Refer to Section 8.8.2 for further details on HA coating.

d) Field emission

If a photomultiplier tube is operated at an excessive voltage, electrons may be emitted from the electrodes by the strong electric field. Subsequently the dark current increases abruptly. This phenomenon occurs in region c in Figure 3-36 and shortens the life of the photomultiplier tube considerably. Therefore, the maximum supply voltage is specified for each tube type and must be observed. As long as a photomultiplier tube is operated within this maximum rating there will be no problem. But for safety, it is recommended that the tube be operated at a voltage 20 to 30 percent lower than the maximum rating.

e) Ionization current of residual gases (ion feedback)

The interior of a photomultiplier tube is kept at a vacuum as high as 10^{-6} to 10^{-5} pascals (about 10^{-7} Torr). Even so, there exist residual gases that cannot be ignored. The molecules of these residual gases may be ionized by collisions with electrons. The positive ions that strike the front stage dynodes or the photocathode produce many secondary electrons. Resulting in a large noise pulse. During high current operation, this noise pulse is usually identified as an output pulse appearing slightly after the main photocurrent. This noise pulse is therefore called an afterpulse⁽³⁶⁾⁽³⁷⁾⁽³⁸⁾ and may cause a measurement error in pulsed operation.

f) Noise current caused by cosmic rays, radiation from radioisotopes contained in the glass envelopes and environmental gamma rays

Many types of cosmic rays are always falling on the earth. Among them, muons (μ) can be a major source of photomultiplier tube noise. When muons pass through the glass envelope, Cherenkov radiation may occur, releasing a large number of photons. In addition, most glasses contain potassium oxide (K_2O) which also contains a minute amount of the radioactive element ^{40}K . ^{40}K may emit beta rays and result in noise. Furthermore, environmental gamma rays emitted from radioisotopes contained in buildings may be another noise source. However, because these dark noises occur much less frequently, they are negligible except for such cases as liquid scintillation counting where the number of signal counts is exceptionally small.

(2) Expression of dark current

Dark current is a critical factor that governs the lower detection limit in low light level measurements. There are various methods or terms used to express the dark current. The following introduces some of them.

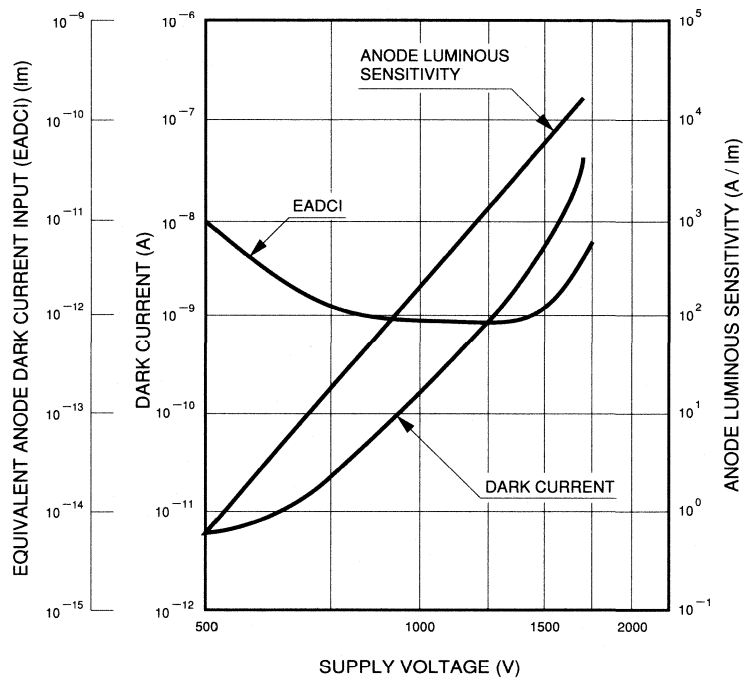
a) DC expression

In general, Hamamatsu photomultiplier tubes are supplied with the dark current data measured at a constant voltage. The dark current may be measured at a voltage that produces a certain anode sensitivity. In this case, the dark current is expressed in terms of equivalent dark current or EADCI (equivalent anode dark current input). The equivalent dark current is simply the dark current measured at the voltage producing a specific anode

luminous sensitivity, and is a convenient parameter when the tube is operated with the anode sensitivity maintained at a constant value. The EADCI is the value of the incident light flux required to produce an anode current equal to the dark current and is represented in units of lumens or watts as follows:

$$\text{EADCI(lm)} = \text{Dark current (A)} / \text{Anode luminous sensitivity (A/lm)} \dots (\text{Eq. 3-20})$$

When representing the EADCI in watts (W), a specified wavelength is selected and the dark current is divided by the anode radiant sensitivity (A/W) at that wavelength. Figure 3-39 illustrates an example of EADCI data along with the anode dark current and anode luminous sensitivity. A better signal-to-noise ratio can be obtained when the tube is operated in the supply voltage region with a small EADCI. It is obvious from this figure that the supply voltage region in the vicinity of 1000 volts displays a small, flat EADCI curve, yet offers an adequate anode sensitivity of three orders of magnitude.



TPMOB0040EA

Figure 3-39: Example of EADCI

b) AC expression

In low-level-light measurements, the DC components of dark current can be subtracted. The lower limit of light detection is determined rather by the fluctuating components or noise. In this case, the noise is commonly expressed in terms of ENI (equivalent noise input). The ENI is the value of incident light flux required to produce an output current equal to the noise current, i.e., the incident light level that provides a signal-to-noise ratio of unity. The ENI is usually expressed in units of watts (W) at the peak wavelength or at a specific wavelength or lumens (lm).

Because the noise is proportional to the square root of the circuit bandwidth, the ENI²¹⁾ is defined as follows:

$$ENI = (2e \cdot I_d \cdot \mu \cdot B)^{1/2} / S \text{ (W)} \dots\dots\dots \text{(Eq. 3-21)}$$

where

- e : electron charge (1.6×10^{-19} coulombs)
- I_d : anode dark current (A)
- μ : current amplification
- B : circuit bandwidth (Hz)
- S : anode radiant sensitivity (A/W) or anode luminous sensitivity (A/lm)

Commonly, $\Delta f=1\text{Hz}$ is used and the ENI value ranges from 10^{15} to 10^{-16} (W or lm) at the peak wavelength.

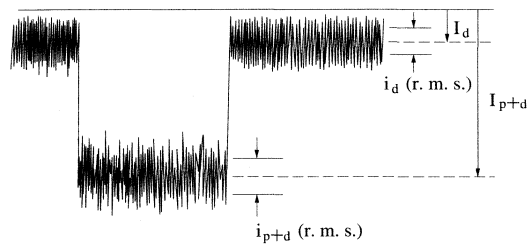
3. 3. 7 Signal-to-noise ratio of photomultiplier tubes

When observing the output waveform of a photomultiplier tube, two types of noise components can be seen: one is present even without light input, and the other is generated by the input of signal light. Normally, these noise components are governed by the dark current caused by the photocathode thermionic emission, and the shot noise resulting from the signal current, respectively. Both of these noise sources are discussed here.

The signal-to-noise ratio referred to in the following description is expressed in r.m.s. (root mean square).

When signal and noise waveforms like those shown in Figure 3-40 are observed, they can be analyzed as follows:

- Mean value of noise component : I_d
- AC component of noise : i_d (r.m.s.)
- Mean value of signal
(noise component included): I_{p+d}
- AC component of signal
(noise component included): i_{p+d} (r.m.s.)



TPMOB0041EA

Figure 3-40: Example of signal-to-noise ratio

Using these factors, the signal-to-noise ratio²³⁾³⁹⁾⁴⁰⁾ is given by

$$S/N \text{ ratio} = I_p / i_{p+d} \dots\dots\dots \text{(Eq. 3-22)}$$

where I_p is the mean value of the signal component only, which is obtained by subtracting I_d from I_{p+d} .

If the dark current I_d is low enough to be ignored ($I_p \geq I_d$), the signal-to-noise ratio will be

$$S/N \text{ ratio} \doteq I_p / i_p \dots\dots\dots \text{(Eq. 3-23)}$$

where I_p is the mean value of the signal component and i_p is the AC component (r.m.s.) of the signal. i_p consists of a component associated with the statistical fluctuation of photons and the photoemission process

and a component created in the multiplication process. The noise component produced in the multiplication process is commonly expressed in terms of the NF (noise figure). The NF is defined as follows:

$$NF = (S/N)_{in} / (S/N)_{out} \dots\dots\dots(Eq. 3-24)$$

where $(S/N)_{in}$ is the signal-to-noise ratio on the photomultiplier tube input side and $(S/N)_{out}$ is the signal-to-noise ratio on the photomultiplier tube output side. With a photomultiplier tube having n dynode stages, the NF from the cascade multiplication process is given by the following equation:

$$NF = (1/\alpha) \cdot (1 + 1/\delta_1 + 1/\delta_1\delta_2 + \dots + 1/\delta_1\delta_2 \dots \delta_n) \text{ (Eq. 3-25)}$$

where α is the collection efficiency (Refer to 3.2.2.), $\delta_1, \delta_2, \dots, \delta_n$ are the secondary emission ratios at each stage. With $\alpha=1$ and $\delta_1, \delta_2, \delta, \dots, \delta_n=\delta$, Eq. 3-25 is simplified as follows:

$$NF \doteq \delta / (\delta - 1) \dots\dots\dots(Eq. 3-26)$$

Thus by adding the NF to the AC component i_p , i_p is expressed by the following equation:

$$i_p = \mu \cdot (2 \cdot e \cdot I_k \cdot B \cdot NF)^{1/2} \dots\dots\dots(Eq. 3-27)$$

where μ is the current amplification, e is the electron charge, I_k is the cathode current and B is the bandwidth of the measurement system. From this equation and Eq. 3-25, i_p becomes

$$i_p = \mu \cdot \{ 2 \cdot e \cdot I_k \cdot B \cdot (1/\alpha) \cdot (1 + 1/\delta_1 + 1/\delta_1\delta_2 + \dots + 1/\delta_1\delta_2 \dots \delta_n) \}^{1/2} \dots\dots\dots(Eq. 3-28)$$

On the other hand, the average anode current I_p is expressed in the following equation:

$$I_p = I_k \cdot \alpha \cdot \mu \dots\dots\dots(Eq. 3-29)$$

From Eqs. 3-28 and 3-29, the signal-to-noise ratio becomes

$$\begin{aligned} S/N \text{ ratio} &= I_p / i_p \\ &= \left(\frac{I_k \alpha}{2eB} \cdot \frac{1}{1 + 1/\delta_1 + 1/\delta_1\delta_2 + \dots + 1/\delta_1\delta_2 \dots \delta_n} \right)^{1/2} \end{aligned}$$

This equation can be simplified using Eq. 3-26, as follows:

$$S/N \text{ ratio} \doteq \left(\frac{I_k}{2eB} \cdot \frac{1}{\delta / (\delta - 1)} \right)^{1/2} \dots\dots\dots(Eq. 3-30)$$

From this relationship, it is clear that the signal-to-noise ratio is proportional to the square root of the cathode current I_k and is inversely proportional to the square root of the bandwidth B .

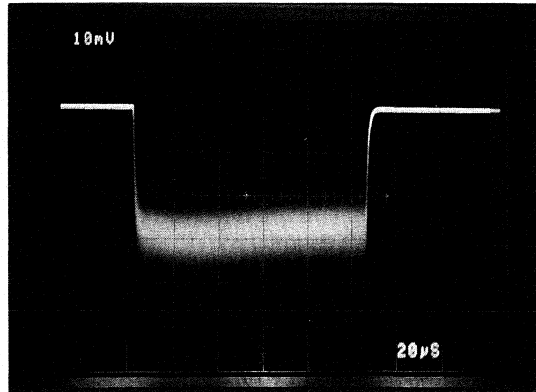
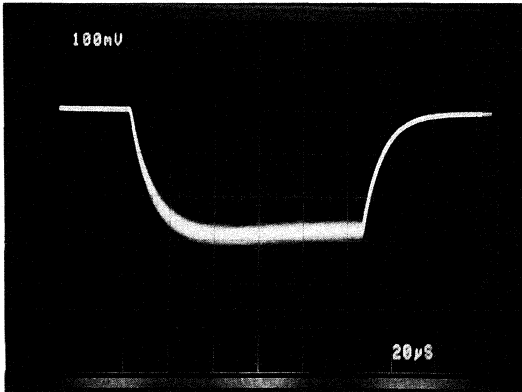
To obtain a better signal-to-noise ratio, the shot noise should be minimized and the following points observed:

- (1) Use a photomultiplier tube that has as high a quantum efficiency as possible in the wavelength range to be measured.
- (2) Design the optical system for better light collection efficiency so that the incident light is guided to the photomultiplier tube with minimum loss.
- (3) Use a photomultiplier tube that has an optimum configuration for light collection.
- (4) Narrow the bandwidth as much as possible, as long as no problems occurs in the measuring system.

Figure 3-41 shows the output voltage waveforms obtained while the light level and load resistance are changed under certain conditions. These prove that the relation in Eq. 3-30 is correct.

(a) $R_L = 20k\Omega$

(b) $R_L = 2k\Omega$ (Bandwidth is 10 times wider than (a))



(c) Light level is 10 time higher than (b)

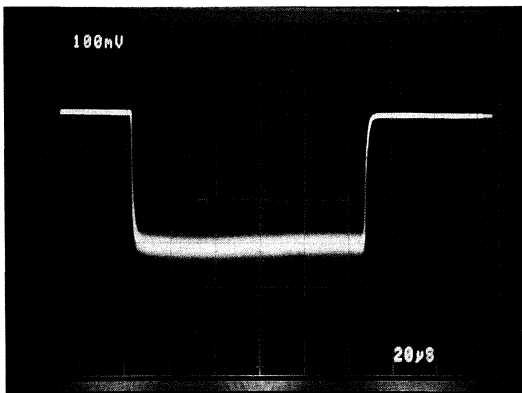


Figure 3-41: Change in the signal-to-noise ratio for R329 when the light level and load resistance are changed

By substituting $\delta = 6$ into Eq. 3-30, which is the typical secondary emission ratio of a normal photomultiplier tube, the value $\delta / (\delta - 1)$ will be 1.2, a value very close to 1. Consequently, if the noise in the multiplication process is disregarded, the signal-to-noise ratio can be rearranged as follows:

$$S/N \text{ ratio} = (I_k / 2eB)^{1/2} \doteq 1.75 \times 10^3 \sqrt{\frac{I_k (\mu A)}{B (\text{MHz})}} \dots\dots\dots (\text{Eq. 3-31})$$

In the above relationship however, the dark current is not involved. Taking into account the contribution of the dark current and the noise current of the amplifier circuit, the intrinsic signal-to-noise ratio will be as follows:

$$S/N \text{ ratio} = \frac{I_k}{(2eB \cdot \delta / (\delta - 1) \cdot (I_k + 2I_d) + N_A^2)^{1/2}} \dots\dots\dots (\text{Eq. 3-32})$$

In cases in which the noise of the amplifier circuit is negligible ($N_A = 0$), the signal-to-noise ratio becomes

$$S/N \text{ ratio} = \frac{I_k}{(2eB \cdot \delta / (\delta - 1) \cdot (I_k + 2I_d))^{1/2}} \dots\dots\dots (\text{Eq. 3-33})$$

where $I_k = \eta \cdot e \cdot P \cdot \lambda / hc$, and each symbol stands for the following:

I_k : cathode current	e : electron charge
λ : wavelength	h : Planck's constant
c : velocity of light	η : quantum efficiency
P : power	B : bandwidth
δ : secondary emission ratio	N_A : noise of amplifier circuit
I_d : dark current	

3.3.8 Afterpulsing

When a photomultiplier tube is operated in a pulse detection mode as in scintillation counting or in laser pulse detection, extraneous pulses with small amplitudes may be observed. Since these pulses appear after the main output pulse, in response to the signal pulse, they are called afterpulses.

There are two types of afterpulses: one is output with a very short delay (several nanoseconds to several tens of nanoseconds) after the signal pulse and the other appears with a longer delay ranging up to several microseconds, each being generated by different causes. In general, the latter pulses appearing with a delay of several microseconds are commonly referred to as afterpulses.

Most afterpulses with a short delay are caused by reflected electrons from the first dynode. These electrons, after approaching the photocathode, then return to the dynode section where they are multiplied and finally output from the anode. In addition, this type of afterpulse may result from weak light emissions generated within the photomultiplier tube, which return to the photocathode and create an erroneous output. In contrast, afterpulses with a longer delay are caused by the ionization of residual gases in the photomultiplier tube. Of these, the positive ions return to the photocathode (ion feedback) where they produce many photoelectrons. The time delay of an afterpulse with respect to the main signal depends on the supply voltage for the photomultiplier tube.

Afterpulses vary with the operating conditions or physical stress imposed on the photomultiplier tube. For instance, aging a photomultiplier tube can reduce the afterpulsing. Conversely, if a photomultiplier tube is subjected to vibration or thermal stress at high temperatures, then residual gases on the components within the photomultiplier tube may be more frequently released, degrading the vacuum level and as a result, afterpulsing increases.

There are various methods for evaluating afterpulses, for example, measuring the relative amount of charge with respect to the main output pulse or measuring the ratio of the number of afterpulses to the number of main output pulses (the probability of occurrence).

3.3.9 Polarized-light dependence

Photomultiplier tube sensitivity may be affected by polarized light⁽⁴¹⁾⁽⁴²⁾. It is therefore necessary to take this characteristic into account when polarized light is to be measured. Also it should be noted that light may be polarized at such optical devices as a monochromator. When polarized light enters the photocathode of a photomultiplier tube, the photocathode reflectance varies with the angle of incidence. This effect is also greatly dependent on the polarization component as shown in Figure 3-42. In this figure, R_p is the polarization component parallel to the photocathode surface (P component) and R_s is the polarization component perpendicular to the photocathode surface (S component). It is clear that the photocathode reflectance varies with the angle of incidence. Because this figure shows the calculated examples with the assumption that the absorption coefficient at the photocathode is zero, the actual data will be slightly more complicated.

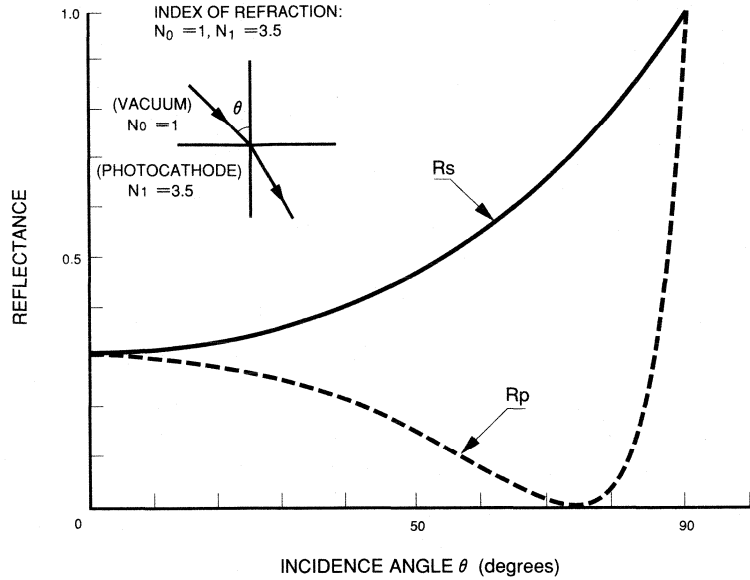


Figure 3-42: Angle dependence of reflectance

If the polarization plane of the incident light has an angle θ with respect to the perpendicular of the photocathode surface, the photocurrent I is given by the following expression:

$$I\theta = I_s \cos^2 \theta + I_p \sin^2 \theta = \frac{1}{2} (I_p + I_s) \left(1 - \frac{I_p - I_s}{I_p + I_s} \cdot \cos^2 \theta \right) \dots \text{(Eq. 3-34)}$$

where

- I_s : photocurrent produced by polarized component perpendicular to the photocathode
- I_p : photocurrent produced by polarized component parallel to the photocathode

while

$$I_0 = \frac{I_p + I_s}{2}, P = \frac{I_p - I_s}{I_p + I_s} \dots \text{(Eq. 3-35)}$$

then substituting Eq. 3-35 into Eq. 3-34 gives the following relationship

$$\theta = I_0 (1 - P \cdot \cos^2 \theta) \dots \text{(Eq. 3-36)}$$

P is called the polarization factor and indicates the polarized-light dependence of a photomultiplier tube, and is measured using the optical system like that shown in Figure 3-43.

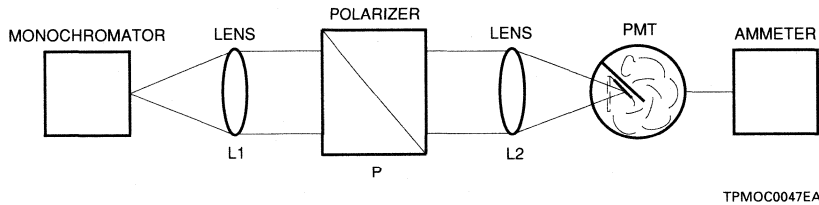


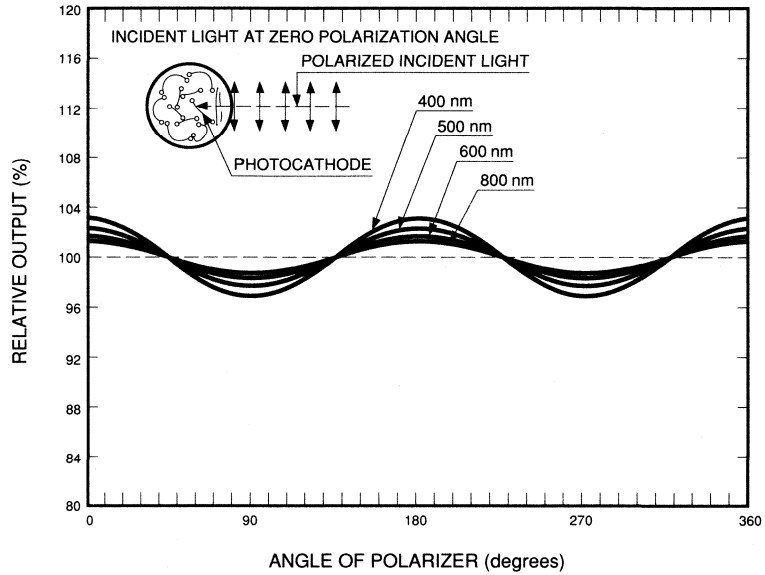
Figure 3-43: Optical system used for measuring polarized-light dependence

In the above measurement, monochromatic light from the monochromator is collimated by L_1 (collimator lens) and is linearly polarized by the polarizer (P). The polarized light is then focused onto the photomultiplier

tube through L_2 (condenser lens). The dependence on the polarized light is measured by recording the photomultiplier tube output in accordance with the rotating angle of the polarizer.

In this case, it is necessary to remove the polarization component of the light source. This is done by interposing a diffuser plate such as frosted glass or by compensating for the photomultiplier tube output values measured when the tube is at 0 degree and is then rotated to 90 degrees with respect to the light axis.

Figure 3-44 illustrates the polarized-light dependence of a side-on photomultiplier tube with a reflection type photocathode. In principle, this dependence exists when the light enters slantways with respect to the photocathode surface. In actual operation, the polarization factor P is almost zero when the light enters perpendicular to the photocathode surface.

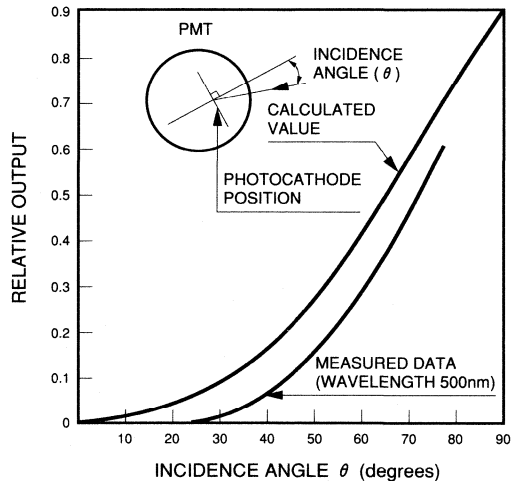


TPMSB0046EA

Figure 3-44: Typical polarization-light dependence of a side-on photomultiplier tube

In the case of reflection-type photocathode photomultiplier tubes, because the photocathode is arranged at a certain angle with respect to the input window, the sensitivity is affected by polarized light. Figure 3-45 indicates the relative output of a reflection-type photocathode photomultiplier tube as a function of the angle of incident light. It can be seen that the polarization factor P becomes smaller as the direction of the incident light nears the perpendicular of the photocathode surface.

The reflection-type photocathode photomultiplier tubes usually exhibit a polarization factor of about 10 percent or less, but tubes specially designed to minimize the polarization-light dependence offer three percent or less. A single crystal photocathode such as gallium arsenide (GaAs) has high reflectance and show a polarization factor of around 20 percent, which is higher than that of alkali antimonide photocathodes.



TPMOB0044EA

Figure 3-45: Relative output vs. incident angle of polarized light

The polarization that provides the maximum sensitivity is the component perpendicular to the tube axis (P component). In contrast, the polarization that gives the minimum sensitivity is the component parallel to the tube axis (S component), independent of the type of tube and wavelength of incident light. As can be seen from Figure 3-42, this is probably due to a change in the photocathode transmittance. The S component increases in reflectance as the angle of incidence becomes larger, whereas the P component decreases. Moreover, as the wavelength shifts to the longer side, the reflectance generally decreases and the polarization factor P becomes smaller accordingly, as shown in Figure 3-44.

In applications where the polarized-light dependence of a photomultiplier tube cannot be ignored, it will prove effective to place a diffuser such as frosted glass or tracing paper in front of the input window of the photomultiplier tube or to use a photomultiplier tube with a frosted window.

3.4 Photon Counting

Photon counting⁽²³⁾⁽³⁹⁾⁽⁴³⁾⁻⁵⁰⁾ is an effective technique used to detect very-low-level-light such as Raman spectroscopy, fluorescence analysis, and chemical or biological luminescence analysis where the absolute magnitude of the light is extremely low. This section describes the principles of photon counting, its operating methods, detection capabilities, and advantages as well as typical characteristics of photomultiplier tubes designed for photon counting.

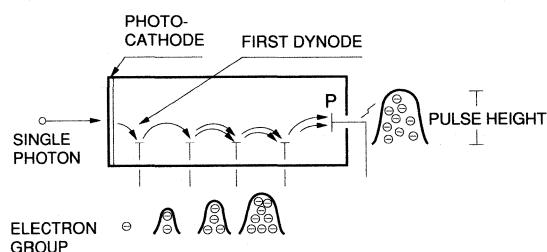
3.4.1 Analog and digital (photon counting) modes

The methods of processing the output signal of a photomultiplier tube can be divided broadly into analog and digital modes, depending on the incident light intensity and the bandwidth of the output processing circuit.

As Figure 3-46 shows, when light strikes the photocathode of a photomultiplier tube, photoelectrons are emitted. These photoelectrons are multiplied by the cascade process of secondary emission through the dynodes (normally 10^6 to 10^7 times) and finally reach the anode connecting with an output processing circuit.

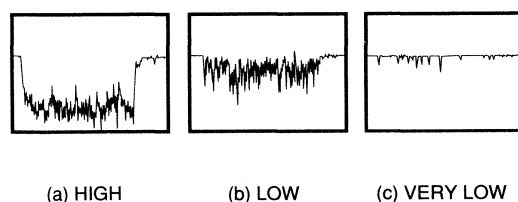
When observing the output signal of a photomultiplier tube with an oscilloscope while varying the incident light level, output pulses like those shown in Figure 3-47 are seen. At higher light levels, the output pulse intervals are narrow so that they overlap each other, producing an analog waveform (similar to (a) and (b) of Figure 3-47). If the light level becomes very low, the ratio of AC component (fluctuation) in the signal increases, and finally the output signal will be discrete pulses (like (c) of Figure 3-47). By discriminating these discrete pulses at a proper binary level, the number of the signal pulses can be counted in a digital mode. This is commonly known as photon counting.

In analog mode measurements, the output signal is the mean value of the signals including the AC components shown in Figure 3-47 (a). In contrast,



TPMOC0048EA

Figure 3-46: Photomultiplier tube operation in the photon counting mode



TPMOB0045EA

Figure 3-47: Photomultiplier tube output waveforms observed at different light levels

the photon counting method can detect each pulse shown in Figure 3-47 (c), thus the number of counted pulses equals the signal. This photon counting mode uses a pulse height discriminator that separates the signal pulses from the noise pulses, enabling high-precision measurement with a higher signal-to-noise ratio in comparison with the analog mode. Therefore photon counting is exceptionally effective in detecting low level light.

3. 4. 2 Principle of photon counting

When light incident on a photomultiplier tube becomes very low and reaches a state in which no more than two photoelectrons are emitted within the time resolution (pulse width) of the photomultiplier tube, this light level is called the single photoelectron region and photon counting is performed in this region. Quantum efficiency, an important parameter for photon counting, signifies the probability of photoelectron emission when a single photon strikes the photocathode.

In this single photoelectron region, the number of emitted electrons per photon is one or zero and the quantum efficiency can be viewed as the ratio of the number of photoelectrons emitted from the photocathode to the number of incident photons per unit time. The probability that the photoelectrons emitted from the photocathode (primary electrons) will impinge on the first dynode and contribute to current amplification is referred to as collection efficiency. Some photoelectrons may not contribute to current amplification because they deviate from the normal trajectories and are not collected by the first dynode. Additionally, in the photon counting mode, the ratio of the number of counted pulses (output pulses) to the number of incident photons is called detection efficiency or photomultiplier tube counting efficiency and is expressed by the following relation:

$$\text{Detection efficiency (counting efficiency) in the photon counting region} = (N_d / N_p) = \eta \times \alpha \dots (\text{Eq. 3-37})$$

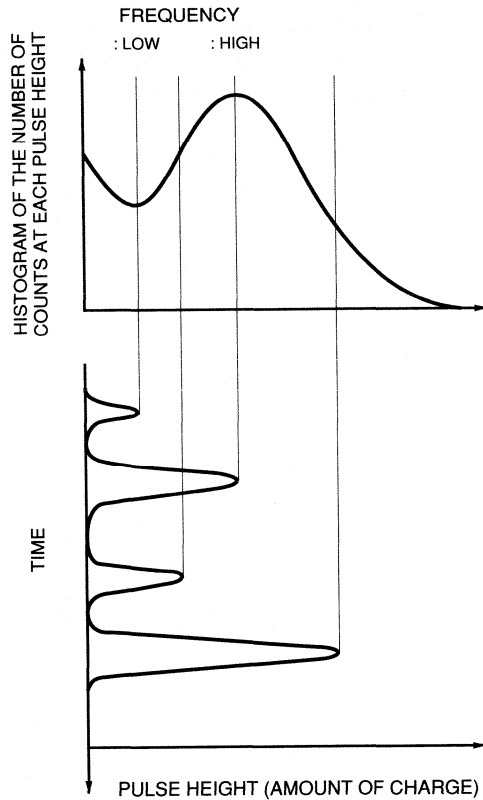
where N_d is the counted value, N_p is the number of incident photons, η is the quantum efficiency of the photocathode and α is the collection efficiency of the dynodes. The detection efficiency greatly depends on the threshold level used for binary processing.

The number of secondary electrons released from the first dynode is not constant. It is around several secondary electrons per primary electron, with a broad probability seen as a Poisson distribution. Therefore the average number of electrons per primary electron δ corresponds to the secondary-electron multiplication factor of the dynode. Similarly, this process is repeated through the second and subsequent dynodes until the final electron bunch reaches the anode. In this way the output multiplied in accordance with the number of photoelectrons from the photocathode appears at the anode. If the photomultiplier tube has n stage dynodes, the photoelectrons emitted from the photocathode are multiplied in cascade up to δ^n times and derived as an adequate electron bunch from the anode. In this process, each output pulse obtained at the anode exhibits a certain distribution in pulse height because of fluctuations in the secondary multiplication factor at each dynode (statistical fluctuation due to cascade multiplication), non-uniformity of multiplication depending on the dynode position and electrons deviating from their favorable trajectories. Figure 3-48 illustrates a histogram of photomultiplier tube output pulses. The abscissa indicates the pulse height and the anode output pulses are integrated with time. This graph is known as the pulse height distribution.

Figure 3-48 also shows the relation between the pulse height distribution and the actual output pulses obtained with a photomultiplier tube. The pulse height distribution is usually taken with a multichannel analyzer (MCA) frequently used in scintillation counting applications.

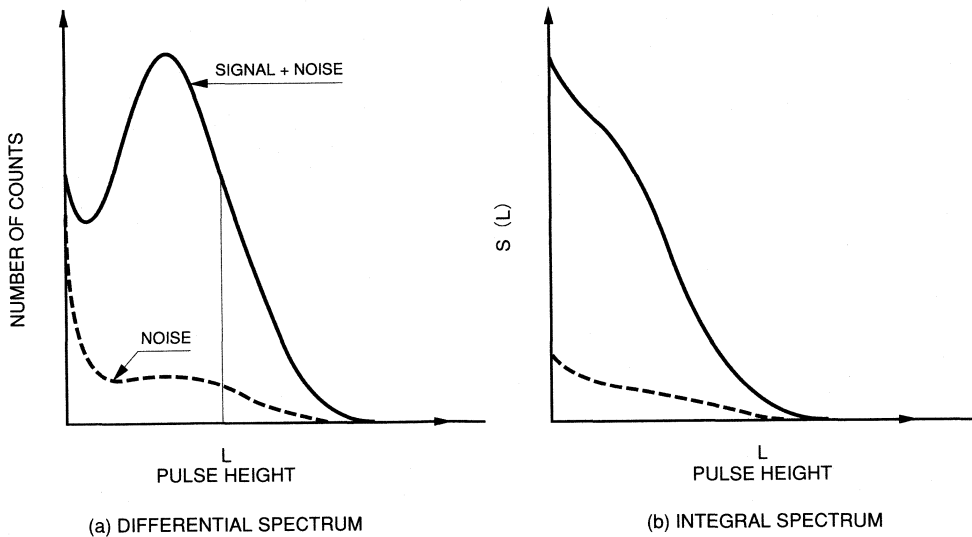
Figure 3-49 (a) shows examples of the pulse height distribution obtained with a photomultiplier tube. The output pulses are present even if no light falls on the photomultiplier tube. (These are called dark current pulses or noise pulses.) The broken line indicates the distribution of the dark current pulses, with a tendency to build up somewhat in the lower pulse height region (left side). These dark pulses mainly originate from the thermal electron emission at the photocathode and also at the dynodes. The thermal electrons from the dynodes are multiplied less than those from the photocathode and are therefore distributed in the lower pulse height region.

Figure 3-49 (b) indicates the distribution of the total number of counted pulses $S(L)$ with amplitudes greater than a threshold level L shown in (a). (a) and (b) have differential and integral relations to each other. Item (b) is a typical integral curve taken with a photon counting system using a photomultiplier tube.



TPMOC0049EA

Figure 3-48: Photomultiplier tube output and its pulse height distribution



TPMOB0046EA-1

TPMOB0046EA-2

Figure 3-49: Differential and integral representations of pulse height distribution

3.4.3 Operating method and characteristics for photon counting

This section discusses specific circuit configurations used to perform photon counting and the basic characteristics involved in photon counting.

(1) Circuit configuration

Figure 3-50 shows a typical circuit configuration for photon counting and a pulse waveform obtained at each circuit.

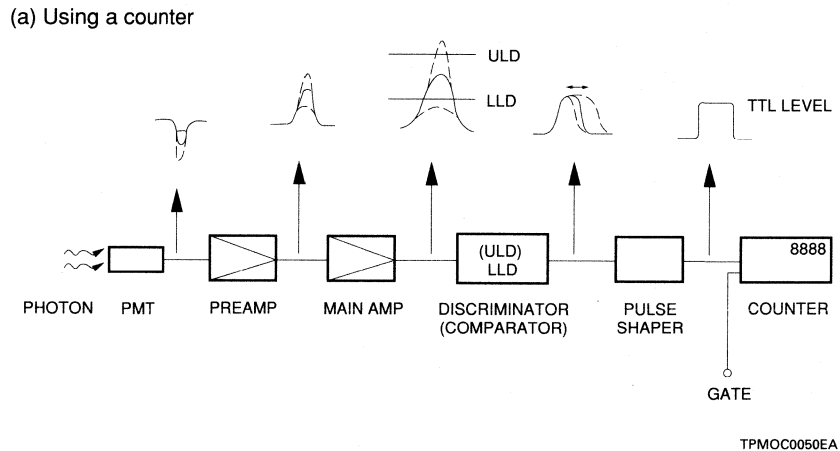


Figure 3-50: Circuit configuration for photon counting

In the above system, current output pulses from a photomultiplier tube are converted to a voltage by a wide-band preamplifier and amplified. These voltage pulse are fed to a discriminator and then to a pulse shaper. Finally the number of pulses is counted by a counter. The discriminator usually employs a comparator IC that compares the input voltage pulses with the preset reference voltage (threshold level) and eliminates those pulses with amplitudes lower than this value. In general, the LLD (lower level discrimination) level is set at the lower pulse height side. The ULD (upper level discrimination) level may also be often set at the higher pulse height side to eliminate noise pulses with higher amplitudes. The counter is usually equipped with a gate circuit, allowing measurement at different timings and intervals.

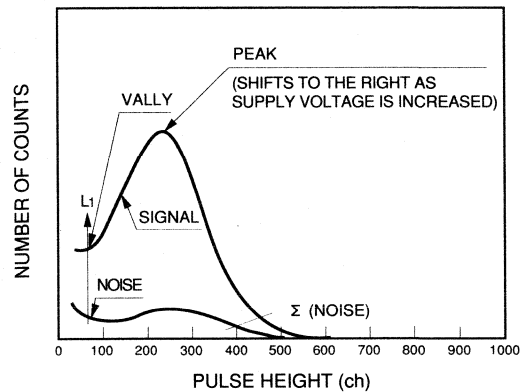
(2) Basic characteristics in photon counting

a) Pulse height distribution and plateau characteristics

Figure 3-51 illustrates a typical pulse height distribution obtained by photon counting. The plot with a high peak shows the pulse height distribution for signal pulses, and the lower plot shows that for noise pulses.

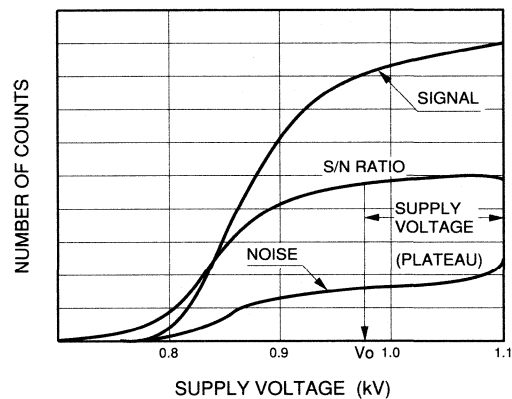
If a multichannel pulse height analyzer is available, a proper threshold level can be set in the pulse height distribution. Because the dark current pulses are usually distributed in the lower pulse height region, setting the LLD level in the vicinity of the valley (L_1) of the distribution can effectively eliminate such noise pulses without sacrificing the detection efficiency. In actual operation, however, using a pulse height analyzer is not so popular. Other methods using plateau characteristics are more commonly employed instead. By

counting the total number of pulses with amplitudes higher than the preset threshold level while varying the supply voltage for the photomultiplier tube, plots similar to those shown in Figure 3-52 can be obtained. These plots are called the plateau characteristics. The pulse height obtained at the supply voltage giving the maximum rising gradient in the signal plateau characteristic corresponds to the L1 level in Figure 3-51. From this relation, the pulse height for the LLD level can be predicted.



TPMOB0047EB

Figure 3-51: Typical example of pulse height distribution



TPMOB0048EB

Figure 3-52: Plateau characteristics

b) Setting the photomultiplier tube supply voltage

The signal-to-noise ratio is an important factor from the viewpoint of accurate measurements. Here the signal-to-noise ratio is defined as the ratio of the mean value of the signal count rate to the fluctuation of the counted signal and noise pulses (expressed in standard deviation or root mean square). The signal-to-noise ratio curve shown in Figure 3-52 is plotted by varying the supply voltage, the same procedure which is used to obtain the plateau characteristics. This figure implies that the photomultiplier tube should be operated in the range between the voltage (V_0) at which the plateau region begins and the maximum supply voltage.

c) Linearity of the count rate

The photon counting mode offers excellent linearity over a wide range. The lower limit of the count rate linearity is determined by the number of dark current pulses, and the upper limit by the maximum count rate. The maximum count rate further depends on pulse-pair resolution, which is the minimum time interval at which each pulse can be separated. The reciprocal of this pulse pair resolution would be the maximum count rate. However, since most events in the photon counting region usually occur at random, the counted pulses may possibly overlap. Considering this probability of overlapping, the actual maximum count rate will be about one-tenth of the calculated above. The loss of count rate ξ from pulse overlapping is given by

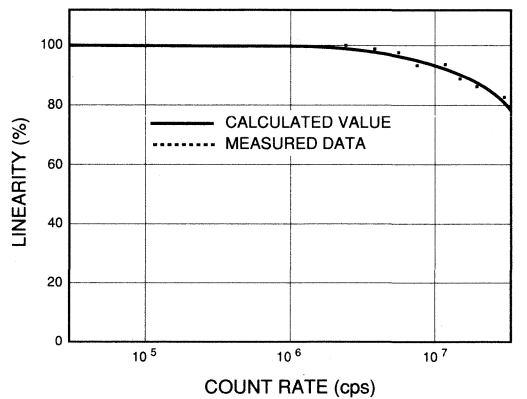
$$\xi = \frac{n\tau}{1 + n\tau} \dots\dots\dots \text{(Eq. 3-38)}$$

where

n : true count rate (cps)

τ : pulse pair resolution (s)

Figure 3-53 shows the typical linearity taken using a system with a pulse pair resolution of 8 nanoseconds.



TPMOB0049EA

Figure 3-53: Linearity of count rate

d) Setting the threshold level

In photon counting, it is most important to determine where to set the threshold level. In general, the optimum threshold level may be determined according to the suggestions listed below. But setting threshold is not simple and therefore careful selection must be made in accordance with individual needs.

- ① To optimize the signal-to-noise ratio and stabilize the count rate with respect to gain variations of the photomultiplier tube, the threshold level should be set near the valley or the plateau region of the pulse height distribution.
- ② Setting the threshold level at the lowest possible level gives the best detection efficiency. Practically, however, setting it near the valley or the plateau region is recommended.
- ③ To optimize the elimination rate between the signal and noise, the threshold level should be set at the middle of the peak and valley in the pulse height distribution.

e) Advantages of photon counting

Photon counting has many advantages in comparison with the analog mode. Among them, stability and signal-to-noise ratio are discussed in this section.

(I) Stability

One of the significant advantages photon counting offers is operating stability. The photon counting mode is resistant to variations in supply voltage and photomultiplier tube gain. If the supply voltage is set within the plateau region, a change in the voltage has less effect on the output counts. In the analog mode, however, it affects the output current considerably. Immunity to variations in the supply voltage means that the photon counting mode also assures high stability against gain fluctuation of the photomultiplier tube. Normally the photon counting mode offers several times higher immunity to such variations than the analog mode. (Refer to Figure 3-54.)

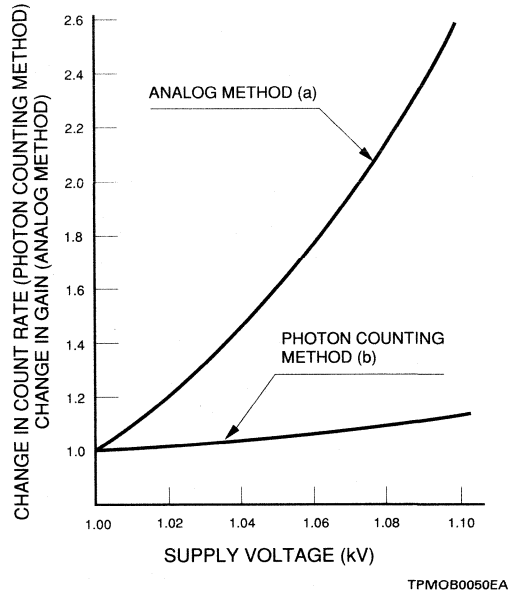


Figure 3-54: Stability versus changes in supply voltage

(II) Signal-to-noise ratio

When signal light strikes the photocathode of a photomultiplier tube, photoelectrons are emitted and directed to the dynode section where secondary electrons are produced. The number of photoelectrons produced per unit time and also the number of secondary electrons produced are determined by statistical probability of events which is represented by a Poisson distribution. Thus they are accompanied by statistical fluctuations (AC current components) expressed as a binomial distribution, having an effect on the signal-to-noise ratio. The signal-to-noise ratio is also described in Section 3.3.7. The AC component noise which is superimposed on the signal can be categorized by origin as follows

- ① Shot noise resulting from signal light
- ② Shot noise resulting from background light
- ③ Shot noise resulting from dark current

In the analog mode, the signal-to-noise ratio ^{39)40)43)45)–48)50)} of the photomultiplier tube output including these shot noises becomes

$$S/N \text{ ratio (current)} = \frac{I_{ph}}{\sqrt{2eNF B \{ I_{ph} + 2 (I_b + I_d) \}}} \dots\dots\dots(\text{Eq. 3-39})$$

where

- I_{ph}: signal current produced by incident light (A)
- e : electron charge (c)
- NF : noise figure of the photomultiplier tube

- I_b : cathode current resulting from background light
 I_d : cathode current resulting from dark current (A)
 B : Bandwidth of measurement system (Hz)

Here the true signal current I_{ph} is obtained by subtracting I_b+I_d from the total current. The noise originating from the latter-stage amplifier is considered to be negligible because the typical current amplification μ of a photomultiplier tube is sufficiently large.

The signal-to-noise ratio in the photon counting mode is given by the following equation.

$$S/N \text{ ratio} = \frac{N_s \sqrt{T}}{\sqrt{N_s + 2(N_b + N_d)}} \dots\dots\dots(\text{Eq. 3-40})$$

where

- N_s : number of counts/sec resulting from incident light per second
 N_b : number of counts/sec resulting from background light per second
 N_d : number of counts/sec resulting from dark current per second
 T : measurement time (sec)

Here the number of counts /sec of true signals N_s is obtained by subtracting N_b+N_d from the total number of counts.

From the common equivalent relation between the time and frequency, if $B=1$ (Hz) and $T=0.5$ (sec), then the signal-to-noise ratio will be as follows:

in the analog mode

$$S/N \text{ ratio (current)} = \frac{I_{ph}}{\sqrt{2eNF \{I_{ph} + 2(I_b + I_d)\}}} \dots\dots\dots(\text{Eq. 3-41})$$

in the photon counting mode

$$S/N \text{ ratio} = \frac{N_s}{\sqrt{2 \{N_s + 2(N_b + N_d)\}}} \dots\dots\dots(\text{Eq. 3-42})$$

Through the above analysis, it is understood that the photon counting mode provides a better signal-to-noise ratio by a factor of the noise figure NF . Since the dark current includes thermal electrons emitted from the dynodes in addition to those from the photocathode, its pulse height distribution will be an exponential spectrum shifted toward the lower pulse height side. Therefore, the dark current component can be effectively eliminated by use of a pulse height discriminator while maintaining the signal component, assuring further improvement in the signal-to-noise ratio. In addition, because only AC pulses are counted, the photon counting mode is not influenced by the DC leakage current. Amplifier noises can totally be eliminated by a discriminator.

3.4.4 Characteristics of photomultiplier tubes for photon counting

Table 3-6 lists typical characteristics of Hamamatsu photomultiplier tubes currently available for photon counting.

Wavelength Range	Diameter/ Configuration inch (mm)	Type No.	Spectral Response (nm)	Sensitive Area (mm)	Photocathode Quantum Efficiency		Dark Count			Rise Time (ns)	Remarks
					QE (%)	Wave-length (nm)	Typ. (cps)	Max. (cps)	Temperature (°C)		
VUV to UV	1-1/8 (28), side-on	R166P	160 to 320	8 × 24	35	200	5	20	25	2.2	
UV to Visible	2 (51), head-on	R585	160 to 650	5 × 8	22	390	5	15	25	13.0	
	1/2 (13), side-on	R1414P	185 to 650	4 × 13	15	270	10	30	25	1.4	
	1-1/8 (28), side-on	R1527P	185 to 680	8 × 24	19	300	10	50	25	2.2	
	1-1/8 (28), side-on	R2693P	185 to 650	18 × 16	20	300	15	50	25	1.2	
	1-1/8 (28), side-on	R4220P	185 to 710	8 × 24	23	320	10	50	25	2.2	
Visible	3/8 (10), head-on	R1635P	300 to 650	8 dia.	26	390	100	400	25	0.8	
	1/2 (13), head-on	R647P	300 to 650	10 dia.	26	390	80	400	25	2.5	
	1/2 (13), head-on	R2557	300 to 650	10 dia.	22	360	10	30	25	2.2	
	3/4 (19), head-on	R2295	300 to 650	4 dia.	22	390	2	5	25	2.5	
	3/4 (19), head-on	R2801	300 to 650	15 dia.	22	360	15	45	25	2.2	
	1 (25), head-on	R1924P	300 to 650	21 dia.	26	390	100	300	25	2.0	
	1 (25), head-on	R3550	300 to 650	21 dia.	22	360	20	60	25	2.0	
	1-1/8 (28), head-on	R268P-01	300 to 650	25 dia.	25	390	120	300	25	12.0	
	1-1/8 (28), head-on	R2560	300 to 650	25 dia.	22	360	40	100	25	2.2	
	2 (51), head-on	R464	300 to 650	5 × 8	22	390	5	15	25	13.0	
	2 (51), head-on	R329P	300 to 650	46 dia.	26	390	200	600	25	2.6	
Visible to Near IR	3/4 (19), head-on	R1878	300 to 850	4 dia.	20 0.3	340 800	100	250	25	2.5	
	1-1/8 (28), head-on	R2228P	300 to 900	25 dia.	6 1	600 800	150	500	-20	15.0	
	2 (51), head-on	R649	300 to 850	5 × 8	20 0.3	340 800	200	350	25	13.0	
	2 (51), head-on	R3310-02	300 to 1010	10 × 10	13 0.25	340 1000	30	150	-20	3.0	
UV to Near IR	1/2 (13), head-on	R1463-01	185 to 850	10 dia.	22 0.3	270 800	900	1000	25	2.5	
	1-1/8 (28), head-on	R1104P	185 to 850	25 dia.	23 0.3	270 800	4500	7000	25	15.0	
	2 (51), head-on	R943-02	160 to 930	10 × 10	22 12	300 800	20	50	-20	3.0	
	1/2 (13), side-on	R4457P	185 to 830	4 × 13	21 12	260 800	20	50	25	1.4	
	1-1/8 (28), side-on	R928P	185 to 900	8 × 24	25 2.7	260 800	500	1000	25	2.2	
	1-1/8 (28), side-on	R2949	185 to 900	8 × 6	25 2.7	260 800	300 3	500 —	25 -20	2.2	
	1-1/8 (28), side-on	R2658P	185 to 1010	3 × 12	14 0.13	330 1000	50	300	-20	2.0	
	1-1/8 (28), side-on	R4632	185 to 850	8 × 24	26 11	270 600	50	100	25	2.2	

Table 3-6: Typical characteristics of photomultiplier tubes available for photon counting

3.5 Scintillation Counting

Radiation of various types is widely utilized for non-destructive inspection and testing such as in medical diagnosis, industrial inspection, material analysis and other diverse fields. In such applications, radiation detectors play an important role. There are various methods for detecting radiation⁽³²⁾⁽⁵¹⁾⁽⁵²⁾. For example, typical detectors include proportional counters, semiconductor detectors that make use of gas and solid ionization respectively, radiation-sensitive films, cloud chambers, and scintillation counters.

In scintillation counting, the combination of a scintillator and photomultiplier tube is one of the most commonly used detectors for practical applications⁽⁵³⁾⁽⁵⁴⁾. Scintillation counting has many advantages over other detection methods, for example, a wide choice of scintillator materials, fast time response, high detection efficiency, and a large detection area. This section gives definitions of photomultiplier tube characteristics required for scintillation counting and explains their measurement methods and typical data.

3.5.1 Scintillators and photomultiplier tubes

When ionizing radiation enters a scintillator, it produces a fluorescent flash with a short decay time. This is known as scintillation. In the case of gamma rays, this scintillation occurs as a result of excitation of the bound electrons by means of free electrons inside the scintillator. These free electrons are generated by the following three mutual interactions: the photoelectric effect, Compton effect, and pair production. The probability of occurrence of these interactions depends on the type of scintillators and the energy level of the gamma rays. Figure 3-55 shows the extent of these interactions when gamma-ray energy is absorbed by a NaI(Tl) scintillator.

From Figure 3-55, it is clear that the photoelectric effect predominates at low energy levels of gamma rays, but pair production increases at high energy levels. Of these three interactions, the amount of scintillation produced by the photoelectric effect is proportional to gamma-ray energy because all the energy of the gamma ray is given to the orbital electrons. The photomultiplier tube outputs an electrical charge in proportion to the amount of this scintillation, as a result, the output pulse height from the photomultiplier tube is essentially proportional to the incident radiation energy. Accordingly, use of a scintillation counter - a combination device consisting of a scintillator and a photomultiplier tube⁽²⁶⁾ - provides accurate radiation energy distribution and its dose rate by measuring the photomultiplier tube output pulse height and count rate. To carry out energy analysis, the current output from the photomultiplier tube is converted into a voltage output by an integrating preamplifier and fed to a PHA (pulse height analyzer) for analyzing the pulse height⁽⁵⁵⁾. A typical block diagram for scintillation counting is shown in Figure 3-56.

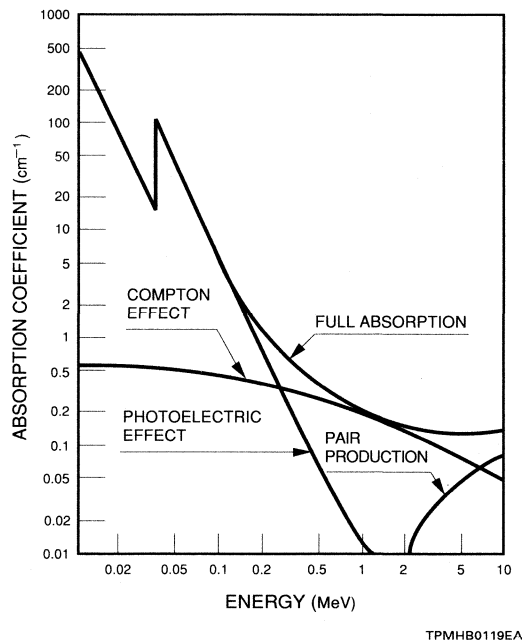


Figure 3-55: Gamma-ray absorption characteristics of NaI(Tl) scintillator

Scintillators are divided into inorganic scintillators and organic scintillators. Most inorganic scintillators are made of a halogen compound such as NaI(Tl), BGO, BaF₂, CsI(Tl) and ZnS. Of these, the NaI(Tl) scintillator is most commonly used. These inorganic scintillators offer advantages of excellent energy conversion efficiency, high absorption efficiency and a good probability for the photoelectric effect compared to organic scintillators. Unfortunately however, they are not easy to handle because of deliquescence and vulnerability to shock and impact.

Organic scintillators include plastic scintillators, liquid scintillators and anthracene, an organic crystal. These scintillators display a short decay time and have no deliquescence. In addition, plastic scintillators are easy to handle and available in various types varying from small or thin sizes to large sizes with special configurations. In the detection of gamma rays, however, organic scintillators have a low absorption coefficient and exhibit less probability for the photoelectric effect. Accordingly, they are not suited for energy analysis applications.

Table 3-7 lists typical characteristics and applications of major scintillators which have been developed up to the present⁵⁴⁾.

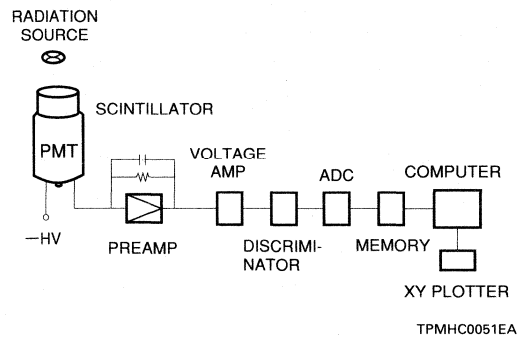


Figure 3-56: Block diagram for scintillation counting

Inorganic Scintillator

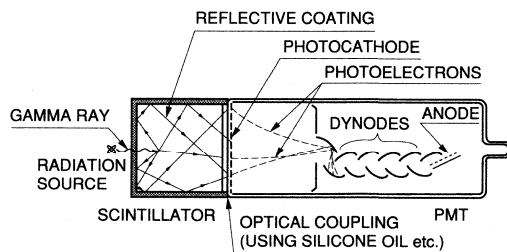
	Density (g/cm ³)	Relative Liminous Intensity (NaI (Tl) normalized at 100)	Emission Time (ns)	Peak Emission Wavelength (nm)	Applications
NaI(Tl)	3.67	100	230	413	γ -ray, X-ray, β -ray, ECT, Well scintillation counters
CsI(Tl)	4.51	47	1000	565	α -ray, β -ray, γ -ray, X-ray CT
CsI(Na)	4.51	85	630	420	α -ray, β -ray, γ -ray
BGO	7.13	8	300	480	High energy γ -ray, X-ray, ECT, X-ray CT
BaF ₂	4.88	8/32	0.8/620	220/310	TOF
CdWO ₄	7.90	20	900 — 20 μ s	530	γ -ray, X-ray, X-ray CT
Pure CsI	4.5	20	10	300	γ -ray, X-ray
ZnS(Ag)	4.09	130	200	450	α -ray

Organic Scintillator

	Density (g/cm ³)	Relative Liminous Intensity (NaI (Tl) normalized at 100)	Emission Time (ns)	Peak Emission Wavelength (nm)	Applications
Anthracene	1.25	43	30	447	β -ray, fast neutron
Stilbene	1.16	22	4.5	410	β -ray, fast neutron
Plastic Scintillator (Pilot U)	1.03	30	1.36	391	α -ray, β -ray, fast neutron

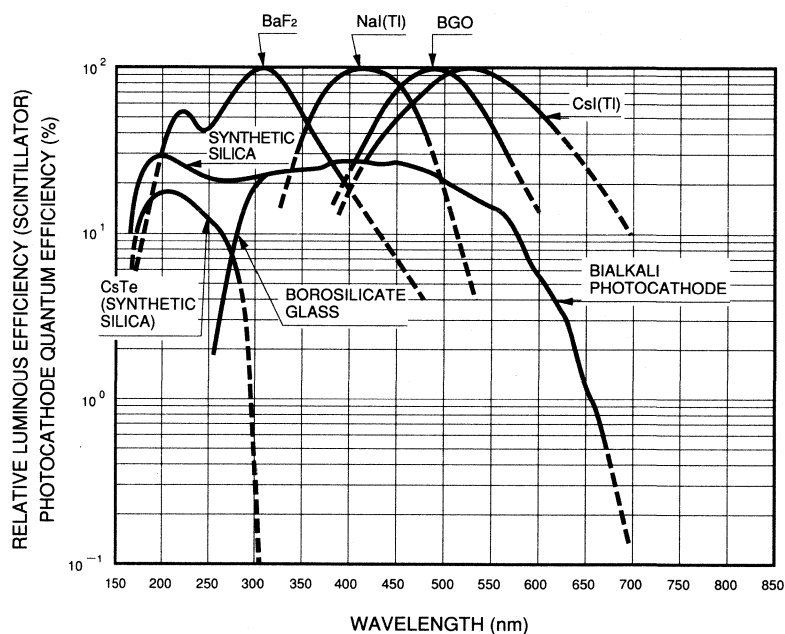
Table 3-7: Typical characteristics and applications of scintillators

A scintillator is attached to a photomultiplier tube with coupling material as shown in Figure 3-57. The coupling material is used in place of an air layer in order to minimize optical loss between the scintillator and the photocathode faceplate. Silicon oil having an index of refraction close to that of the glass faceplate is most widely used as a coupling material. However, selecting the proper material which provides good transmittance over the emission spectrum of the scintillator is necessary. Figure 3-58 indicates typical emission spectra of major scintillators and photocathode spectral responses of various photomultiplier tubes.



TPMHC0052EB

Figure 3-57: Gamma-ray detection using a NaI(Tl) scintillator and a photomultiplier tube



TPMHB0120EA

Figure 3-58: Photocathode quantum efficiency and emission spectra of major scintillators

3. 5. 2 Various characteristics

(1) Energy resolution

Figure 3-56 shows typical pulse height distributions for various kinds of gamma ray sources (^{55}Fe , ^{57}Co , ^{137}Cs , ^{60}Co) taken with a photomultiplier tube coupled to a NaI(Tl) crystal. (The same measurement method as shown in Figure 3-56 is used.)

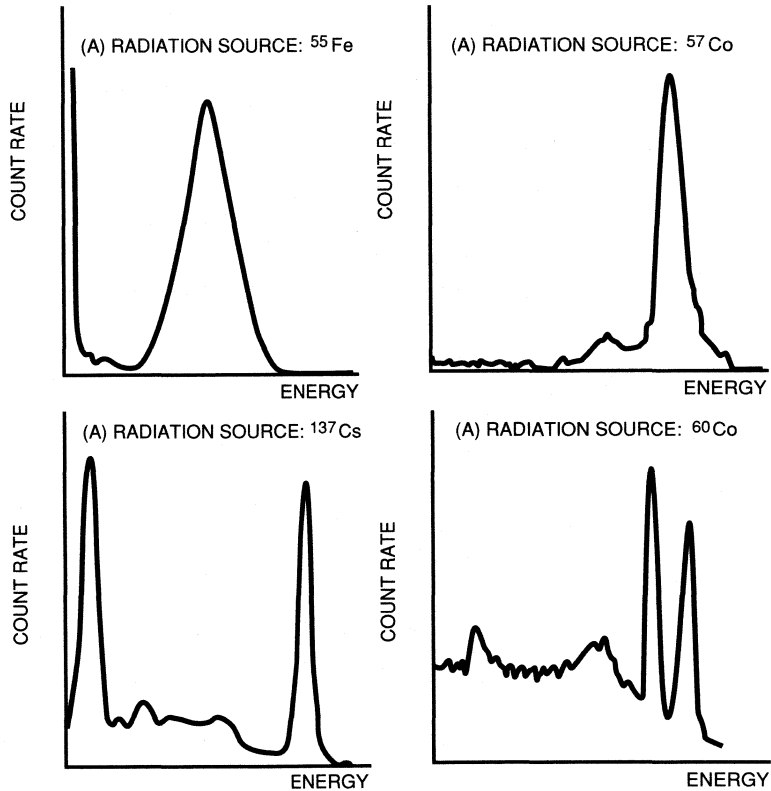
When gamma-ray energy incident on the scintillator increases and the average number of resultant photons per unit disintegration becomes large, the shape of the photopeak distribution closely approximates a Gaussian distribution, which is expressed by the following equation:

$$P(X) = \frac{1}{\sqrt{2\pi\sigma^2}} \exp\left(-\frac{(X-\bar{X})^2}{2\sigma^2}\right) \dots\dots\dots(\text{Eq. 3-43})$$

where σ is the standard deviation ($\sigma = \text{FWHM}/2.35$) and \bar{X} is the average number of photons produced. The energy resolution or pulse height resolution (PHR) R, is defined as the ratio of the FWHM (ΔP) to the pulse height (P) at the peak count rate, as follows:

$$R = \frac{\Delta P}{P} \dots\dots\dots(\text{Eq. 3-44})$$

R is commonly stated in percent.



TPMHB0121EA

Figure 3-59: Typical pulse height distributions

The following factors affect the energy resolution.

- (1) Energy conversion efficiency of the scintillator
- (2) Intrinsic energy resolution of the scintillator
- (3) Light collection efficiency of the photomultiplier tube photocathode
- (4) Quantum efficiency (η) of the photomultiplier tube photocathode
- (5) Collection efficiency (α) and secondary emission ratio at first dynode

Generally, energy resolution is given by

$$R^2(E) = R_s^2(E) + R_p^2(E) \dots\dots\dots(\text{Eq. 3-45})$$

where

$$R_p^2(E) = \frac{5.56}{N\eta\alpha} \left(\frac{\delta}{\delta-1}\right) \dots\dots\dots(\text{Eq. 3-46})$$

in which N is the average number of photons incident on the photocathode per unit disintegration and δ is the secondary emission yield at each dynode (assumed to be constant here).

In the above equations, $R_s(E)$ is the energy resolution of the scintillator and $R_p(E)$ is that of the photomultiplier tube, both of which depend on the energy (E) of the incident gamma ray. $R_p^2(E)$ is inversely proportional to E .

When a 2-inch diameter by 2-inch length NaI(Tl) scintillator and a 2-inch diameter photomultiplier tube (Hamamatsu R878) are used, the following values will typically be obtained for R , R_s and R_p :

With $E=122\text{keV}$ (^{57}Co), $R \approx 10\%$, $R_s=7$ or 8% , $R_p \approx 7\%$

With $E=662\text{keV}$ (^{137}Cs), $R \approx 7\%$, $R_s \approx 6\%$, $R_p \approx 3.5\%$

Along with using a scintillator with high conversion efficiency and good inherent energy resolution, to obtain higher energy resolution, good optical coupling should be provided to reduce optical loss. For this purpose, as mentioned previously it is helpful to couple the scintillator and the photomultiplier tube using silicon oil having an index of refraction close to that of the faceplate of the photomultiplier tube.

When the intensity distribution of light entering the photomultiplier tube is always constant over the photocathode, the photomultiplier tube uniformity has no effect on the energy resolution. However, if the light flash from the scintillator fluctuates with respect to the incident position on the photocathode, the photomultiplier tube uniformity may degrade the energy resolution. To avoid this problem, a light-guide is sometimes placed between the scintillator and the photomultiplier tube so that the light flash from the scintillator is diffused and allowed to enter uniformly over the photocathode. But this technique is not necessary when using a photomultiplier tube with normal uniformity.

Gamma-ray Sources	Energy (keV)	NaI (Tl) +PMT	BGO+PMT
^{55}Fe	5.9	40 to 50 %	—
^{241}Am	59.5	12 to 15 %	70 to 150 %
^{57}Co	122	8.5 to 10 %	35 to 50 %
^{22}Na	511	7.5 to 9.0 %	13 to 25 %
^{137}Cs	662	6.5 to 8.5 %	11 to 20 %
^{60}Co	1,170	5 to 6.5 %	8.5 to 11 %
	1,330	4.5 to 5.5 %	8.0 to 9.5 %

Table 3-8: Energy resolution for typical gamma-ray sources, obtained with a NaI(Tl) or BGO scintillator

Energy resolution is one of the most important characteristics in radiation measurement such as gamma cameras and gamma counters. Therefore photomultiplier tubes used in these applications are usually tested for energy resolution. Table 3-8 summarizes energy resolution for typical gamma rays measured with a NaI(Tl)/photomultiplier tube or a BGO/photomultiplier tube combination device. As shown in the table, each of the data exhibits a certain variation in energy resolution. This is due to the non-uniformity of the physical size of the scintillator or photomultiplier tube and also the performance variations between individual photomultiplier tubes. If necessary, it is possible to select only those photomultiplier tubes that meet specific specifications.

(2) Relative pulse height

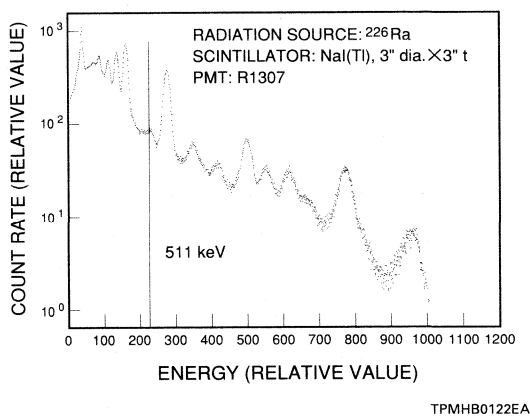
In scintillation counting, when a photomultiplier tube is operated at a constant supply voltage and the gain of the measuring circuit is fixed, the pulse height that gives the peak of the pulse height distribution is referred to as the relative pulse height (RPH). This is commonly stated in terms of the channel number at which the maximum count rate of the pulse height distribution is obtained with a pulse height analyzer²⁶). The same measurement setup is used as shown in Figure 3-56. This relative pulse height essentially means the collective gain of a photomultiplier tube used in scintillation counting. It usually shows a good correlation with measurement data taken by users (instrument manufacturers) and thus is often used for simple evaluation of a photomultiplier tube.

When measured with a NaI(Tl) scintillator, the relative pulse height provides a close correlation with blue sensitivity because the emission spectrum of the NaI(Tl) resembles the spectral transmittance of the Corning filter CS No.5-58 which is used for the blue sensitivity measurement. (Refer to Section 3.1.5.)

(3) Linearity

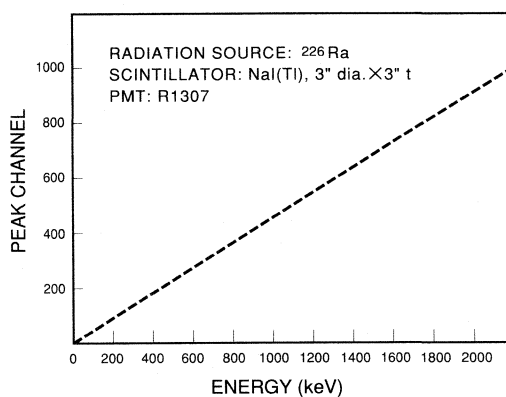
Output current linearity of a photomultiplier tube with respect to the amount of scintillation flash is another important parameter to discuss. Since linearity of general-purpose photomultiplier tubes has already been described earlier, this section explains how to measure linearity related to scintillation counting. Figure 3-60 shows a typical pulse height distribution for the ^{226}Ra taken with a NaI(Tl) and Figure 3-61 indicates the relationship between each peak channel and the gamma-ray energy. Because ^{226}Ra releases various kinds of radiation ranging in energy from 10.8keV to 2.2MeV, it is used for linearity measurements over a wide energy range.

Photomultiplier tube linearity and measurement methods using normal light sources have been discussed in Section 3.3.2. When ^{60}Co is used for linearity measurements under the conditions that the photomultiplier tube gain is at 10^6 and the decay constant (τ_s) of the NaI(Tl) scintillator is 250 nanoseconds at room temperature, the photomultiplier tube output current I_p is given by



TPMHB0122EA

Figure 3-60: Pulse height distribution for the ^{226}Ra taken with an NaI(Tl)



TPMHB0123EA

Figure 3-61: Relation between peak channel and gamma-ray energy

$$I_p = \frac{N \times \eta \times \mu \times e}{\tau_s}$$

$$= 4 \times 10^4 \times 0.25 \times 10^6 \times \frac{1.6 \times 10^{-19}}{250 \times 10^{-9}}$$

$$= 6.4 \times 10^{-3} \text{ (A)} \dots\dots\dots \text{(Eq. 3-47)}$$

where

- μ : current amplification (gain) of photomultiplier tube
- N : amount of light flash per event produced from scintillator
- e : electron charge
- η : quantum efficiency of photocathode (assumed to be 25%)

Thus in this measurement the photomultiplier tube must have a pulse linearity over 6.4 milliamperes. In particular, care should be taken with respect to the linearity range when measuring radiation at higher energy levels as the photomultiplier tube produces a large amount of light flash.

(4) Uniformity

The uniformity of a photomultiplier tube affects the performance of systems utilizing scintillation counting, especially in such equipment as Anger cameras used to detect the incident position of radiation. Uniformity of a photomultiplier tube is commonly defined as the variation in the output current with respect to the photocathode position on which a light spot is scanned.

However, another evaluation method like that illustrated in Figure 3-62²⁶⁾ provides more useful data which allows users to predict the direct effects of uniformity on the equipment.

In Figure 3-62, the photomultiplier tube is set at a distance (d) from a light source. The output variations of the photomultiplier tube are measured as the light source is rotated around the tube (by changing angle θ). The same procedure is repeated at different values of d. Then plotting the positions (d, θ) of the light source providing equal output gives a graph similar to a contour map (Figure 3-63).

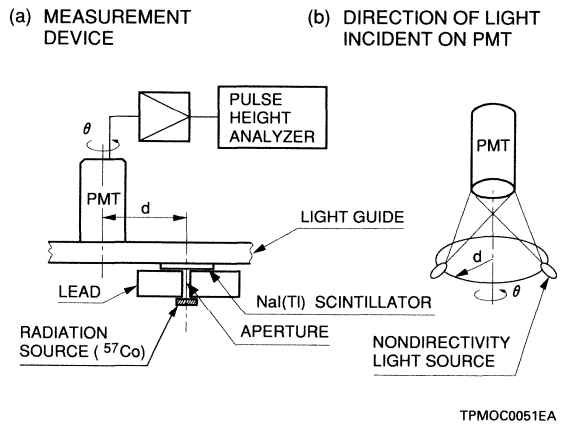
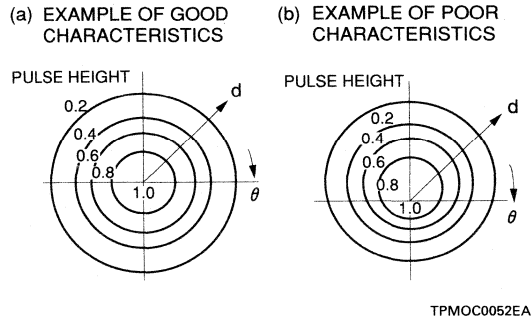


Figure 3-62: Measurement method for azimuth uniformity

Uniformity data evaluated by this method is called the azimuth uniformity. If photomultiplier tubes with poor azimuth uniformity are installed in an Anger camera, position distortion may occur in the detection area, degrading spatial resolution. Since the azimuth uniformity requires a long time to test, it is not practical to measure this data for every photomultiplier tube. Usually, only a sample of photomultiplier tubes are measured to provide reference data.



TPMOC0052EA

Figure 3-63: Examples of azimuth uniformity data

(5) Stability

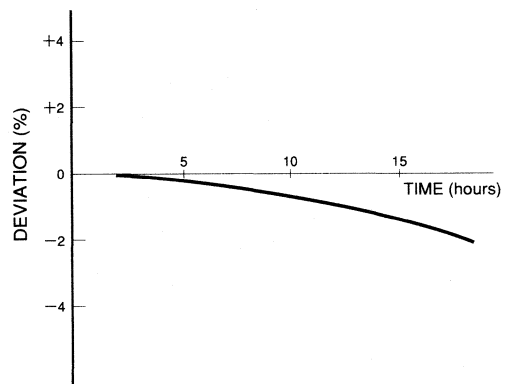
There are two types of stability tests used in scintillation counting: long term stability²⁶⁾ and short term stability²⁶⁾. Both stability tests employ a ^{137}Cs radiation source and a NaI(Tl) scintillator. The variation in the photopeak obtained from a photomultiplier tube is measured with a pulse height analyzer (PHA). These stability tests differ slightly from those applied to the general-purpose photomultiplier tubes which were discussed in the previous section.

a) Long term stability

The long term stability is also referred to as the photopeak drift. In this stability test, the photomultiplier tube is allowed to warm up for one hour with the photopeak count rate maintained at 1kcps. After this, the variation rate of the photopeak pulse height (channel number) is measured for a period of 16 hours.

The same measurement setup shown in Figure 3-56 is used and the variation occurring in the peak channel is recorded as the time elapses.

There are a few tube types that exhibit somewhat a tendency to increase during the period of 16 hours. However, most photomultiplier tubes tend to show decreasing values, with a variation rate within \pm several percent. This tendency is analogous to the drift characteristic explained earlier, but this test method is more practical for scintillation applications. Numerically, the long term stability D_{LTS} is defined as the mean deviation of the peak pulse height (or mean gain deviation) with respect to the mean pulse height, expressed in percent as given by the equation below. It usually has a value of ± 1 or 2 percent.



TPMOB0067EA

Figure 3-64: Long term stability of a typical photomultiplier tube

$$D_{LTS} = \frac{\sum_{i=1}^n |P_i - \bar{P}|}{n} \cdot \frac{100}{\bar{P}} \dots\dots\dots(\text{Eq. 3-48})$$

where

\bar{P} : mean value of photopeak pulse height (channel)

P_i : peak pulse height at the i -th reading

n : total number of readings for 16 hours

b) Short term stability

The short term stability is also referred to as the count rate dependence. The variation in the photopeak pulse height is measured when the photopeak count rate is increased from 1kcps to 10kcps. If the photopeak pulse height at a count rate of 1kcps is given by A and that at 10kcps by B, the short term stability D_{STS} is stated by the following relationship. This value is expected to be about ± 1 percent.

$$D_{STS} = \left(1 - \frac{B}{A}\right) \times 100 (\%) \dots\dots\dots(\text{Eq. 3-49})$$

This instability is caused by the abrupt change in output current resulting from the changing count rate, and is closely related to the hysteresis effect in photomultiplier tubes.

(6) Noise

In scintillation counting, a signal pulse is usually produced by multiple photoelectrons simultaneously emitted from the photocathode which create a higher pulse height than most dark current pulses do. Use of a discriminator effectively eliminates most dark current pulses with lower amplitudes. Accordingly, only noise pulses with higher amplitudes will be a problem in scintillation counting. To remove this type of noise pulse, the coincident counting technique is commonly used.

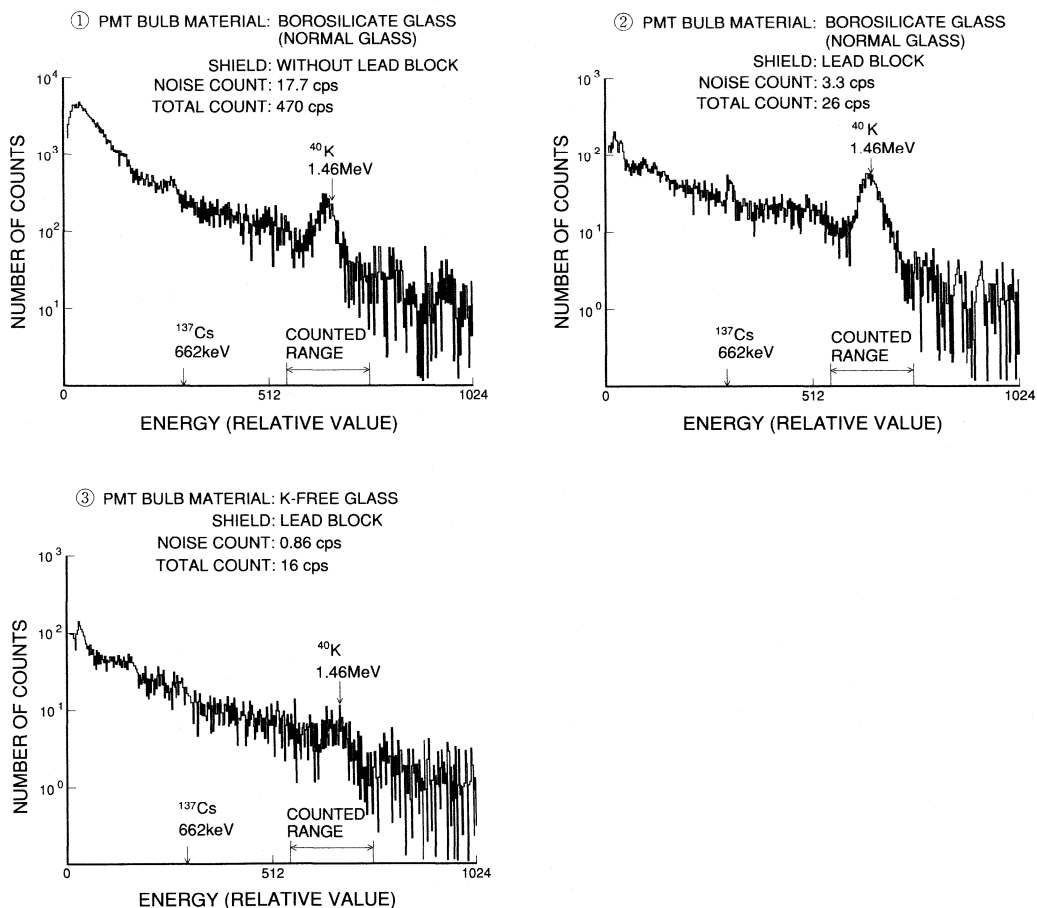
Noise pulses with higher amplitudes may be caused by radiation released from natural radioactive elements contained in a reinforced concrete building or in the atmosphere. These noise pulses may be a significant problem, particularly in low-level-radiation measurements. Concrete used to construct a building usually contains Rn, Th and ^{40}Fe , and steel contains U, Th and ^{60}Co . Radioactive floating dust and Rn or Th gases may be present in the atmosphere, and a scintillator may also contain minute amounts of ^{40}K and ^{208}Tl . Furthermore, borosilicate glass used to fabricate the faceplate of a photomultiplier tube contains potassium of which ^{40}K comprises 0.118 percent. The ^{40}K releases gamma rays of 1.46MeV.

Figure 3-65 shows background noise measured with a Hamamatsu R877 photomultiplier tube (5-inch diameter, borosilicate glass, bi-alkali photocathode) coupled to a NaI(Tl) scintillator (5-inch diameter \times 2-inch length). Figure ① is measured without taking any countermeasures, while ② is measured by shielding the tube with two lead blocks of 100 and 50 millimeter thickness, each being placed respectively in the lower section and upper section. Figure ③ is data taken with an R877-01 that employs a so-called K-free glass containing a very minute amount of potassium for its faceplate and side bulb envelope.

Since these measurements were made using the setup in which the peak of ^{137}Cs (662keV) becomes 300 channels, the energy range measured covers from about several thousand keV to 2.2MeV. In this energy range, the background noise that is as high as 470cps during normal measurement ①, can be drastically reduced to 26cps (about 1/20)

by shielding the tube with lead blocks. Consequently, it has been proven that most background noise originate from environmental radiation. In addition, use of the R877-01 with K-free glass (Refer to Section 3.1.2.) further reduces the total noise counts down to about 16cps. Particularly, in the energy range from 1.2 to 1.6MeV where noise counts mainly result from the ^{40}K (1.46MeV), the noise count of 3.3cps measured with the R877 (normal borosilicate glass) is reduced to 0.9cps with the R877-01 (K-free glass).

The external parts of a photomultiplier tube and the scintillator, are usually maintained at ground potential. Therefore, a cathode ground scheme with the high voltage applied to the anode is often used in scintillation counting.



TPMOB0051EA

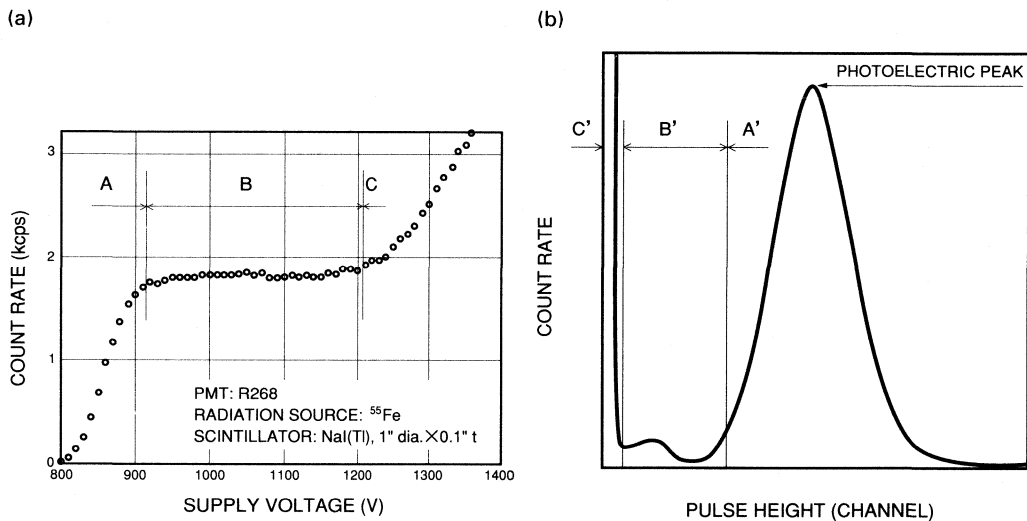
Figure 3-65: Background noise

(7) The plateau characteristic

The plateau characteristic is useful in simple scintillation counting which does not use a pulse height analyzer. The plateau characteristic is measured by setting a discrimination level and counting all pulses with amplitudes greater than that level. This operation is done while changing the supply voltage for the photomultiplier tube. The measured data is plotted on a graph in which the abscissa indicates the supply voltage and the ordinate indicates the total number of counted pulses with amplitudes greater than the discrimination level. Figures 3-66 (a) and (b) show the typical plateau characteristic and pulse height

distribution when a NaI(Tl) scintillator and ^{55}Fe radiation source are used.

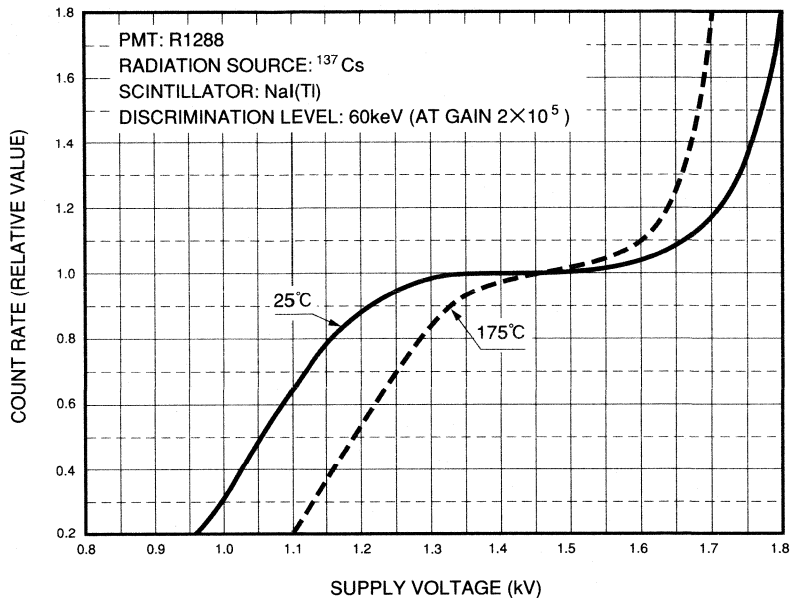
With the discrimination level kept at a constant value, as the photomultiplier tube supply voltage is increased, the output pulses are counted in order from the photopeak region to the valley and the dark current regions. Plotting the count rate versus the photomultiplier tube supply voltage gives a curve like that shown in Figure 3-66 (a), which consists of three regions (regions A, B and C). Region B is referred to as the plateau and the supply voltage should be set within this region. The count rate will not vary even if the supply voltage is changed within this region, showing a constant photopeak count rate. The wider the plateau region, the less the count rate will be affected by fluctuations in the dark current. This plateau region corresponds to the valley of a pulse height distribution, i.e., region B' in Figure 3-66 (b). photomultiplier tubes with better energy resolution and lower dark current provide a wider region B'. Since the plateau region is expressed in terms of supply voltage range, photomultiplier tubes with smaller gain and lower noise tend to have a wider plateau range. With this method, however, it should be noted that energy analysis cannot be carried out because all pulses with amplitudes higher than the discrimination level are counted.



TPMHB0124EA

Figure 3-66: Plateau characteristic

As an application example, plateau characteristics are widely employed to evaluate photomultiplier tubes designed for use in oil well logging where geological information is obtained based on the signal produced by Compton scattering. In this case, photomultiplier tubes are also evaluated using a ^{137}Cs radiation source and a NaI(Tl) scintillator. Typical plateau characteristics are shown in Figure 3-67.



TPMHB0125EA

Figure 3-67: Typical plateau characteristics of a photomultiplier tube designed for high temperature operation

To measure the data shown in Figure 3-67, a photomultiplier tube designed for high temperature operation is used. The plateau characteristic taken at 175°C is shown along with that obtained at 25°C. It can be seen from the figure that the supply voltage at which the signal appears (corresponding to region A in Figure 3-66 (a)) shifts to the higher voltage side. This is because the gain of the photomultiplier tube decreases as the temperature increases. On the other hand, since the dark current increases with temperature, the count rate sharply increases (corresponding to region C in Figure 3-66 (a)) at a lower supply voltage. Consequently, the plateau width (supply voltage range) measured at a higher temperature becomes narrow in comparison with that obtained at room temperatures (+25°C).

References in Chapter 3

- 1) Hamamatsu Photonics Catalog: Photomultiplier Tubes.
- 2) T. Hiruma, SAMPE Journal. 24, 35 (1988).
- 3) A. H. Sommer: Photoemissive Materials, Robert E. Krieger Publishing Company (1980).
- 4) T. Hirohata and Y. Mizushima: Japanese Journal of Applied Physics. 29, 8, 1527 (1990).
- 5) T. Hirohata, T. Ihara, M. Miyazaki, T. Suzuki and Y. Mizushima: Japanese Journal of Applied Physics. 28, 11, 2272 (1989).
- 6) W.A. Parkhurst, S. Dallek and B.F. Larrick: J. Electrochem. Soc, 131, 1739 (1984).
- 7) S. Dallek, W.A. Parkhurst and B.F. Larrick: J. Electrochem. Soc, 133, 2451 (1986).
- 8) R.J. Cook: Phys. Rev. A25, 2164; 26,2754 (1982).
- 9) H.J. Kimble and L. Mandel: Phys. Rev. A30, 844 (1984).
- 10) M. Miyao, T. Wada, T. Nitta and M. Hagino: Appl. Surf. Sci. 33/34, 364 (1988).
- 11) Tailing Guo: J. Vac. Sci. Technol. A7, 1563 (1989).
- 12) Huairong Gao: J. Vac. Sci. Technol. A5, 1295 (1987).

- 13) C.A. Sanford and N.C. MacDonald: *J. Vac. Sci. Technol. B* 6. 2005 (1988).
- 14) C.A. Sanford and N.C. MacDonald: *J. Vac. Sci. Technol. B* 7. 1903 (1989).
- 15) M. Domke, T. Mandle, C. Laubschat, M. Prietsch and G.Kaindl: *Surf. Sci.* 189/190, 268 (1987).
- 16) D. Rodway: *Surf. Sci.* 147, 103 (1984).
- 17) "Handbook of Optics" : McGraw-Hill (1978).
- 18) James A. R. Samson: "Techniques of Vacuum Ultraviolet Spectroscopy" John Wiley & Sons, Inc (1967).
- 19) C.R. Bamford: *Phys. Chem. Glasses*, 3, 189 (1962).
- 20) Corning Glass Works Catalog.
- 21) IEEE ET-61A 1969.5.8.
- 22) IEEE STD 398-1972.
- 23) IEC PUBLICATION 306-4, 1971.
- 24) H. Kume, K. Koyama, K. Nakatsugawa, S. Suzuki and D. Fatlowitz: *Appl. Opt.* 27, 1170 (1988).
- 25) T. Hayashi: "PHOTOMULTIPLIER TUBES FOR USE IN HIGH ENERGY PHYSICS" .
Hamamatsu Photonics Technical Publication (APPLICATION RES-0791-02).
- 26) Hamamatsu Photonics Technical Publication "USE OF PHOTOMULTIPLIER TUBES IN SCINTILLATION APPLICATIONS" (RES-0790)
- 27) T.H. Chiba and L. Mmandel: *J. Opt. Soc. Am. B*,5, 1305 (1988).
- 28) D.P. Jones: *Appl. Opt.* 15,14 (1976).
- 29) D.E. Persyk: *IEEE Trans. Nucl. Sci.* 38, 128 (1991).
- 30) Mikio Yamashita: *Rev. Sci. Instrum.*, 49, 9 (1978).
- 31) "Time-Correlated Single-Photon Counting" : Academic Press, Inc (1985).
- 32) G.F.Knoll: "RADIATION DETECTION and MEASUREMENT" , John Wiley & Sons, Inc. (1979).
- 33) C.E. Miller, et al.: *IEEE Trans. Nucl. Sci.* NS-3, 91 (1956).
- 34) A.T. Young: *Appl. Opt.*, 8, 12, (1969).
- 35) R.L. Bell: "Negative Electron Affinity Devices" , Clarendon Press. Oxford (1973).
- 36) G.A. Morton et al.: *IEEE Trans. Nucl. Sci.* NS-14 No.1, 443 (1967).
- 37) R. Staubert et al.: *Nucl. Instrum. & Methods* 84, 297 (1970).
- 38) S.J. Hall et al.: *Nucl. Instrum. & Methods* 112, 545 (1973).
- 39) Illes P. Csorba "Image Tubes" Howard W, Sams & Co (1985).
- 40) F. Robber: *Appl. Opt.*, 10, 4 (1971).
- 41) S.A. Hoenig and A. Cutler III: *Appl. Opt.* 5,6, 1091 (1966).
- 42) H. Hora: *Phys. Stat. Soli Vol (a)*, 159 (1971).
- 43) R. Foord, R. Jones, C. J. Oliver and E. R. Pike: *Appl. Opt.*, 8, 10, (1969).
- 44) R. Foord, R. Jones, C.J. Oliver and E.R. Pike: *Appl. Opt.* 1975, 8 (1969).
- 45) J.K. Nakamura and S.E. Schmarz: *Appl. Opt.*, 1073, 7, 6 (1968).
- 46) J.K. Nakamura and S. E. Schwarz: *Appl. Opt.*, 7, 6 (1968).
- 47) R.R. Alfano and N. Ockman: *Journal of the Optical Society of America*, 58, 1 (1968).
- 48) T. Yoshimura, K. Hara and N. Wakabayashi: *Appl. Optics*, 18, 23 (1979).
- 49) T.S. Durrani and C. A. Greated: *Appl. Optics*, 14, 3 (1975).
- 50) Hamamatsu Photonics Technical Publication: Photon Counting (1990).
- 51) Nicholas Tsoulfanidis: "Measurement and Detection of Radiation" , Hemispherev Publication Corporation (1983).
- 52) William J. Price: "Nuclear Radiation Detection" , McGraw-Hill Book Company Inc. (1964).
- 53) H. Kume, T. Watanabe, M. Iida, T. Matsushita and S. Suzuki: *IEEE Trans. Nucl. Sci.* NS-33[1], 364 (1986).
- 54) R.L. Heath, R. Hofstadter and E. B. Hughes: *Nucl. Inst. and Meth*, 162, 431 (1979).
- 55) Emil Kowalski: "Nuclear Electronics" , Springer-Verlag Berlin (1970).

CHAPTER 4

MCP-PMT

In recent years, with the advent of the microchannel plate¹⁾ (abbreviated as MCP hereafter), photomultiplier tubes have evolved as more versatile devices. MCP-PMTs that is, photomultiplier tubes that incorporate an MCP in place of the conventional discrete dynodes, offer wide-bandwidth measurements up to the picosecond region as well as low-light-level detection in the photon counting region. This chapter describes these ultra-fast and high-sensitivity MCP-PMTs²⁾.

4. 1 Construction

4. 1. 1 Construction of MCPs

Figure 4-1 illustrates the schematic construction of an MCP. The MCP consists of a two-dimensional array of a great number of glass capillaries (channels) bundled in parallel and formed into the shape of a thin disk. Each channel has an internal diameter ranging from 6 to 20 microns with the inner wall processed to have the proper electrical resistance and secondary emissive properties. Accordingly, each channel acts as an independent electron multiplier. The cross section of a channel and its principle of multiplication are illustrated in Figure 4-1 (b). When a primary electron impinges on the inner wall of a channel, secondary electrons are emitted. Being accelerated by the electric field created by the voltage V_D applied across both ends of the MCP, these secondary electrons bombard the channel wall again to produce additional secondary electrons. This process is repeated many times along the channel and as a result, a large number of electrons are released from the output end.

MCPs are quite different in structure and operation from conventional discrete dynodes and therefore offer the following outstanding features:

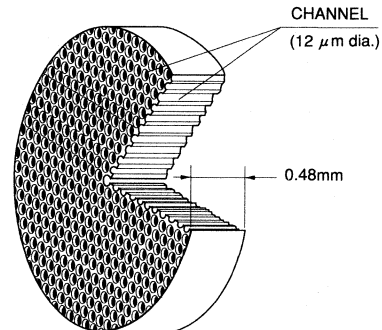
- ① High gain despite compact size
- ② Two-dimensional detection with high spatial resolution
- ③ Fast time response
- ④ Stable operation even in high magnetic fields
- ⑤ Sensitive to charged particles, ultraviolet radiation, X rays, gamma rays, and neutrons
- ⑥ Low power consumption and light weight

There are various types of detectors that utilize the advantages offered by MCPs, for example image intensifiers for low-light-level imaging, fast time response photomultiplier tubes that incorporate an MCP (MCP-PMTs), position-sensitive multianode photomultiplier tubes, streak tubes for ultra-fast photometry, and photon counting imaging tubes for ultra-low light level imaging.

4. 1. 2 Construction of an MCP-PMT

Figure 4-2 shows the cross section of a typical MCP-PMT. This tube consists of an input window, photocathode, MCP, and anode. The photoelectrons emitted from the photocathode are directed into the channels of the MCP. When these electrons impinge on the inner wall they are multiplied by means of secondary emission. This process is repeated along the channels, and finally a large number of electrons are collected by the anode as an output signal. The MCP is arranged at a distance of 2 millimeters or less from the photocathode, forming a close-proximity structure. A photograph

(a) Schematic construction of an MCP



(b) Principle of multiplication

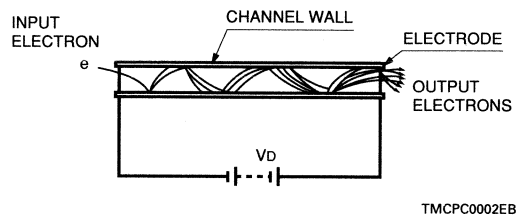


Figure 4-1: Schematic construction of an MCP and its principle of multiplication

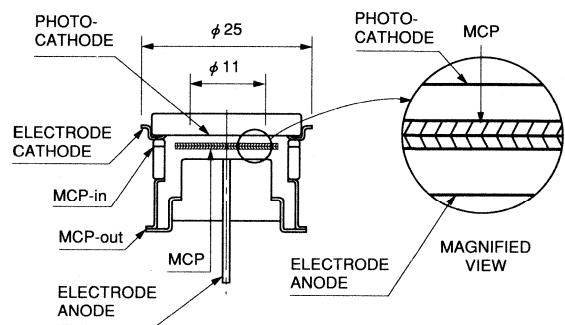


Figure 4-2: Construction of an MCP-PMT

of an actual MCP-PMT complete with housing is shown in Figure 4-3.

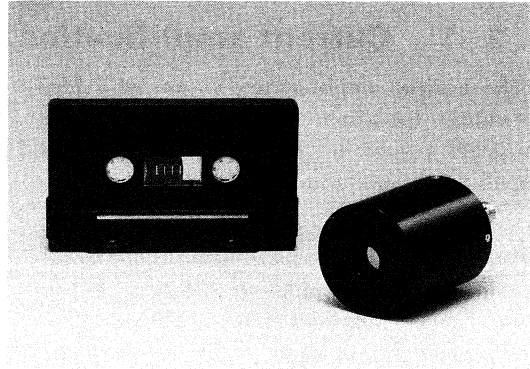
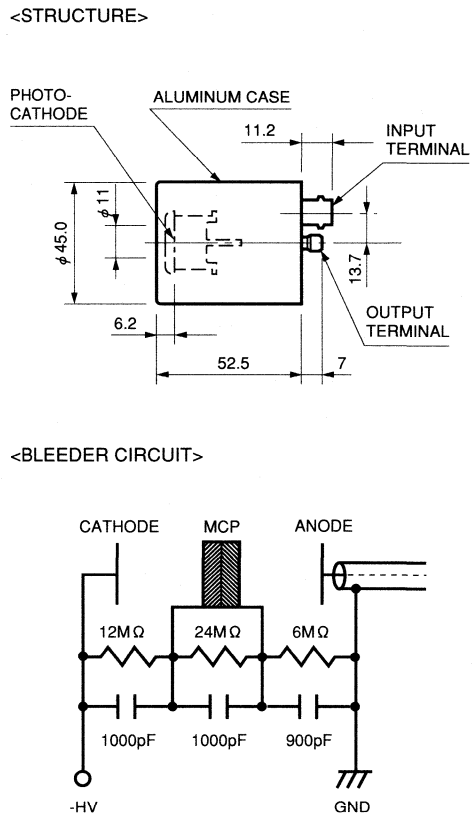


Figure 4-3: External view of an MCP-PMT

4. 1. 3 Bleeder circuit and housing structure

Figure 4-4 shows a basic bleeder circuit used to operate an MCP-PMT (with a two-stage MCP) and the configuration of the housing that contains the MCP-PMT with the bleeder circuit.

As shown in the figure, a negative high voltage is normally applied to the photocathode, and the bleeder circuit gives a voltage gradient between the photocathode, MCP-in, MCP-out, and the anode by dividing the high voltage with properly selected resistors. The bleeder circuit and housing are designed with careful consideration given to prevent “ringing” which may be caused by high-frequency signals, so that the output waveform distortion is suppressed to a minimum level.



TPMHC0011EA

Figure 4-4: Housing configuration and operating circuit for the MCP-PMT

4. 2 Basic characteristics of MCP-PMTs

4. 2. 1 Current amplification characteristics

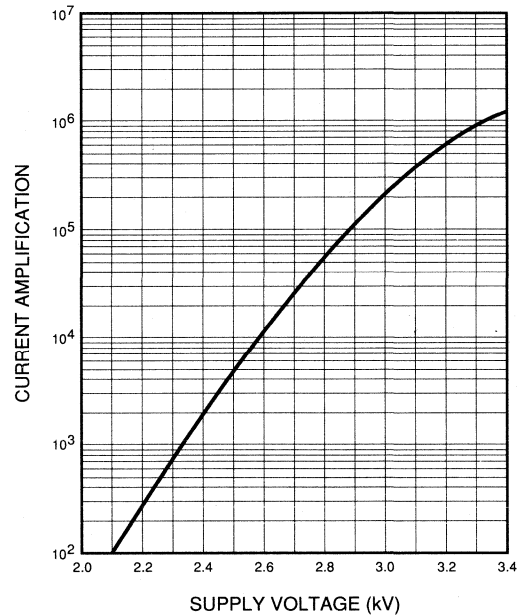
The current amplification of an MCP-PMT depends on the number of MCPs incorporated in the tube. Figure 4-5 shows a typical current amplification curve of an MCP-PMT.

The current amplification or gain¹⁾ (μ) of an MCP is determined by the channel length (L), the length-to-diameter ratio α ($=L/d$) of a channel, and the specific electric field intensity defined as the voltage drop per unit channel length ($\bar{V}_D=V_D/\alpha$), and, thus is given by

$$\mu = \text{EXP}(G \cdot \alpha)$$

where G is the gain factor related to the inherent characteristics of the MCP materials. Since this gain factor G varies pretty much in proportion to the voltage applied to the MCP, the MCP gain varies exponentially with respect to the applied voltage.

In the case of MCPs made from the same materials, a change in the gain factor shows a similar characteristic with respect to the specific electric field intensity per unit length, $\bar{V}_D=V_D/\alpha$. This means that MCPs with different gain characteristics can be fabricated by selecting the proper α .



TPMHB0077EA

Figure 4-5: Typical current amplification of an MCP-PMT (two-stage MCP with 6 μm channel diameter)

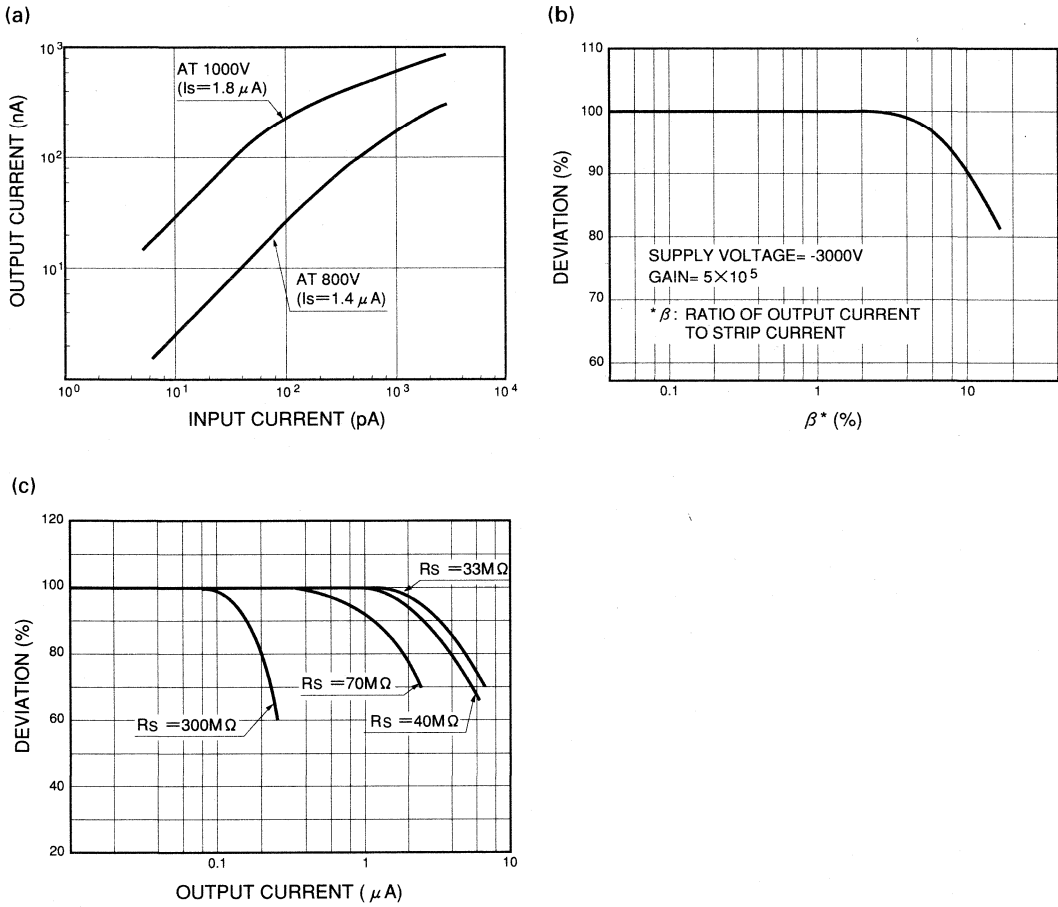
4. 2. 2 Saturation characteristics¹⁾

In general, the saturation of a photodetector is defined as the phenomenon in which the amount of output signal is no longer proportional to the incident light intensity. In the case of MCP-PMTs, this saturation is caused by disturbed potential distribution and space charge effects inside the MCP, being different from those of normal photomultiplier tubes using multiple stages of discrete dynodes.

(1) Saturation in DC operation (analog mode)

An MCP has a resistance ranging from several tens to several hundreds of megohms, which limits the strip current flowing through the MCP. Because of this, output current saturation occurs as the input current increases, as shown in Figure 4-6 (a). This is mainly caused by a decrease in the electric field intensity due to variations in the potential distribution at the output end of the MCP.

Figure 4-6 (b) shows typical gain variations versus the ratio of the output current to the strip current (β). Saturation begins to occur when the output current reaches 5 percent of the strip current. Figure 4-6 (c) shows gain variations of MCPs with different resistance values. It is obvious that the DC linearity greatly depends on the resistance.



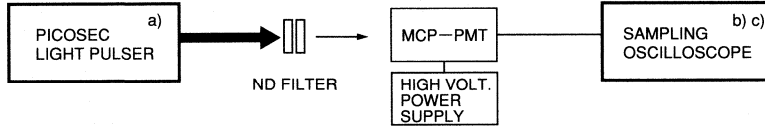
TPMHB0078EA

Figure 4-6: Saturation characteristics of MCPs in DC operation

(2) Pulse gain saturation characteristics in an MCP non-saturated range (analog mode)

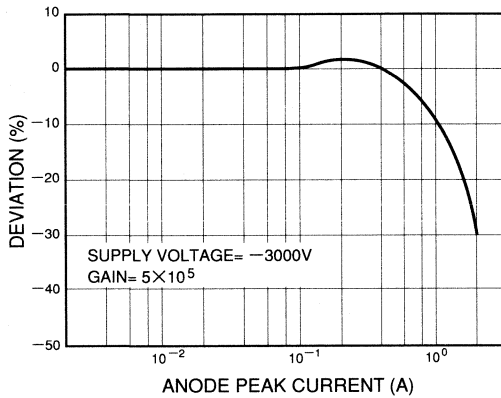
As long as an MCP is operated in the non-saturation range (with gain from 0 to about 10^4), it assures good linearity even if multiple electrons enter one channel at very short intervals. Figure 4-7 shows the linearity data of an MCP-PMT operated in the non-saturation range to detect pulsed light.

(a)

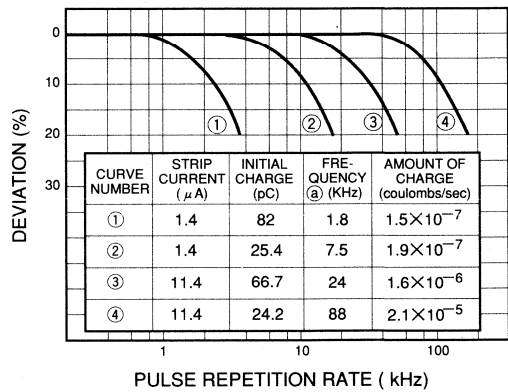


- a) PICOSEC LIGHT PULSER: HAMAMATSU PLP-01
WAVELENGTH 410nm HALF WIDTH 35pS
- b) SAMPLING OSCILLOSCOPE: TEKTRONIX 11802
FREQUENCY BAND 20GHz
- c) SAMPLING HEAD: SD-26

(b) Pulse linearity (Effective MCP diameter 18mm, channel diameter 6 μm)



(c) Pulse repetition rate and pulse linearity (Effective MCP diameter 18mm, channel diameter 6 μm)



(a) at 5% deviation

TPMHB0079EB

Figure 4-7: Typical pulse linearity of an MCP-PMT

Figure 4-7 (a) shows a block diagram for measuring pulse linearity. A picosecond light pulser (Hamamatsu PLP-01) is used as the light source. The intensity of the pulsed light is adjusted by ND (neutral density) filters and input to the MCP-PMT. Figure 4-7 (b) shows a typical pulse linearity plot for a proximity-focused MCP-PMT measured at a pulse repetition rate of 100 hertz. Under these conditions, pulse currents up to 700 milliamperes can be extracted. When the pulse repetition rate is changed, it greatly affects the linearity as shown in Figure 4 (c). In the analog mode, the saturation mechanism for pulse linearity differs depending on the pulse repetition rate. When the repetition rate is lower than that determined by the total number of MCP channels and the MCP dead time, the maximum pulse current is given by the following relation:

$$\text{Pulse current} = \frac{\text{Output charge}}{\text{Pulse width}}$$

Under these operating conditions, the maximum pulse current is determined by the product of the number of electrons that can be released from the MCP and the number of MCP channels. On the other hand, if the repetition rate increases more than the above parameter, then the maximum pulse current is affected by the ratio of the strip current to the total amount of charge which is the product of the charge per pulse and the repetition rate.

(3) Pulse gain characteristics in the MCP saturation range (digital mode)

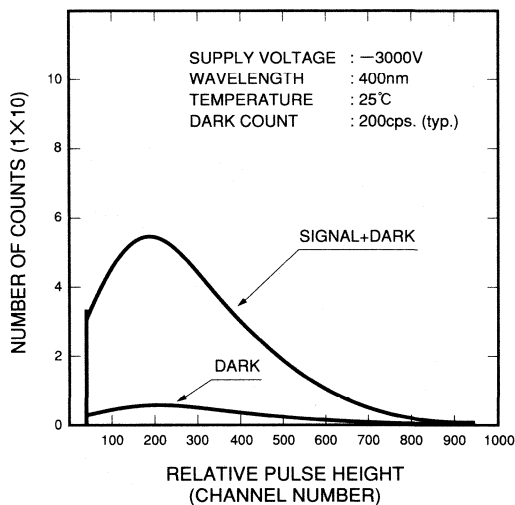
In the MCP saturation range (at gain 10^5 to 10^6), the output will be saturated even if only one electron enters a channel. Each saturated channel will lose analog-mode linearity. Thus, in this range the MCP should be operated in the photon counting mode. The count rate is determined by the number of MCP channels, and statistically, when 1/10th of the total number of MCP channels are used, the count rate loss will be about 5 percent. If this is permissible, with a dead time¹⁾ (explained later) of 0.1 second and the number of MCP channels equal to 1×10^6 , the count-rate linearity can be maintained up to 10^6 counts per second (cps), as stated by the following equation:

$$(10^6 \times 1/10) \div 0.1 = 10^6 \text{ cps}$$

Figure 4-8 shows pulse height distributions of photoelectron signals and dark current pulses taken with an MCP-PMT in the photon counting mode. Since the MCP is operated in the saturation range, a distinct pulse height distribution for the signals is obtained.

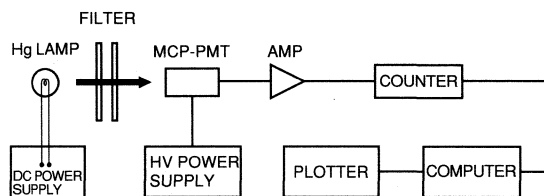
Figure 4-9 illustrates a block diagram for measuring the count-rate pulse linearity. Light intensity is reduced by neutral density filters down to the single photoelectron level at which each photoelectron pulse is detected by the MCP-PMT. The number of single photoelectron pulses is counted by the counter circuits connected to the MCP-PMT, and the count rate is measured and plotted while changing the number of incident photons.

Figure 4-10 indicates the linearity data for various MCPs versus different resistance values as a function of the count rate. It is clear that the count-rate linearity depends on the MCP resistance: the lower the resistance, the better the count-rate linearity will be.



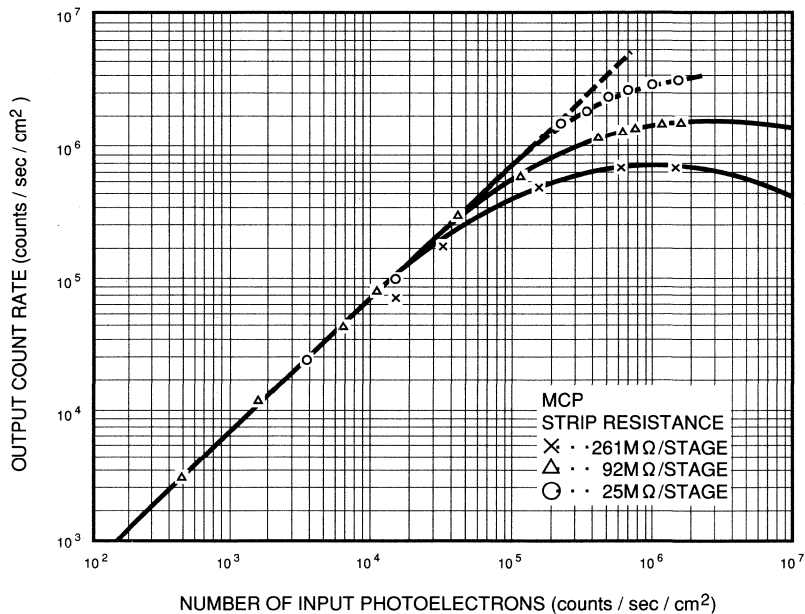
TPMHB0080EA

Figure 4-8: Typical pulse height distribution in single photon counting mode



TPMHC0012EA

Figure 4-9: Block diagram for measuring the count-rate linearity in the photon counting mode



TPMHB0081EA

Figure 4-10: Typical MCP-PMT 2-stage count-rate linearity in the photon counting mode

4. 2. 3 Dead time

When an MCP is irradiated by a pulsed electron current, the positive charge generated at the MCP output acts in accordance with the released electron current so as to suppress the subsequent electron multiplication. This charge is neutralized by the strip current flowing through the channel wall. A certain amount of time is required however because strip current is small due to the high resistance of the MCP. The time required for neutralization is referred to as the dead time¹⁾ or recovery time. If the output charge per channel is given by Q_{out} and the strip current per channel by I_s , then the dead time τ_d is given by the following relation:

$$\tau_d = Q_{out} / I_s$$

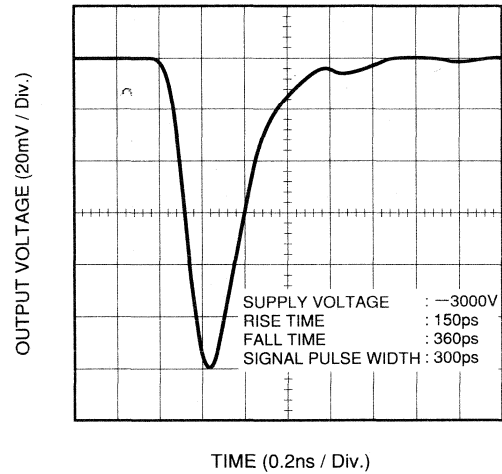
The dead time τ_d is a useful guide for estimating gain saturation, and experimentally it shows a value of approximately 140 milliseconds.

4. 2. 4 Timing properties

As discussed in the previous chapter on photomultiplier tube timing properties²⁾, the electron transit time widens due to the emission-angle distribution and initial-velocity distribution of the photoelectrons and secondary electrons as well as the effect of the accelerating lens. This results in a time-broadening of the signal pulse in the multiplication process from the photocathode through the anode. Since MCP-PMTs employ an MCP in place of conventional dynodes, the electron transit time can be shortened. In addition, the transit time spread can be significantly improved compared to normal photomultiplier tubes because a nearly parallel electric field is applied between the photocathode, the MCP, and the anode. Furthermore, the proximity-focused MCP-PMT offers a short distance from the photocathode to the MCP between which a high electric field is applied so that the emission-angle distribution of the photoelectrons can be virtually ignored.

(1) Rise/fall times

The rise and fall times of an MCP-PMT are evaluated from the output waveform when the MCP-PMT detects a light pulse whose width is sufficiently short compared to the time response of the MCP-PMT. These parameters are especially important when observing the waveform of ultra-short pulsed light. For the measurement method, refer to Section 3.3.1, "Timing properties". Figure 4-11 shows a actual waveform obtained with an MCP-PMT.



TPMHB0082EA

Figure 4-11: Pulse response waveform of MCP-PMT (R3809U)

(2) Transit time

The transit time is the time delay between the input of a light pulse at the photomultiplier tube and the appearance of the output pulse from the photomultiplier tube. For the measurement method, refer to Section 3.3.1, "Timing properties".

(3) TTS (transit time spread)

When a light pulse enters an MCP-PMT, the photocathode converts the light energy into an electron pulse which travels to the anode while being multiplied. The transit time of each pulse differs depending on each event. The distribution of this transit time is referred to as the transit time spread or TTS. The TTS of an MCP-PMT is measured with the incident light intensity reduced down to single photon levels. The TTS is an important parameter, especially in the time-correlated photon counting technique³⁾ where the measurement of timing is of prime consideration. For the measurement method, refer to Section 3.3.1, "Timing properties". Figure 4-12 shows typical TTS data taken with an MCP-PMT.

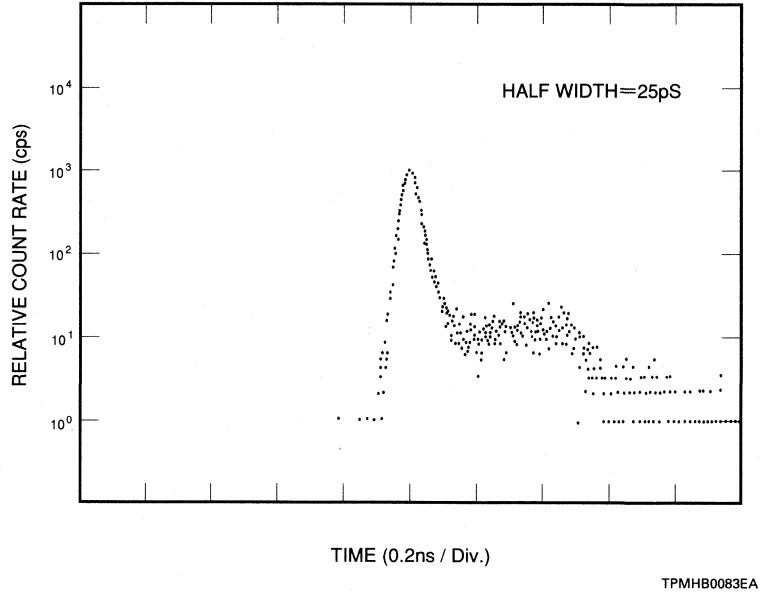


Figure 4-12: Transit time spread (TTS) of MCP-PMT (R3809U)

(4) Cathode transit time difference

In most photomultiplier tubes, the electron transit time differs with the position of photocathode illumination. When the entire photocathode is uniformly illuminated, the difference in transit time with respect to position is referred to as the cathode transit time difference or CTTD. The CTTD usually affects the TTS to a significant extent, but in the case of proximity-focused MCP-PMTs, it has little effect on the TTS. For the measurement method, refer to Section 3.3.1, “Timing properties”.

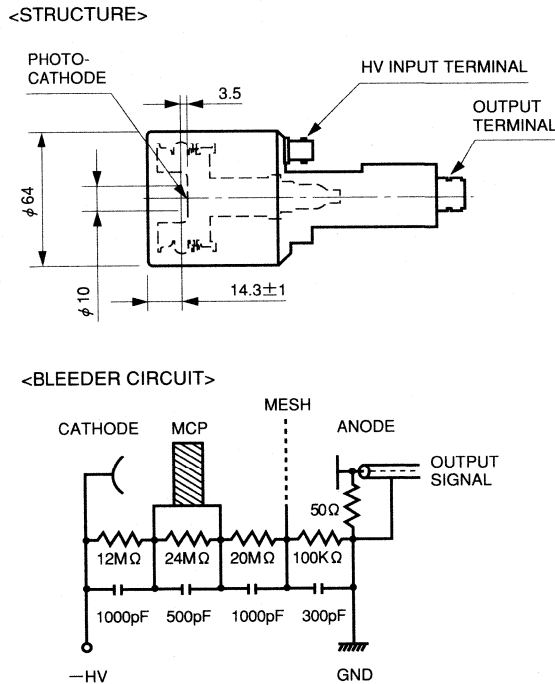
Timing properties of various MCP-PMTs are summarized in Table 4-1 below. The less the number of MCP stages and the smaller the channel diameter, the better the timing properties. The rise time ranges from 0.1 to 0.3 nanoseconds but the fall time does not show a correlation with the rise time. This is probably due to the difference in electrostatic capacity between the MCP and the anode. The gated MCP-PMT (R2024U) is slightly inferior in timing properties as compared to other types. This is because the gate mesh located near the cathode prevents the photoelectrons from traveling normally.

MCP-PMT Type No.	Rise Time (ns)	Fall Time (ns)	Transit Time (ns)	TTS (Half Width) (ps)
R2809U (6 μm /2 stages)	0.15	0.7	0.4	30
R3809U (6 μm /2 stages)	0.15	0.35	0.4	25
R2024U (12 μm /2 stages)	0.3	1.0	3.5	120
R2566U (6 μm /2 stages)	0.1	0.1	0.4	—

Note: Listed are typical values including the overall jitter of the light source and circuitry. A picosecond laser with a pulse width less than 5 picoseconds (FWHM) is used to measure the TTS. The R3809U is a compact type; the R2024U is a gated type; and the R2566U is a triode type. (See Figure 4-13.)

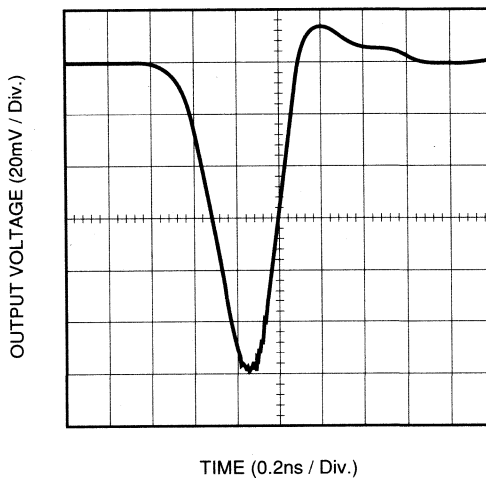
Table 4-1: Quick reference for MCP-PMT timing properties

Next, let us introduce the R2566U MCP-PMT which offers significant improvements in timing properties. The construction and the bleeder circuit of the R2566U are shown in Figure 4-13. This tube has been developed specifically for use in ultra-fast photometry. A specially designed mesh electrode is provided between the MCP and the anode as shown in the figure. This mesh cancels out the displacement current generated at the time that the secondary electrons emitted from the MCP are accelerated toward the anode. Figure 4-14 shows a typical output waveform from the R2565U. Ultrafast time response with rise and fall times of 100 picoseconds is obtained.



TPMHC0013EA

Figure 4-13: Configuration and internal bleeder circuit of the R2566U



TPMHB0084EA

Figure 4-14: Time response waveform of the R2566U

4. 2. 5 Magnetic characteristics²⁾

As stated in the section on photomultiplier tubes designed for use in highly magnetic environments, the following points are essential to improve magnetic characteristics.

- (1) The distance between the photocathode, dynodes and anode should be shortened to minimize the electron transit distance.
- (2) The electrodes should be designed to apply a parallel electric field from the photocathode to the anode so that the secondary electrons do not converge but travel in parallel to the tube axis.
- (3) A high electric field intensity should be applied.

The MCP-PMT meets all the above requirements and thus provides superior magnetic characteristics. Figure 4-15 shows typical magnetic characteristics of an MCP-PMT. The extent of the effect of a magnetic field on the output depends on the direction of the magnetic field with respect to the MCP axis. In magnetic fields parallel to the tube axis, the MCP-PMT can operate at up to 2.0 Tesla (20 kilogausses), but in magnetic fields perpendicular to the tube axis, the output drops drastically if fields exceed 0.07 Tesla (700 gauss).

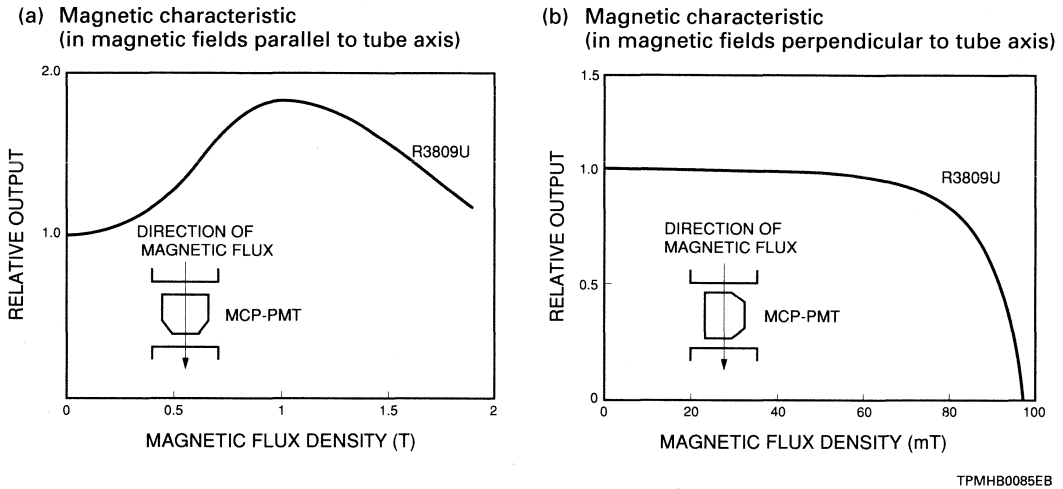


Figure 4-15: Typical magnetic characteristics of an MCP-PMT

4. 3 Gated MCP-PMT²⁾

In applications in fields such as fluorescence lifetime measurement, laser Raman spectroscopy, and laser radar, photodetectors with a gate function are often required for more precise measurements. The gate function should have the following performance characteristics:

- (1) Highest possible gating speed
- (2) Large extinction ratio (gate on/off ratio)
- (3) Low switching noise

Figure 4-16 illustrates the structure of a gated MCP-PMT. This tube basically consists of a photocathode, gate mesh, MCP and anode. The gating function is performed by controlling the gate mesh. Which is positioned in close proximity to the photocathode as shown in Figure 4-16. Applying a

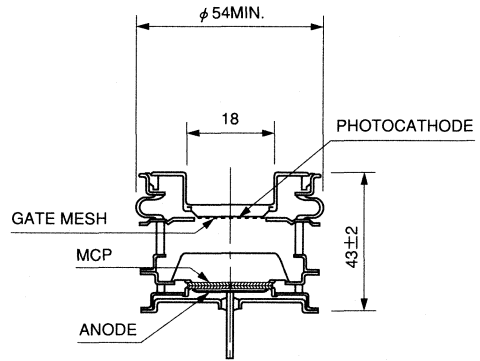
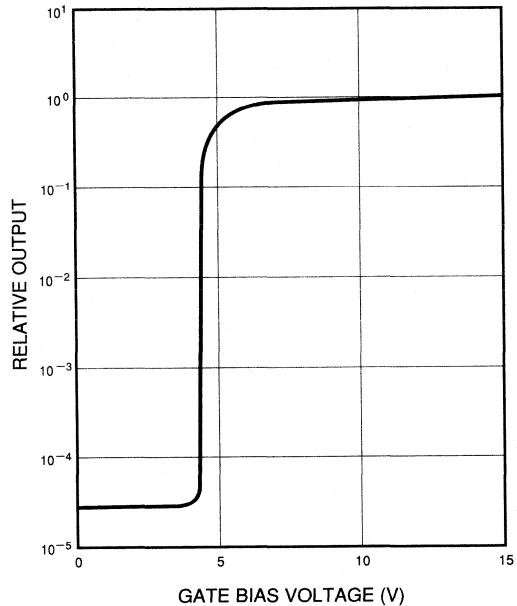


Figure 4-16: Structure of an MCP-PMT with gate mesh

reverse potential with respect to the photocathode potential to the gate mesh sets the “off” mode, while applying a forward potential sets the gate operation “on” mode.

Figure 4-17 shows the basic characteristic of the gate function for a typical extinction ratio taken with a gated MCP-PMT operating under static conditions. This data was measured with the photocathode potential maintained at 0 volts and proves that the extinction ratio is better than 10^{-4} (incident light wavelength: 500 nanometers).

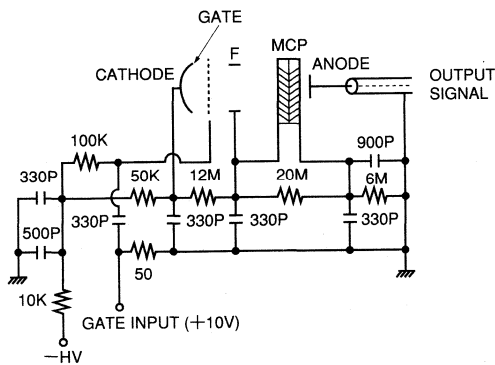
Figure 4-18 (a) shows the bleeder circuit, and (b) shows the dynamic gate performance obtained with a gated MCP-PMT when a gate pulse is applied while continuous light is allowed to strike the tube. The gate operation starts in as little as one nanosecond.



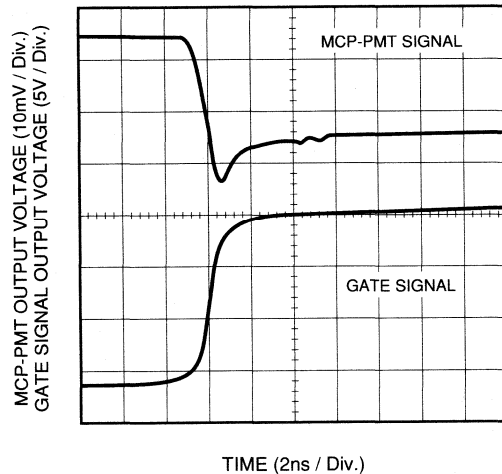
TPMHB0086EA

Figure 4-17: Extinction ratio characteristic under static operating conditions

(a) Bleeder circuit



(b) Gate characteristic



TPMHC0015EA

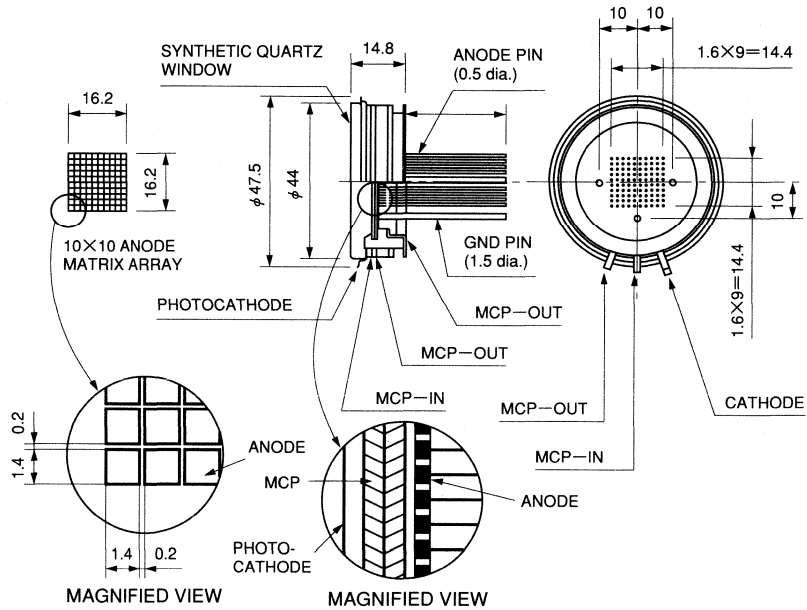
Figure 4-18: Built-in bleeder circuit and dynamic gate characteristic

As explained above, the gated MCP-PMT offers significant improvement in gate speed and extinction ratio in comparison with conventional photomultiplier tubes.

4. 4 Multianode MCP-PMT⁴⁾

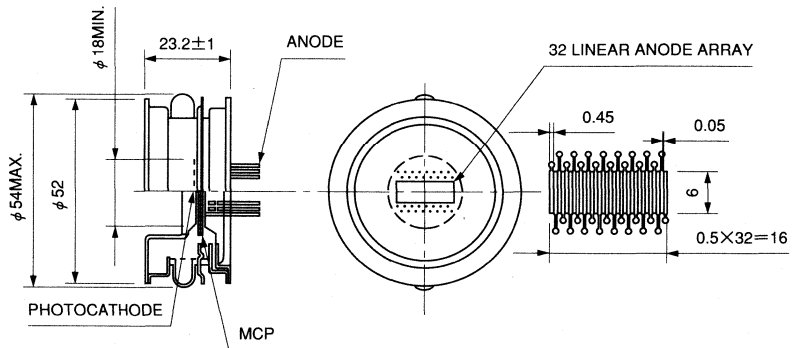
The previous sections mainly discussed MCP-PMTs having a single anode. Recently a variety of MCP-PMTs with independent multianodes have been developed and put into practical use. These multianode MCP-PMTs offer simultaneous, two-dimensional (or one-dimensional) detection as well as fast response speed and low-light-level detection.

The construction of typical multianode MCP-PMTs are illustrated in Figures 4-19 and 4-20.



TPMHA0020EB

Figure 4-19: Multianode MCP-PMT with 10 x 10 anode format

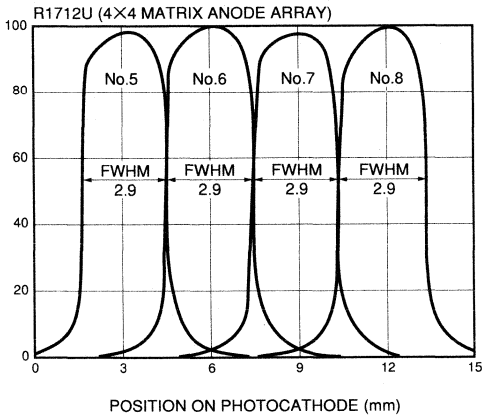


TPMHA0126EA

Figure 4-20: 32 linear multianode MCP-PMT

Figure 4-21 indicates the spatial resolution of various multianode MCP-PMTs. These consist of the output profile of each anode when a light spot of approximately 20 μ m diameter is scanned over the photocathode.

(a) 4 × 4 matrix anode array

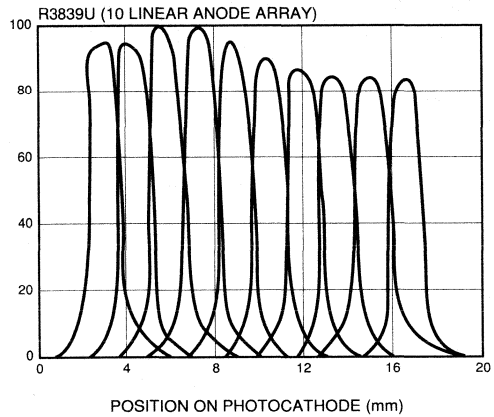


SUPPLY VOLTAGE : -2000V
 WAVELENGTH : 400nm
 LIGHT SPOT DIAMETER : 0.02mm

LIGHT SCAN

□	□	□	□
5	6	7	8
□	□	□	□
□	□	□	□

(b) 10 linear array

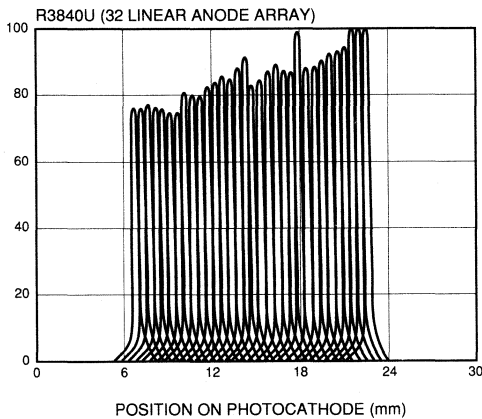


SUPPLY VOLTAGE : -2000V
 WAVELENGTH : 400nm
 LIGHT SPOT DIAMETER : 0.02mm

LIGHT SCAN

1	2	3	4	5	6	7	8	9	10
---	---	---	---	---	---	---	---	---	----

(c) 32 linear anode array

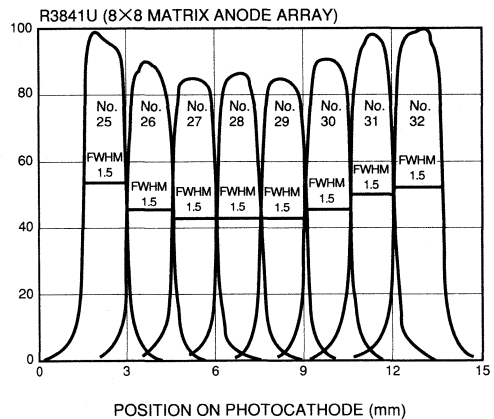


SUPPLY VOLTAGE : -2000V
 WAVELENGTH : 400nm
 LIGHT SPOT DIAMETER : 0.02mm

LIGHT SCAN

1	2	3	4	5	6	7	8	9	10	11	12	13	14	15	16	17	18	19	20	21	22	23	24	25	26	27	28	29	30	31	32
---	---	---	---	---	---	---	---	---	----	----	----	----	----	----	----	----	----	----	----	----	----	----	----	----	----	----	----	----	----	----	----

(d) 8 × 8 matrix anode array



SUPPLY VOLTAGE : -2000V
 WAVELENGTH : 400nm
 LIGHT SPOT DIAMETER : 0.02mm

LIGHT SCAN

□	□	□	□	□	□	□	□
□	□	□	□	□	□	□	□
□	□	□	□	□	□	□	□
□	□	□	□	□	□	□	□
□	□	□	□	□	□	□	□
□	□	□	□	□	□	□	□
□	□	□	□	□	□	□	□
□	□	□	□	□	□	□	□

TPMHB0087EA

Figure 4-21: Examples of spatial resolutions taken with various multianode MCP-PMTs

The following applications are possible by making use of the advantages of multianode MCP-PMTs.

- (1) Simultaneous, two-dimensional detection of a luminous body which is spatially spread at low light levels
- (2) Simultaneous, multichannel time-resolved spectroscopy using optical fibers
- (3) Multichannel readout from scintillating fibers

As listed in Table 4-2, the family of multianode MCP-PMTs includes 10 linear anodes, a 32 linear anode type, a 4×4 matrix anode type, and an 8×8 matrix anode type. Furthermore, multianode MCP-PMT assemblies equipped with connectors and cables are available. The anode configurations listed in Table 4-2 are just typical examples. Other anode configurations and the number of anodes are also available upon request.

Type No.	Anode Configuration
R1712U	4×4 matrix anodes
R3839U	10 linear anodes
R3840U	32 linear anodes
R3841U	8×8 matrix anodes
R4110U	10×10 matrix anodes

Table 4-2: Examples of multianode MCP-PMTs

References in Chapter 4

- 1) Hamamatsu Photonics Technical Information: MCP assembly, No.TMCP9001J01
- 2) Hamamatsu Photonics Catalog: Ultrafast MCP-PMT R3809U (FEB. 1992).
Hamamatsu Photonics Catalog: Microchannel Plate - Photomultiplier Tubes (MCP-PMTs), No.T-112-02 (FEB. 1990)
H. Kume et al.: Ultrafast Microchannel Plate - Photomultiplier Tubes, Applied Optics, Vol. No. 27 (Mar. 15, 1988).
- 3) Hamamatsu Photonics Technical Information: Applications of MCP-PMTs to Time Correlated Single Photon Counting and Related Procedures. No.ET-03 (FEB. 1991).
Time-Correlated Single Photon Counting Desmond V. O'connor, David Phillips Academic Press (Harcourt Brace Jovanovich, Publishers) The Royal Institution, London, UK.
- 4) Hamamatsu Photonics Catalog: Multianode MCP-PMT Series, No.T-1000 (FEB. 1989).

CHAPTER 5

ELECTRON MULTIPLIER TUBES

Electron multiplier tubes (EMT) are capable of detecting ions, electrons, soft X-rays, and vacuum ultraviolet (VUV) radiation. They are used in various models of mass spectrometers¹⁾ and electron microscopes²⁾.

5. 1 Electron Multiplier Tubes

5. 1. 1 Construction of an electron multiplier tube

The construction of an electron multiplier tube is basically identical with the dynode section and anode used in a photomultiplier tube. (See Figure 5-1.)

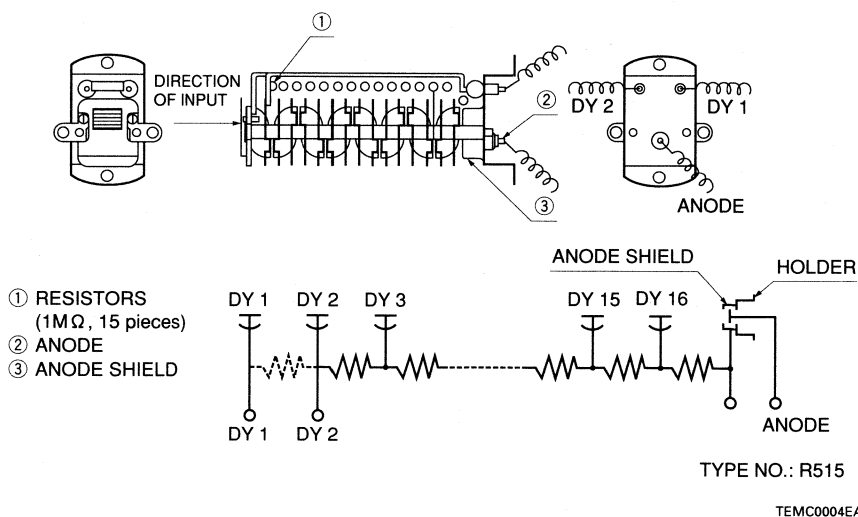


Figure 5-1: Construction of an electron multiplier tube

An electron multiplier tube is operated in a vacuum, and the ions, electrons, VUV radiation, or soft X-rays to be detected are guided so as to enter the first stage. The first stage excited by such particles or radiation emits secondary electrons or photoelectrons. These generated electrons are multiplied in a cascade just as is done in a photomultiplier tube and finally reach the anode. As can be seen from Figure 5-1, voltage dividing resistors (bleeder resistors: about one megohm per stage) are usually welded between each dynode.

Electron multiplier tubes are mainly used for the detection and measurement of gas ions and electrons. However they can be used as detectors in the spectral range from VUV to soft X-ray by utilizing the first stage as a photocathode.

In addition to these electron multiplier tubes, single units of microchannel plates (MCPs) described in Chapter 4 can also be used in the detection of ions, electrons, VUV radiation and soft X-rays.

5. 1. 2 Composition of the secondary emissive surface

The dynodes of electron multiplier tubes are made of copper containing several percent of beryllium. The surface of these copper-beryllium electrodes is activated and a thin film of beryllium oxide is formed on the dynode structure, which emits secondary electrons in response to ions, electrons, VUV radiation and X-rays. This beryllium oxide layer is chemically very stable. Even if exposed to air, it provides stable characteristics with extremely low deterioration. In addition, its high work function and small dark current make it possible to detect even a very small quantity of charged particles.

5. 1. 3 Type of dynodes

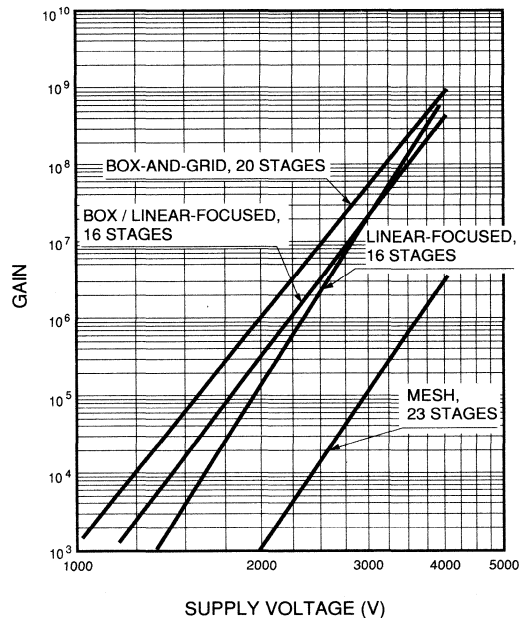
In most cases, the use of box-and-grid dynodes consisting of 16 to 20 stages is preferred due to their high amplification factor. Other types are also used depending on the application.

- ① **Box-and-grid:** This dynode is most frequently used because of high gain. The number of stages usually ranges from 16 to 20, achieving a gain of 10^7 to 10^8 at an applied voltage of 2 to 3 kilovolts.
- ② **Mesh:** The mesh type dynode provides a large effective area, yet it offers a short overall length. The mesh type can operate stably even in a high magnetic field and its timing properties depends less on the incident position thanks to the planar structure. This makes it well suited to applications utilizing time-of-flight (TOF) measurement such as mass spectrometers.
- ③ **Linear-focused:** This type dynode features compactness and fast response time. Since the horizontal width can be made narrow, it is well suited for configuring a multichannel detector.
- ④ **Box-and-line:** This type dynode offers the merits of both box-and-grid and linear-focused types: high gain and fast response time. The number of stages used is commonly comprised of from 16 to 20, but the overall length can be shortened in comparison with the box-and-grid type.

5. 2 Characteristics of Electron Multiplier Tubes

5. 2. 1 Current amplification

As in the case of photomultiplier tubes, the current amplification or gain (μ) of an electron multiplier tube is theoretically expressed as $\mu = A \cdot V^{kn}$. (Refer to Section 3.2.) Because the secondary emission ratio of the dynodes used for electron multiplier tubes is low compared to that used for photomultiplier tubes, the number of dynodes usually consists of more than 16 stages. Figure 5-2 shows gain versus supply voltage characteristics for various types of dynodes. The box-and-grid type offers higher gain than other types. At the time of shipping, Hamamatsu provides all electron multiplier tubes with a specification sheet listing individual gain versus supply voltage characteristics.



TEMB0004EA

Figure 5-2: Gain versus supply voltage characteristics

5. 2. 2 Dark current and noise

As stated earlier, the secondary surface of the dynodes used for electron multiplier tubes is made of beryllium oxide (BeO) having a high work function. It therefore exhibits exceptionally low dark current. Even so, small amounts of dark current may be generated by the following factors:

1. Thermionic emission current
2. Leakage current from electrode support materials
3. Field emission current
4. Ionization current due to residual gases

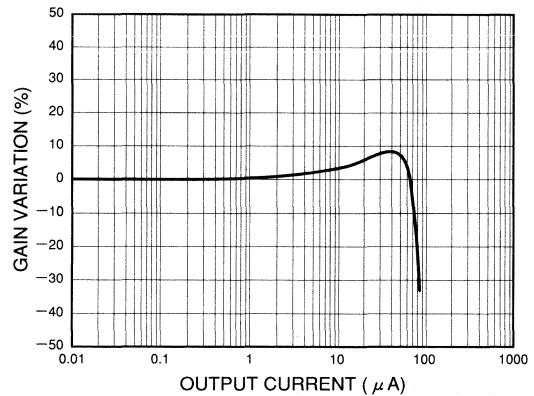
When operated at the rated voltage, the dark current of an electron multiplier tube is considerably lower in comparison with a photomultiplier tube. It is usually less than one hundred picoamperes.

As to the dark counts in pulse counting mode (Refer to Section 5.2.7.) electron multiplier tubes, for example types using box-and-grid dynodes, exhibit about one count per second. The dark counts are mainly caused by thermionic emission, field emission, and cosmic rays.

5. 2. 3 Linearity

Electron multiplier tubes usually incorporate bleeder resistors of about 1 megohm per stage. The output current in DC operation is limited by the bleeder current flowing through these resistors. (Refer to Section 7.1.3.)

Figure 5-3 shows a linearity plot of an electron multiplier tube having 16 dynode stages. As the output current increases, the gain abruptly drops after increasing slightly. This is a typical pattern for linearity dependent on the bleeder current. The linearity tends to improve by applying a higher voltage or reducing the total value of the bleeder resistors in order to increase the bleeder current.

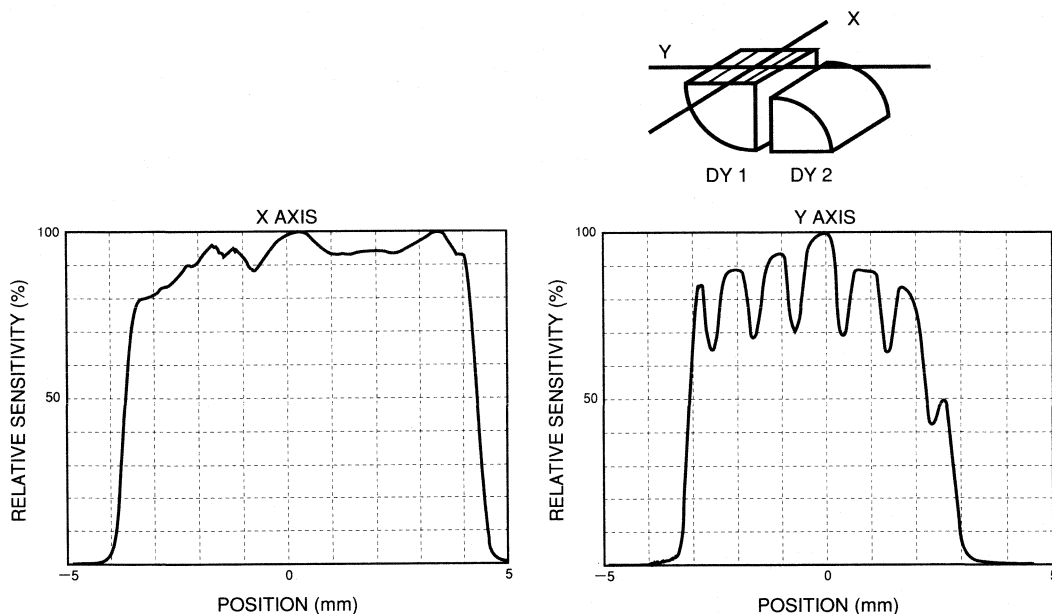


TEMB0005EA

Figure 5-3: Linearity

5. 2. 4 Uniformity

As with photomultiplier tubes, electron multiplier tubes exhibit variations in the anode output with respect to the incident position on the first dynode. Figure 5-4 shows variations in the anode output when an ultraviolet light spot is scanned over the first dynode. Considerable non-uniformity occurs when scanning in the Y-axis direction. Therefore, if the incident particles or light are spot-focused on the first dynode, it is necessary to select an incident position which provides high sensitivity. Doing this results in an improvement of the signal-to-noise ratio and also has preferable effects on resolution in pulse counting mode discussed in a latter section.

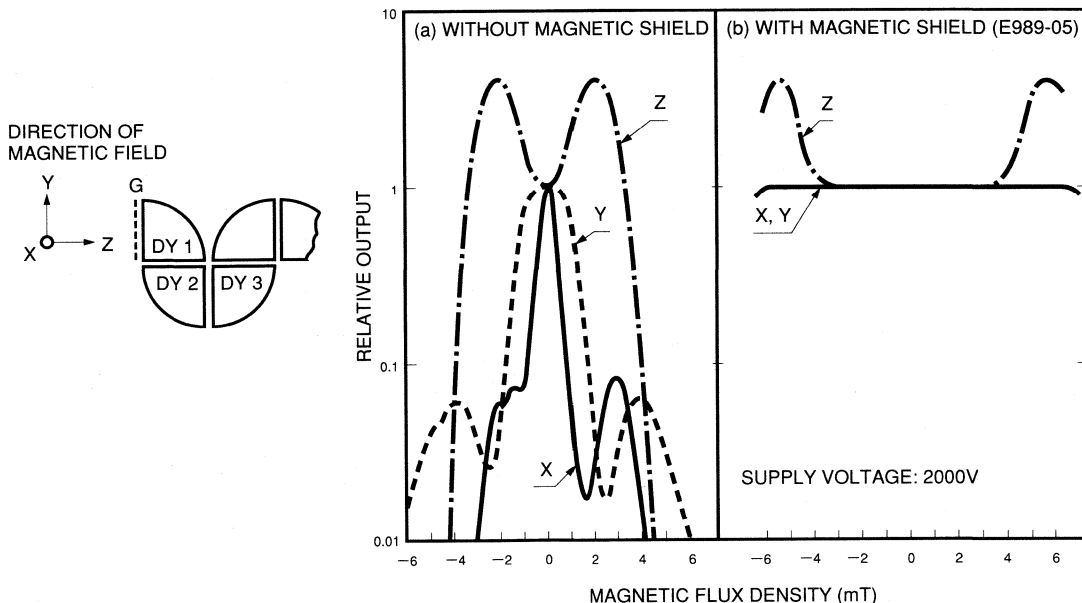


TEMB0006EA

Figure 5-4: Uniformity

5. 2. 5 Magnetic characteristics

When a magnetic field is applied to an electron multiplier tube, the electron trajectories are disturbed, causing a resultant change in the output current. This effect can be explained just as with the magnetic characteristics of a photomultiplier tube. Figure 5-5 indicates typical magnetic characteristics of an electron multiplier tube with and without a magnetic shield. It is clear that use of a magnetic shield is essential to reduce the effects of magnetic fields.



TEMB0007EA

Figure 5-5: Magnetic characteristics

5. 2. 6 Time stability

Figure 5-6 shows typical time stability for an electron multiplier tube. This is the gain variation or gain drift measured when ultraviolet radiation strikes the first dynode after the electron multiplier tube has been evacuated by an ion pump (to 10^{-6} pascal or less). Gain drift greatly varies with the ambient conditions under which the electron multiplier tube is operated and the magnitude of the anode output current. Moreover, in the case of ion detection, the first dynode sensitivity degrades, depending on the type of gas and incident energy.

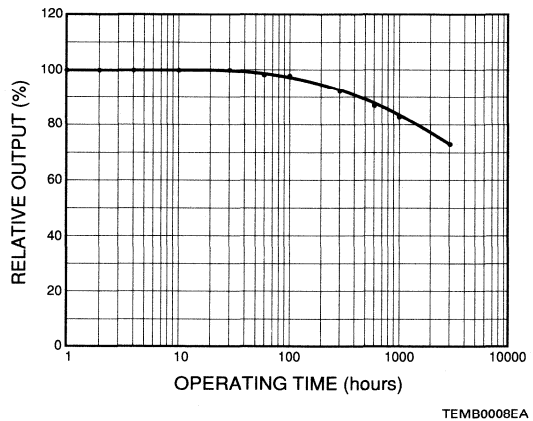


Figure 5-6: Time stability

5. 2. 7 Pulse counting

In applications where high sensitivity is required, the pulse counting technique in which the number of output pulses is counted is frequently utilized. The principle and advantages of this technique are almost identical with the photon counting technique. (Refer to Section 3.4.) In pulse counting mode, the incident ultraviolet radiation or ions should strike the position on the first dynode which provides the highest anode output. If light or ions are incident on a position which produces a low anode output, the output pulse height resolution becomes poor. The pulse height resolution can be improved by changing the bleeder resistor ratio to a so-called "tapered bleeder" described later.

Figure 5-7 shows a typical pulse height distribution obtained when ultraviolet light from a deuterium lamp is confined to a spot of 1 millimeter diameter and irradiated onto an electron multiplier tube. This measurement employs a tapered bleeder in which higher voltages are applied to the initial few stages.

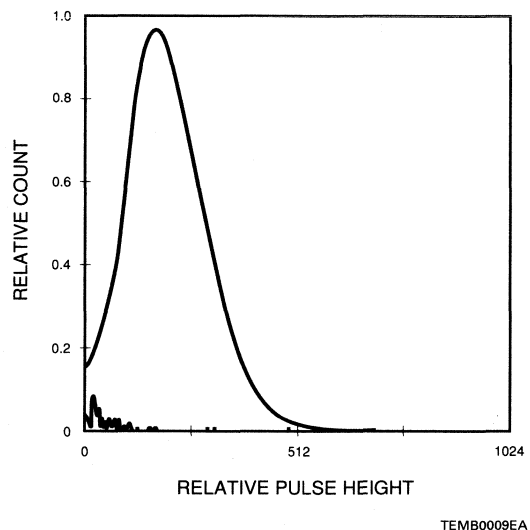
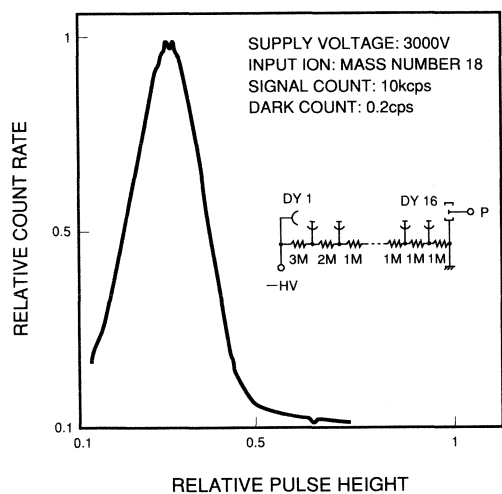


Figure 5-7: Pulse height distribution measured by the input of ultraviolet light

The tapered bleeder enhances the secondary emission ratios δ of the initial dynode stages and thus improves the pulse height resolution. The data plotted in Figure 5-7 shows a resolution of about 100 percent, but if measured with an equally-divided normal bleeder, the resolution will degrade to around 150 percent.

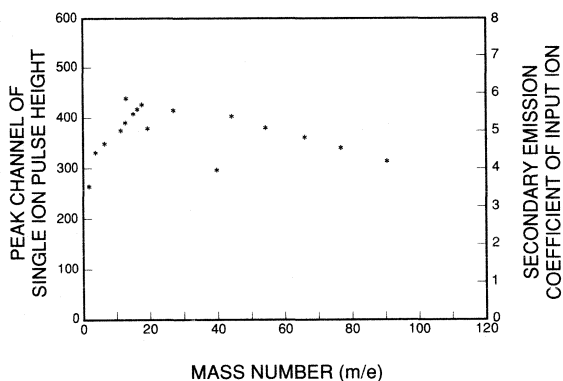
Figure 5-8 indicates a pulse height distribution obtained when ions with mass 18 enter an electron multiplier tube. As with Figure 5-7, this data was also measured using a tapered bleeder. In the case of ion irradiation, because multiple secondary electrons are released from the first dynode by the input of a single ion, the pulse height resolution improves compared to that taken with ultraviolet irradiation. This secondary emission ratio is determined by the dynode composition, ion energy and the type of ions.

In Figure 5-9, the relation between the secondary emission ratio and the type of ions (M/e) is shown. The secondary emission ratio decreases as the mass increases, with the peak around mass 18.



TEMB0010EA

Figure 5-8: Pulse height distribution measured by the input of ions



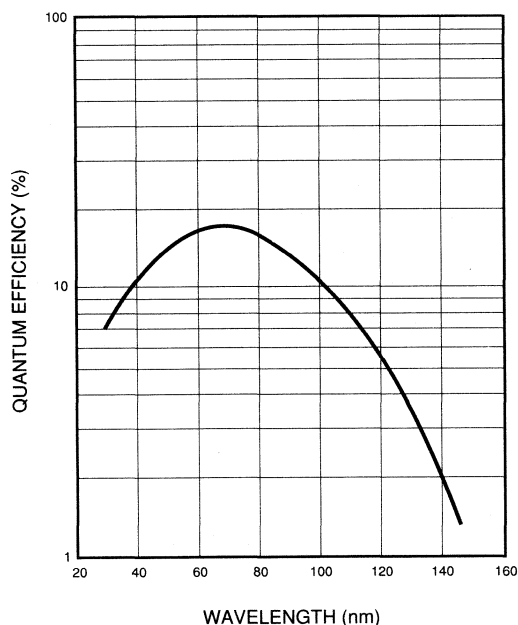
TEMB0011EA

Figure 5-9: Secondary emission ratio of the first dynode from the input of ion gas

5.2.8 Spectral response characteristics

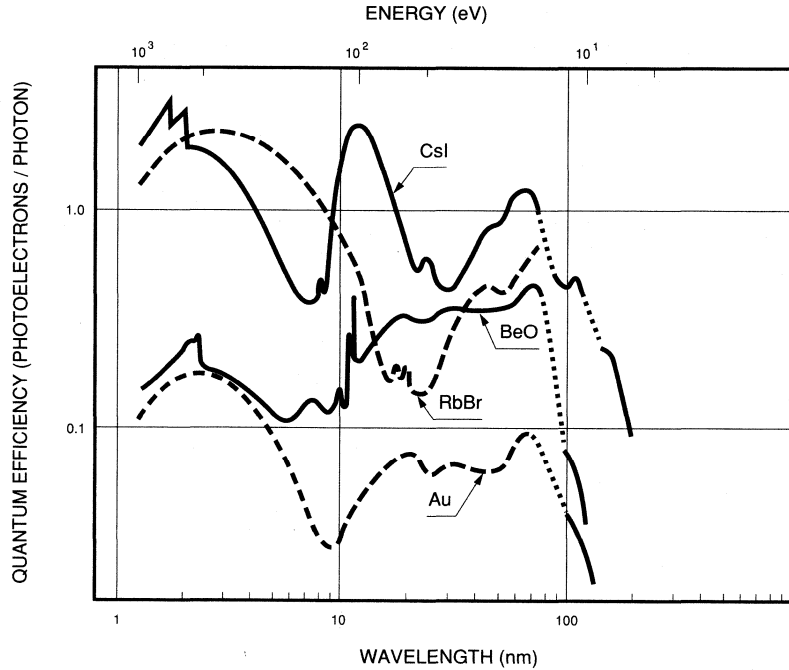
The beryllium oxide (BeO) used in the first dynode of an electron multiplier tubes has a sensitivity from soft X-ray to ultraviolet radiation at nearly 300 nanometers, but its quantum efficiency is not very high. Because of this, photomultiplier tubes with a magnesium fluoride (MgF_2) window are instead used for the detection of ultraviolet radiation⁴⁾. Electron multiplier tubes are effectively used in a wavelength range shorter than the cutoff wavelength of the MgF_2 window (approximately 115 nanometers). A typical spectral response for beryllium oxide is shown in Figure 5-10, covering a range from 30 to 140 nanometers. As explained later, the first dynode of an electron multiplier tube is replaceable. The beryllium oxide dynode can be replaced with another type optimized with a substance that suits the target wavelength range and operating conditions.

Figure 5-11 shows spectral response characteristics of CsI, BeO, RbBr and Au photocathodes in the range from 2 to 100 nanometers. Of these, the CsI photocathode offers the highest sensitivity in this spectral range, but exhibits deliquescence, so care is required in handling. Hamamatsu provides electron multiplier tubes having the first dynode coated with these substances or a replacement first dynode coated with these substances which are sealed in an evacuated container.



TEMB0012EA

Figure 5-10: Spectral response characteristic of beryllium oxide



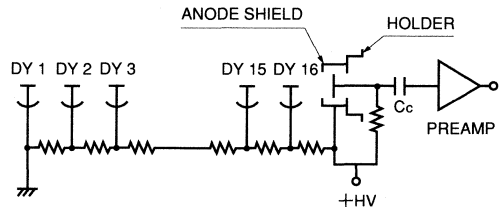
TEMB0013EA

Figure 5-11: Spectral response characteristics of various photocathodes (2 to 100nm)

5.3 How to use an electron multiplier tube

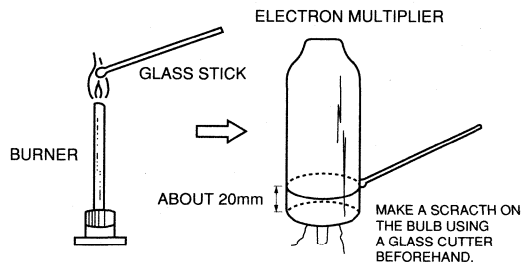
An electron multiplier tube is commonly operated with a negative high voltage applied to the cathode. However, it is also often operated with a positive high voltage applied to the anode, as for example in pulse counting and in the detection of primary electrons. In this case, since the holder is at the same potential as the anode shield, it has a positive potential. This holder must be electrically floated from the ground potential for proper operation. (Figure 5-12) Because of this, external circuits such as a preamplifier must be connected via a coupling capacitor (C_c) that can withstand a high voltage. Refer to Section 7.1.2 for further details.

Electron multiplier tubes are sealed in evacuated glass envelopes for shipping. When using the electron multiplier tube, this envelope must be removed by cutting it off from the bulb stem. This procedure is illustrated in Figure 5-13. After cutting off the envelope, remove the upper disc and leads retained at the wall of the glass envelope. Then install the electron multiplier tube in the equipment.



TEMC0001EA

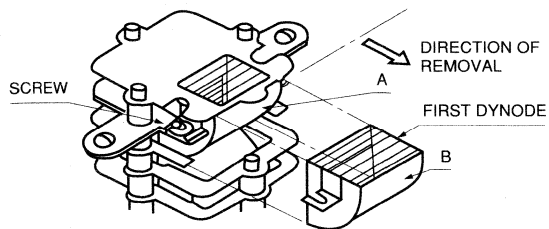
Figure 5-12: Bleeder circuit with positive high-voltage application



TEMC0002EA

Figure 5-13: Cutting off the glass envelope used during shipping

If the first dynode of a box-and-grid type is heavily fatigued, or a dynode other than the CuBe is required, for example the CsI or Au, the first dynode can be replaced. This procedure is illustrated in Figure 5-14.



TEMC0003EA

Figure 5-14: Replacing the first dynode

References in Chapter 5

- 1) S. Araki: Mass Spectroscopy, 3rd Edition, Modern Chemistry Series 2, Tokyo Chemical Coterie.
- 2) M. Prutton: Surface Physics 11, Oxford University Press.
- 3) T. Sugano, N. Mikoshiba, A. Hiraki: Surface electronics, Corona-sha.
- 4) T. Hayashi, H. Kume: Bunko Kenkyu, 29, 4, 250 (1980). (Published in Japanese)

NOTES

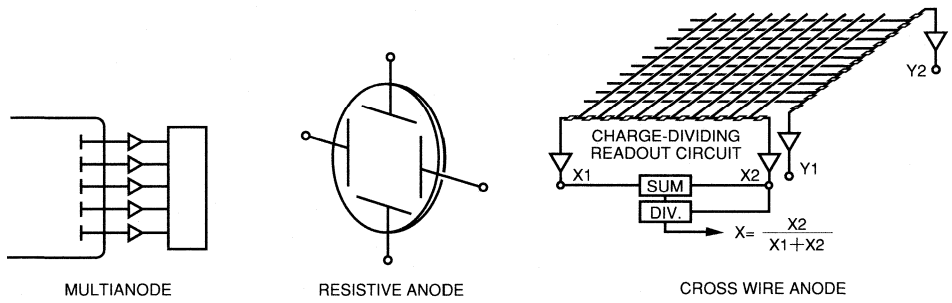
CHAPTER 6

POSITION-SENSITIVE PHOTOMULTIPLIER TUBES

Applicability of photomultiplier tubes to low-light-level measurement greatly relies on the high gain offered by dynodes. Conventional dynode structures include the box-and-grid type, linear-focused type, circular-cage type and venetian-blind types. Recently the MCP (microchannel plate) has also come into use as a dynode with versatile capabilities. The box-and-grid types feature high gain and wide dynamic range and the MCP offers ultra-fast response time and excellent spatial resolution. They are used in various types of photomultiplier tubes. However, the box-and-grid type is not capable of resolving the position, while the MCP has disadvantages in dynamic range (linearity) and maximum count rate which are limited in comparison with other dynodes. Therefore development of new dynode structures that compensate for these disadvantages have been demanded so as to provide a wide dynamic range, high gain and excellent spatial resolution.

To meet this demand, Hamamatsu Photonics has continued research into dynode structures and has developed two innovative dynodes: a grid dynode¹⁾²⁾³⁾ and a fine-mesh dynode⁴⁾⁵⁾⁶⁾. These dynodes are well suited for use with position-sensitive photomultiplier tubes⁷⁾⁸⁾⁹⁾.

Common methods of reading out the output electron bunch from a position-sensitive photomultiplier tube are illustrated in Figure 6-1. With a multianode, the output signal is read out from independent multiple anodes. The resistive anode has a uniformly distributed resistive layer that reads out the signal by means of center-of-gravity detection. The cross-wire anode reads out the signal by means of current or charge-dividing center-of-gravity detection.



TPMHC0054EA

Figure 6-1: Anode-output readout methods for position-sensitive photomultiplier tube

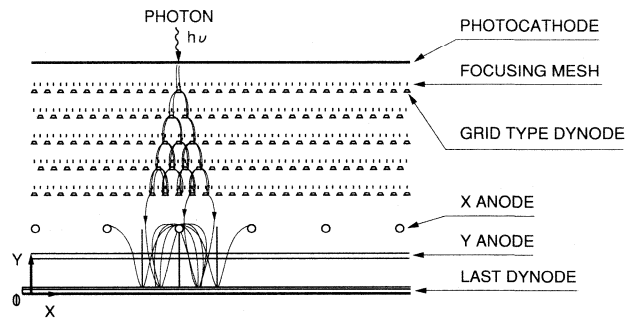
This section describes position-sensitive photomultiplier tubes using grid dynodes combined with a cross-wire anode and the fine-mesh dynodes combined with a multianode.

6.1 Position-Sensitive Photomultiplier Tubes Using Grid Dynodes

6.1.1 Construction

Figure 6-2 shows the electrode structure and electron trajectories in grid dynodes. A main difference between the grid dynode and normal dynodes is that the secondary emission between each grid dynode assures smaller spatial broadening due to the fine structure of each grid.

The photoelectrons released from the photocathode are multiplied between each dynode (by more than 10^5 in overall gain) and the reflected secondary electrons from the last dynode (reflective-type last dynode) are read out by the anode wires arranged in dual layers which intersect at right angles. (These are called cross-wire anodes). In this tube, the first dynode is positioned in close-proximity to the photocathode in order to minimize the broadening of photoelectrons.



TPMHC0055EA

Figure 6-2: Electrode structure and electron trajectories in a position-sensitive photomultiplier tube

6.1.2 Characteristics

Photomultiplier tubes using 12 stages of grid dynodes provide current amplification of 10^5 or more at a supply voltage of 1250 volts. This type of photomultiplier tube has been marketed with various configurations and diameters, for example 3-inch diameter cylindrical or square envelope types and 5-inch diameter cylindrical envelope types.

Table 6-1 shows typical position-sensitive photomultiplier tubes using grid dynodes and cross-wire anodes. The number of anodes listed here indicates the number of linear anodes in each of the X and Y directions. Figure 6-3 is a photograph showing actual photomultiplier tubes.

Configuration	Type No.	Photocathode	Number of Dynodes	Number of Anodes
3-inch Circular	R2486	Bialkali	12	16(X) + 16(Y)
3-inch Square	R2487	Bialkali	12	16(X) + 18(Y)
5-inch Circular	R3292	Bialkali	12	28(X) + 28(Y)

Table 6-1: Typical position-sensitive photomultiplier tubes and their specifications

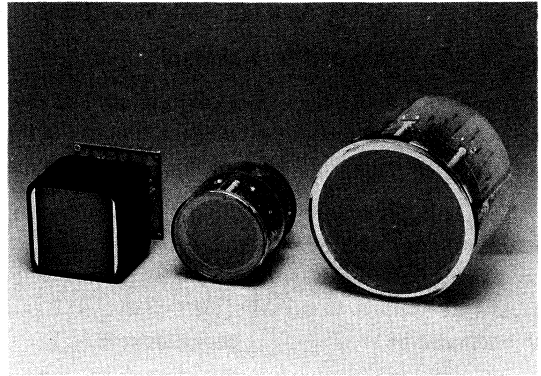


Figure 6-3: Photograph of typical position-sensitive photomultiplier tubes

Next, let us discuss the spatial resolution of a position-sensitive photomultiplier tube measured by center-of-gravity processing. As shown in Figure 6-2, the emitted electrons spatially broaden between the photocathode and the first dynode and also between successive grid dynodes. These are designed to minimize the broadening. Measurement of the spatial broadening of the emitted electrons with a focused light spot on a small area on the photocathode produces output profiles like those shown in Figures 6-4 and 6-5. Figure 6-4 indicates the broadening of photoelectrons between the photocathode and the first dynode at different photocathode-to-first dynode voltages giving a typical spatial resolution of approximately 1.5 millimeters (FWHM). Figure 6-5 shows the broadening of the electrons after multiplication through 12 dynode stages. The spatial resolution becomes approximately 4 millimeters (FWHM). From these results it is estimated that the emitted electrons spatially broaden to 5 to 6 millimeters through the multiplication process from the photocathode to the anode.

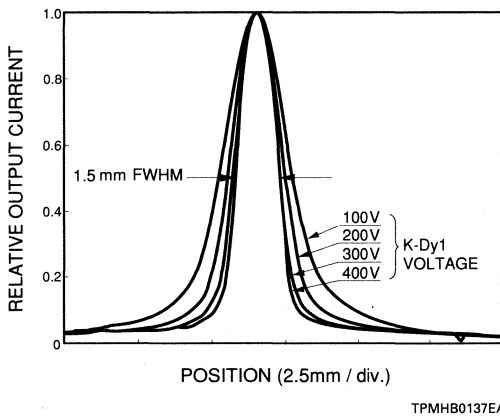


Figure 6-4: Spatial resolution between the photocathode and the anode at different photocathode-to-first dynode voltages

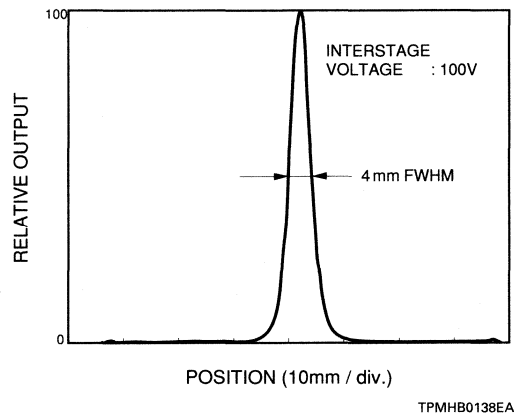


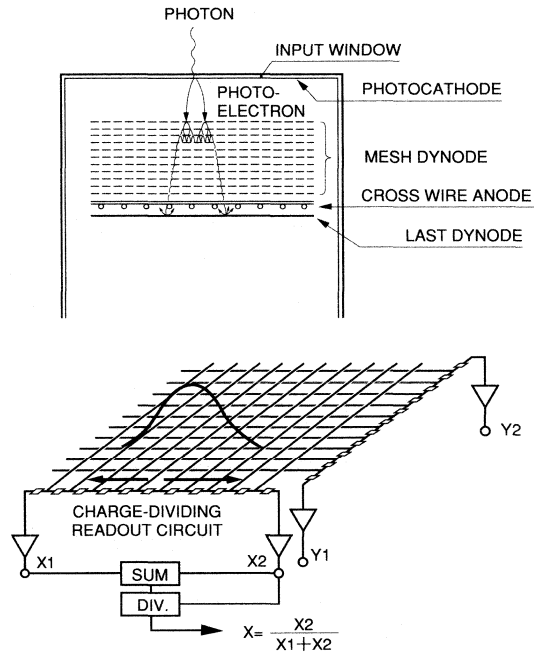
Figure 6-5: Spatial resolution between the first dynode through 12th dynode

As mentioned, a common method for reading out the output signal from a position-sensitive photomultiplier tube is center-of-gravity detection using cross-wire anodes. Figure 6-6 illustrates the principle of this detection method in which the electron bunch emitted from the last dynode is collected by the anode wires linearly arranged in the X and Y directions. Since each anode wire in the same direction is connected by a resistor chain, the collected electrons are divided into four signal components of X_1 , X_2 , Y_1 and Y_2 in accordance with the anode position at which the electron bunch arrive. By inputting these signals to a summing (SUM) and divider (DIV) circuits, the center of gravity in the X and Y direction can be obtained as follows:

$$X = X_2 / (X_1 + X_2)$$

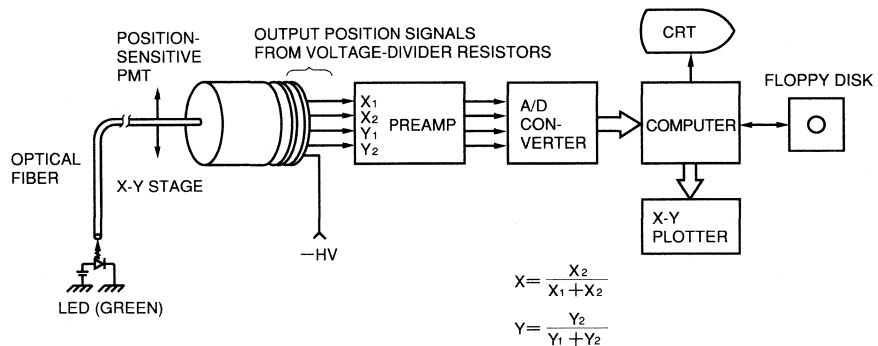
$$Y = Y_2 / (Y_1 + Y_2) \dots\dots\dots (\text{Eq. 6-1})$$

A schematic diagram for processing the output signals is shown in Figure 6-7. The output signals from the cross-wire anodes are amplified and undergo analog-to-digital (A/D) conversion. Then these signals are input to a computer for digital processing to locate the center of gravity.



TPMHC0056EA

Figure 6-6: Center-of-gravity detection method for position-sensitive photomultiplier tubes using cross-wire anodes



TPMHC0057EA

Figure 6-7: Schematic block diagram for position detection

Figure 6-8 shows the broadening of the center of gravity (spatial resolution) of a position-sensitive photomultiplier tube with respect to the number of incident photons per pulse from a pulse-driven LED. It can be seen that the broadening is inversely proportional to the square root of the incident light level, which agrees with the statistical theory. Figure 6-9 shows the profiles of center of gravity when a light spot travels over the photocathode at intervals of 1 millimeter. The spatial resolution in the center provides 0.3 millimeters (FWHM) at 4000 photons per pulse, but a slight distortion occurs in the peripheral area because of the limited number of cross-wire anodes. Figure 6-10 shows the spatial-resolution linearity, with the abscissa representing the position of light spot and the ordinate indicating the position of center of gravity obtained.

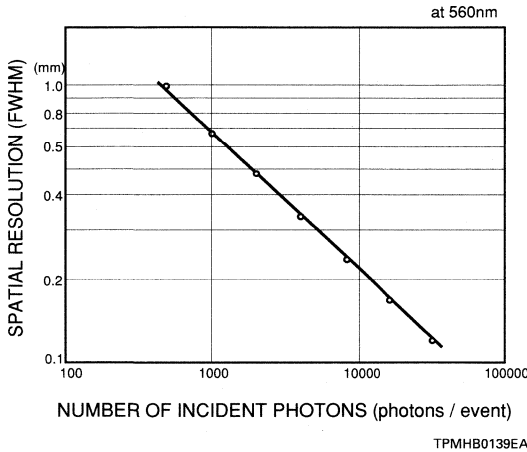


Figure 6-8: Spatial resolution vs. number of incident photons

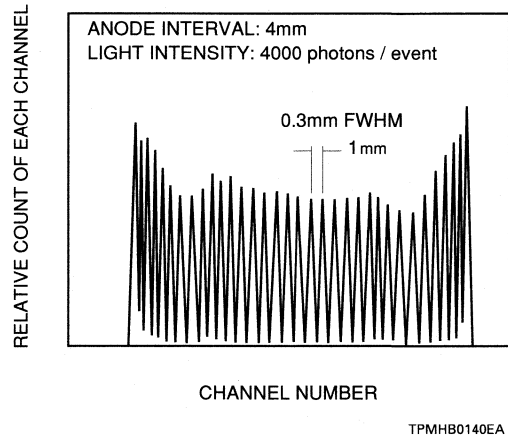


Figure 6-9: Profiles of center of gravity obtained with light spot traveling

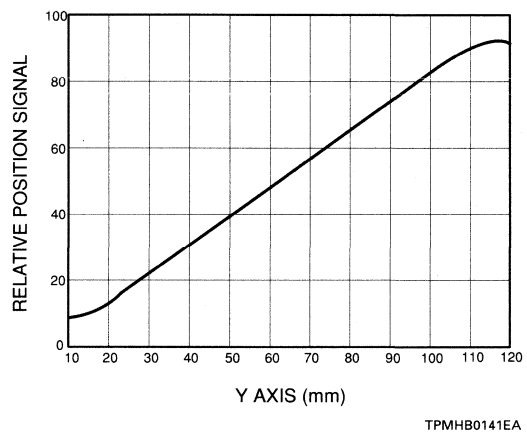
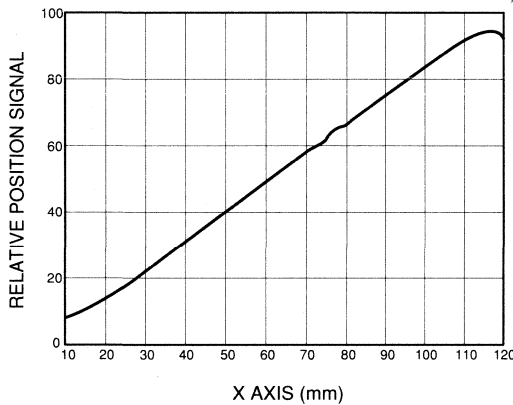


Figure 6-10: Spatial-resolution linearity of a position-sensitive photomultiplier tube

In the peripheral area of the photomultiplier tube, not all electrons are properly collected by the cross-wire anodes. This causes a distortion in the output such that the center of gravity is slightly shifted toward the center. However, this distortion is at levels that can be adequately compensated by use of a lookup table, etc.

This position-sensitive photomultiplier tube can be effectively used in scintillation imaging. We evaluated this photomultiplier tube using a system shown in Figure 6-11. A NaI(Tl) scintillator was coupled to the tube to detect gamma rays from a ⁵⁷Co radiation source. A lead block with 5 collimating apertures of 2 millimeter diameter was placed in front of the scintillator. Scintillation flashes produced in the NaI(Tl) scintillator by the gamma rays passing through the collimating apertures were detected by the photomultiplier tube and redisplayed with a computer. The result is shown in Figure 6-12. A scintillation image with a spatial resolution of 4 millimeters (FWHM) was reproduced under these conditions.

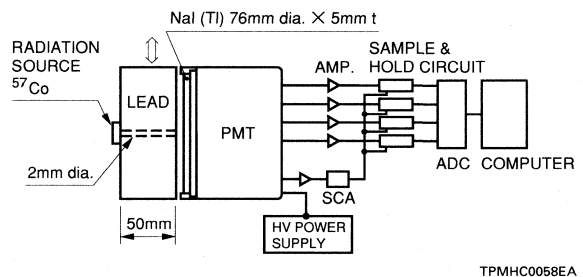


Figure 6-11: Block diagram for spatial resolution measurement using NaI(Tl) scintillator

This spatial resolution is affected by the diameter of the collimating apertures, light spread in the scintillator and electron spread in the photomultiplier tube.

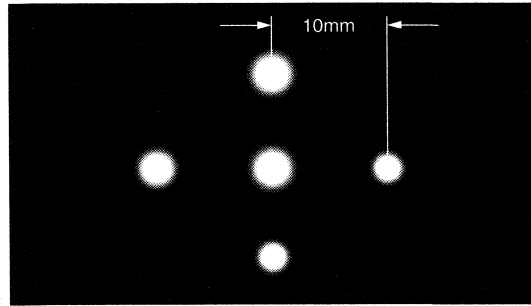


Figure 6-12: Example of scintillation imaging

6. 1. 3 Applications

This section describes the applications of position-sensitive photomultiplier tubes using grid dynodes developed by Hamamatsu. Because these photomultiplier tubes detect the position of incident light based on the center of gravity processing, a prime application would be scintillation imaging in combination with scintillators. Figure 6-14 shows an experimental result of scintillation imaging using mosaic-like scintillators⁽¹⁰⁾⁽¹¹⁾⁽¹²⁾. In this experiment, square-shaped BGO scintillators of $3 \times 3 \times 20$ millimeters were arranged in a 9×9 mosaic pattern on the faceplate of a photomultiplier tube. The scintillation image was taken and redisplayed when gamma rays of 511 keV uniformly irradiate the scintillators. This image proves that light flashes from individual scintillators are completely separated.

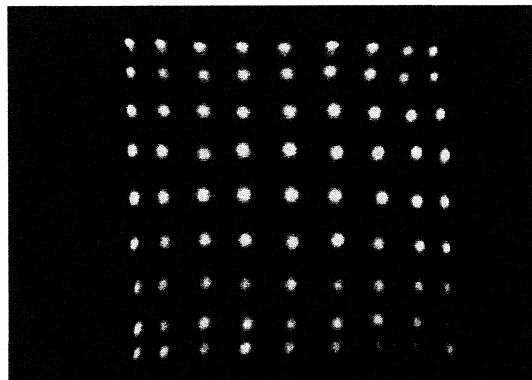
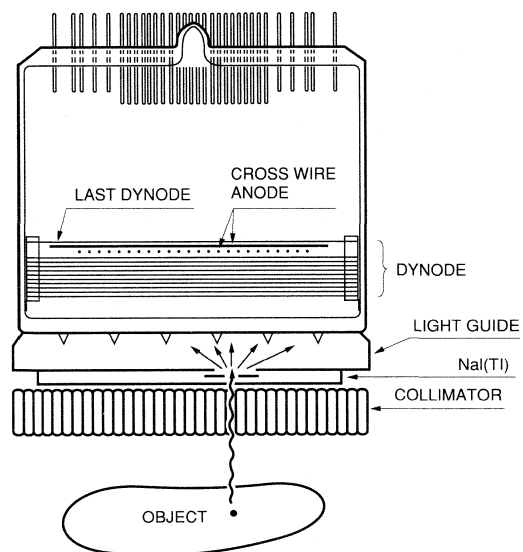


Figure 6-13: Scintillation imaging using mosaic-like scintillators (BGO), measured by irradiation of gamma rays

In nuclear medicine, gamma cameras and PET (positron emission tomography) cameras have been developed as promising diagnostic equipment and put into practical use⁽¹³⁾. In most of such equipment, a large number of conventional photomultiplier tubes are used in conjunction with large-size scintillators; however, equipment with even higher resolution and compactness has been demanded. Theoretically, a compact gamma camera can be constructed using a position-sensitive photomultiplier tube combined with a large scintillator as illustrated in Figure 6-14.

Experimental applications for position-sensitive photomultiplier tubes have also been attempted with the PET camera which has seen extensive technical development in recent years⁽¹⁴⁾. Figure 6-15 shows a detector module designed for high-resolution PET cameras. It is constructed with a two-dimensional array of scintillators and light-guides coupled to a position-sensitive photomultiplier tube⁽¹⁵⁾. A set of these detector modules is arranged as in an actual application as shown in Figure 6-16⁽¹⁶⁾. In combination



TPMHC0059EA

Figure 6-14: Schematic construction of a scintillation camera

with BGO scintillators measuring $3 \times 5 \times 50$ millimeters, this PET camera achieves a spatial resolution as high as 2.1 millimeters.

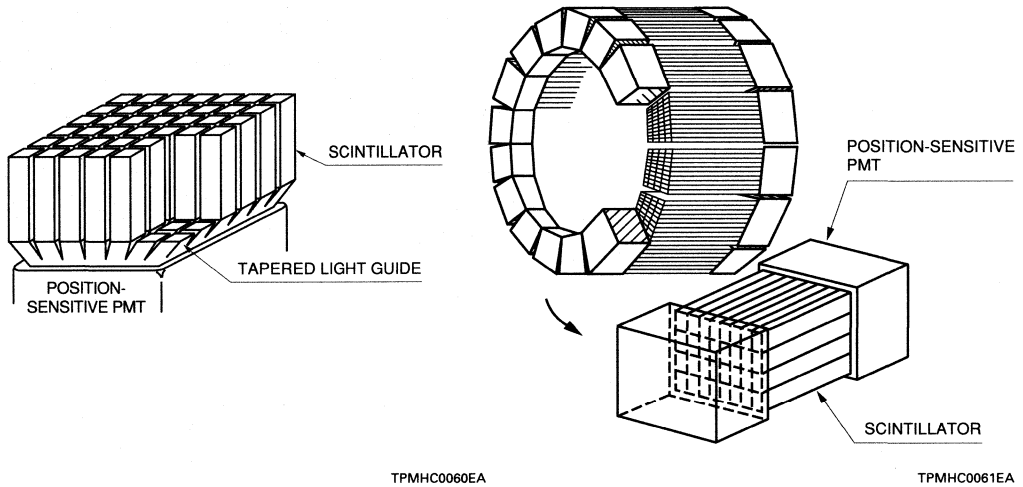


Figure 6-15: Detector module consisting of scintillators, light-guides and a position-sensitive photomultiplier tube, developed for PET cameras

Figure 6-16: Application of position-sensitive photomultiplier tubes to PET cameras

GSPCs (gas scintillation proportional counters) utilizing normal photomultiplier tubes have been used as conventional position detectors for solar radiation, cosmic rays and X rays emitted from a supernova¹⁷⁾¹⁸⁾. To reduce the weight of the conventional equipment and enhance the spatial resolution, a detector that combines a GSPC with a position-sensitive photomultiplier tube has been devised, as illustrated in Figure 6-17. This detector has actually been launched and used in a scientific satellite¹⁹⁾.

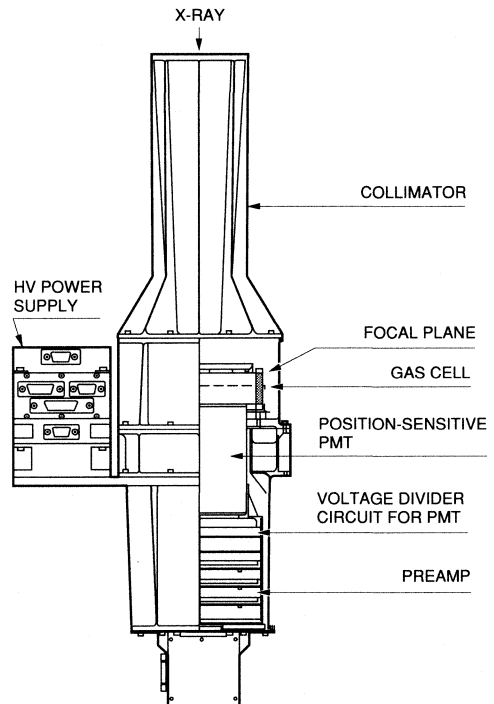


Figure 6-17: X-ray position detector consisting of a GSPC and position-sensitive photomultiplier tube

In physics experiments involving radiation detection, the combination of a scintillator and a position-sensitive photomultiplier tube is an effective detector. Figure 6-18 shows an example of this combination intended specifically for neutron imaging applications²⁰. It has been reported that a spatial resolution of 1 millimeter was achieved through two-dimensional detection of neutrons using a ${}^6\text{Li}$ glass plate (1 millimeter thick) coupled to a position-sensitive photomultiplier tube. Therefore, this type of detector is expected to prove a promising detector in neutron scattering experiments.

Recently, research into exploring the electron state in a substance is being performed using the positron annihilation method²¹⁾²²⁾²³⁾. When a positron, an antiparticle of an electron, is introduced into a substance, pair annihilation of a positron and an electron occurs, emitting two gamma rays (511keV each) in opposite directions to each other. Using the positron annihilation method enables measurement of a small deviation in emission angle of the gamma rays from the opposite direction. This provides microscopic information such as the bonded state of electrons and defective structures in the substance. The principle of this method is shown in Figure 6-19, in which P is the momentum of an electron-positron pair and mc is the momentum of each of the two gamma rays. As a result of a small deviation in emission angle from the X -axis direction, the two gamma rays emitted from a sample reach the point (Y_1, Z_1) on detector plane 1 and the point (Y_2, Z_2) on detector plane 2, respectively. In the positron annihilation method, the positions of these two points must be detected accurately. To carry out these kind of experiments, position-sensitive photomultiplier tubes are becoming widely used in some research facilities.

In addition to the above applications, position-sensitive photomultiplier tubes are seeing trial use in high energy physics experiments utilizing accelerators, such as in scintillation fiber tracking systems, calorimeters, hodoscopes, Cherenkov radiation detectors and beam monitors²⁴⁾.

6. 2 Position-Sensitive Photomultiplier Tubes Using Fine-Mesh Dynodes

Position-sensitive photomultiplier tubes using fine-mesh dynodes and a multianode have been developed and put onto the marketplace²⁵⁾²⁶⁾. These photomultiplier tubes can be operated in the presence of large magnetic field, making them well suited for use in particle track detectors and calorimeters that are used in high energy physics experiments.

6. 2. 1 Construction

Figure 6-20 shows the sectional view of a photomultiplier tube using fine-mesh dynodes. This tube is constructed with an input window, a photocathode, fine-mesh dynodes and an anode. The details of a fine-mesh dynode are illustrated in Figure 6-21. When an electron impinges on the upper part of the mesh,

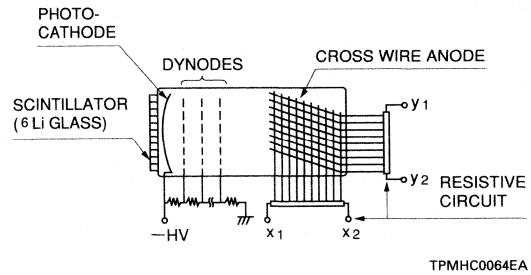


Figure 6-18: Application to scintillation imaging of neutrons

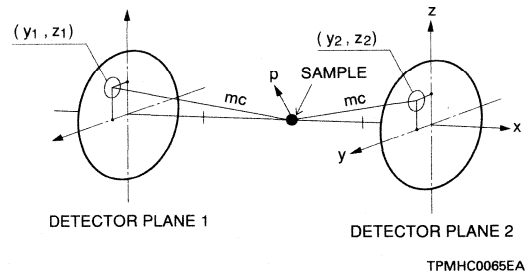


Figure 6-19: Principle of angular correlation method for gamma-ray emission accompanying positron annihilation²³⁾

multiple secondary electrons are emitted from the secondary emissive surface deposited on the mesh. This process is repeated through the last dynode stage and finally electrons are multiplied up to 10^6 .

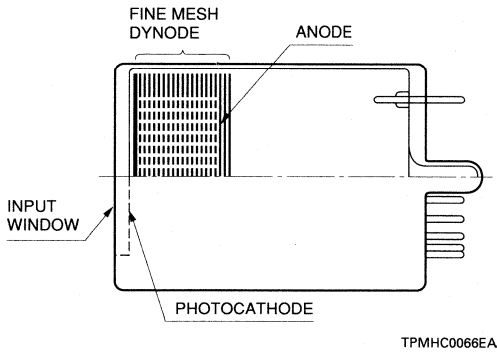


Figure 6-20: Construction of a photomultiplier tube using fine-mesh dynodes

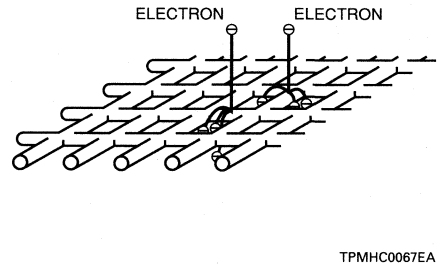


Figure 6-21: Details of a fine-mesh dynode

Figure 6-22 is a photograph of this type of photomultiplier tube (R2490-05). It provides a gain of 10^5 with 12 dynode stages and 2×10^6 with 16 dynode stages. Table 6-2 shows typical photomultiplier tubes using fine-mesh dynodes and their major characteristics. In addition to the listed types, a variety of tubes have been marketed, including 1-inch, 2-inch, 3-inch and 5-inch diameter tubes with 15 or 16 dynode stages.

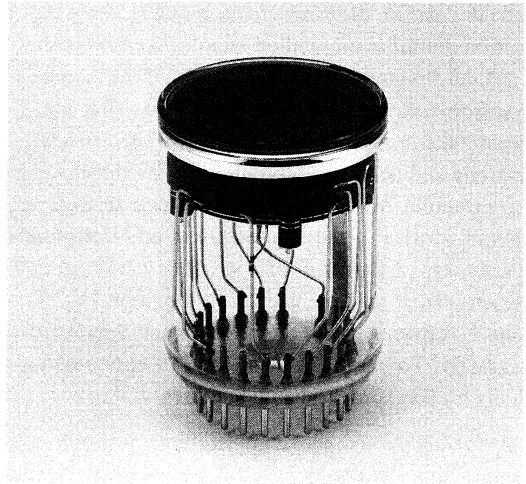


Figure 6-22: External view of R2490-05

Tube Diameter	Type No.	Effective Photocathode Diameter	Number of Electrodes	Rise Time	TTS	Pulse Linearity
1 Inch (25mm)	R3432-1 (R4722 with UV glass)	17.4mm	15	1.5ns (2000V)	350ps (2000V)	180mA
2 Inches (52mm)	R2490-05 (R3386 with quartz) (R4721 with UV glass)	36mm	16	2.1ns (2500V)	400ps (2500V)	500mA
3 Inches (78mm)	R5064 (R5065 with UV glass)	60mm	16	2.3ns (2500V)	480ps (2500V)	1000mA

Table 6-2: Photomultiplier tubes using fine-mesh dynodes

6. 2. 2 Characteristics

The greatest advantage offered by fine-mesh dynodes is that they can be operated in a magnetic field. Figure 6-23 shows the relative output of a photomultiplier tube using fine-mesh dynodes with respect to magnetic flux density. Although the output decreases with increasing magnetic flux density, this tube can be used up to near one Tesla. This performance is due to the fine-mesh structure with its very minute diameter and also to the close-proximity spacing between dynodes, so that the electron trajectories of the secondary electrons emitted from the fine-mesh dynodes are resistant to external magnetic fields.

Next, let us introduce a position-sensitive photomultiplier tube that combines fine-mesh dynodes with a multianode. The configurations of this tube are illustrated in Figure 6-24. The number of fine-mesh dynodes is 16 stages, and the multianode consists of 256 independent anodes arranged in a 16×16 matrix array. These elements are incorporated in a square glass envelope of 3×3 inches, achieving a current amplification of approximately 2×10^6 . Figure 6-25 shows the spatial resolution of this tube when a light spot of 0.2 millimeters in diameter is scanned over the input window along the direction of a row of the anodes. This data was measured with the photomultiplier tube operated in a non-magnetic field and indicates a spatial resolution of approximately 6 millimeters (FWHM).

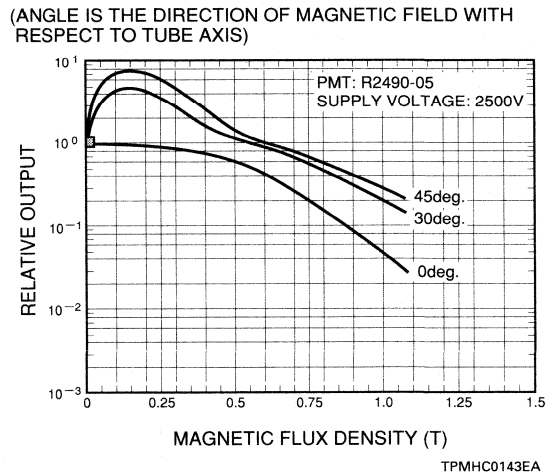


Figure 6-23: Relative output vs. magnetic flux density

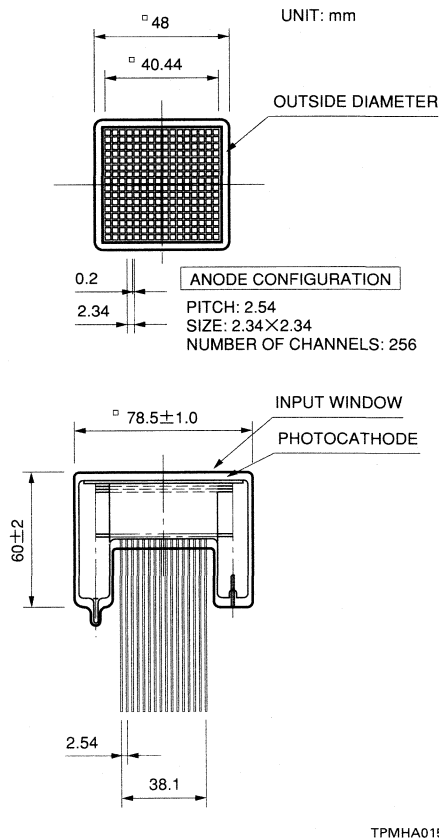
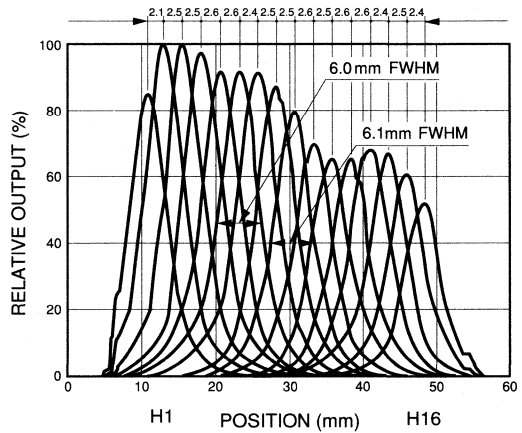


Figure 6-24: Configurations of a position-sensitive photomultiplier tube using fine-mesh dynodes and multianode

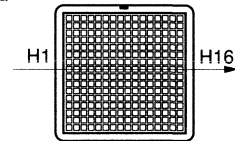
Owing to the structural characteristics of fine-mesh dynodes, when the direction of magnetic field is along tube axis, as the external magnetic field strength increases, the spatial broadening of the output decreases due to the Lorentz effect. Figure 6-26 dictates the spatial resolution (FWHM of the electron spread) and crosstalk between each anode as a function of magnetic flux density.

As can be seen from Figure 6-26, when a magnetic flux density of 0.2 to 0.3 Tesla is applied to the photomultiplier tube, the spatial resolution and crosstalk can be improved up to 1.8 millimeters and 5 percent, respectively. (These are 6 millimeters and 60 percent respectively in the absence of a magnetic field.) This is because the spatial broadening associated with the angular distributions of photoelectrons and secondary electrons is suppressed by the application of the magnetic field to the photomultiplier tube.

Figure 6-27 is a photograph showing position-sensitive photomultiplier tubes using fine-mesh dynodes and a multianode, discussed in this section. Figure 6-28 shows a photomultiplier tube assembly module using fine-mesh dynodes and a multianode.

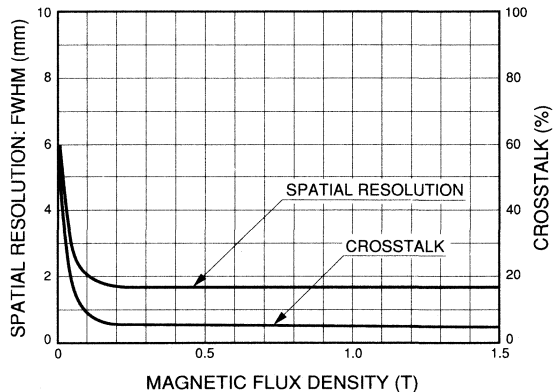


SUPPLY VOLTAGE: -2000V
 WAVELENGTH: 480nm
 LIGHT SPOT: 0.2mm dia.
 MAGNETIC FIELD: 0 tesla



TPMHB0146EA

Figure 6-25: Spatial resolution of a position-sensitive photomultiplier tube H4140-01 (R3384 ASSY) in non-magnetic field



TPMHB0148EA

Figure 6-26: Spatial resolution and crosstalk vs. magnetic flux density

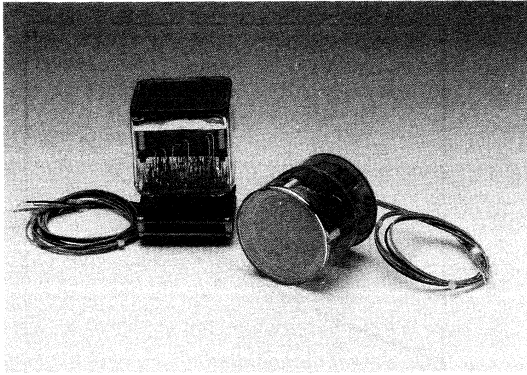


Figure 6-27: Position-sensitive photomultiplier tubes using fine-mesh dynodes and multianode

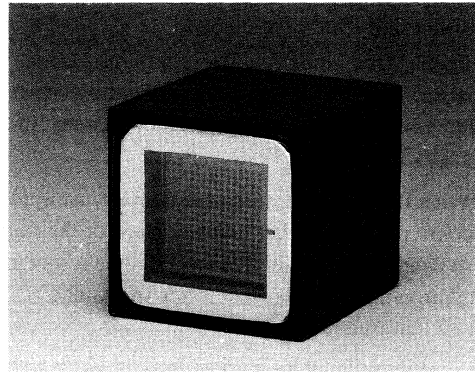


Figure 6-28: Photomultiplier tube assembly using fine-mesh dynodes and multianode

Listed in Table 6-3 are major assembly modules of position-sensitive photomultiplier tubes using fine-mesh dynodes and a multianode. In addition to incorporating a voltage-divider circuit, these tubes are equipped with a multiconnector that facilitates connection of the multianode output to an external circuit. The anode configuration of each tube is also listed in this table, 8×8 , 16×16 and 10×10 multianodes are available for tubes with a 3-inch square faceplate or 5-inch square faceplate.

Configuration	Type No.	Remarks
3-inch Square (75mm)	H4139	Number of anodes : 8×8 (64) Anode size : $4.88 \times 4.88 \text{mm}^2$ Anode pitch : 5.08mm
3-inch Square (75mm)	H4140-01	Number of anodes : 16×16 (256) Anode size : $2.34 \times 2.34 \text{mm}^2$ Anode pitch : 2.54mm
5-inch Square (125mm)	R4549-01 (Developmental type)	Number of anodes : 10×10 (100) Anode size : $9.5 \times 9.5 \text{mm}^2$ Anode pitch : 10mm

Table 6-3: Photomultiplier tube assemblies using fine-mesh dynodes and a multianode

6. 2. 3 Applications

Main applications of the fine-mesh dynode photomultiplier tubes include calorimeters and particle track detectors used in conjunction with scintillators in high energy physics experiments. Figure 6-29 shows a schematic drawing of time resolution measurement using π -mesons at 2GeV and the combination of a rectangular plastic scintillator (Pilot U of $2\text{cm} \times 1\text{cm} \times 1\text{cm}$) with a pair of fine-mesh dynode photomultiplier tubes²⁷⁾.

In this measurement, it is anticipated that several thousands of photoelectrons are produced at each photomultiplier tube. The output of each photomultiplier tube is fed into a CFD (constant fraction discriminator) circuit for measurement.

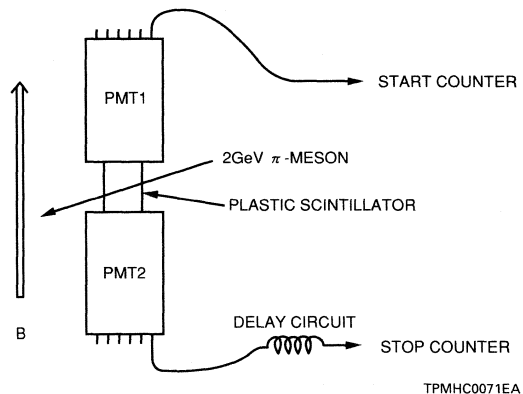


Figure 6-29: Schematic drawing for time resolution measurement using π -mesons

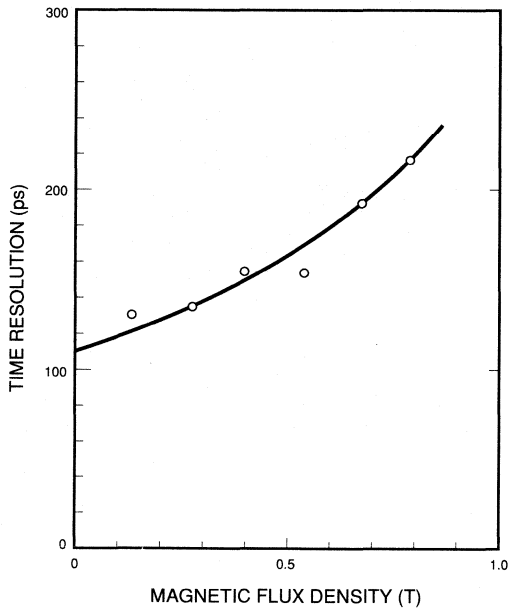
TPMHC0071EA

Figure 6-30 shows the time resolution plot obtained with this measurement as a function of magnetic flux density. The time resolution is approximately 100 picoseconds without a magnetic field, and approximately 200 picoseconds in a magnetic field at 0.78 Tesla.

When the same measurement is made using fast response photomultiplier tubes in place of the fine-mesh dynode photomultiplier tubes, a time resolution of approximately 100 picoseconds is attained. This proves that fine-mesh dynode photomultiplier tubes can be used either in non-magnetic fields or in highly magnetic fields. But it should be noted that as the magnetic field intensity increases, the current amplification of the photomultiplier tube decreases, resulting in deterioration of the time resolution.

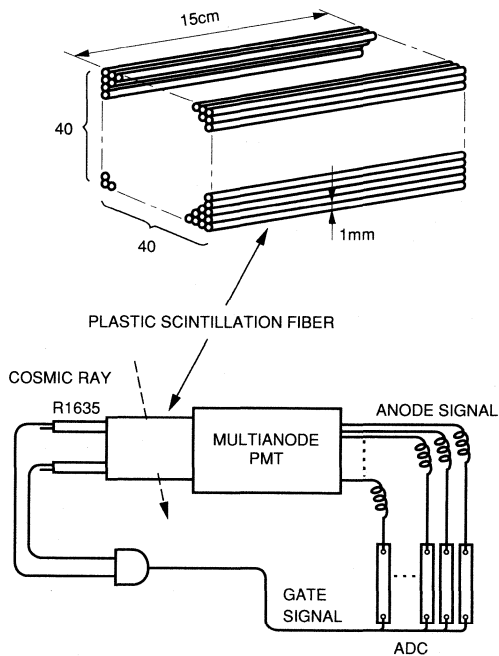
Because of their high immunity to magnetic fields and position-detection capability, these photomultiplier tubes find applications in particle track detectors and calorimeters. Figure 6-31 illustrates an example of a charged particle track detector consisting of a position-sensitive photomultiplier tube with a multi-anode in combination with a plastic scintillation fiber bundle²⁸⁾.

This detector uses a fiber bundle measuring 40mm(W)×40mm(H)×150mm(L) comprised of individual scintillation fibers (1 millimeter diameter). Figure 6-32 shows the results when the track of cosmic rays is measured with this detector. In the figure, a) are the anode outputs obtained when the photomultiplier tube is operated at 2200 volts, while b) are those at 0 volts. As shown in this figure, a multi-anode of an 88-matrix array is employed. Here, c) is the output profile of each row of the multi-anode, indicating the movement of the track. In this case, since no magnetic field is applied to the photomultiplier tube, the electrons broaden to an area equal to three anodes (approximately 8 millimeters). On the other hand, Figure 6-33 shows the results obtained when a magnetic field of 0.05 Tesla is applied to the photomultiplier tube in the direction of the tube axis. Due to the focusing effects of the magnetic field, the electron spread is suppressed to a small area equal to one anode channel (approximately 2.6 millimeters), thus assuring high resolution for the cosmic-ray track measurement²⁸⁾.



TPMHB0149EA

Figure 6-30: Time resolution vs. magnetic flux density



TPMHC0073EA

Figure 6-31: Schematic drawing for a particle track detector

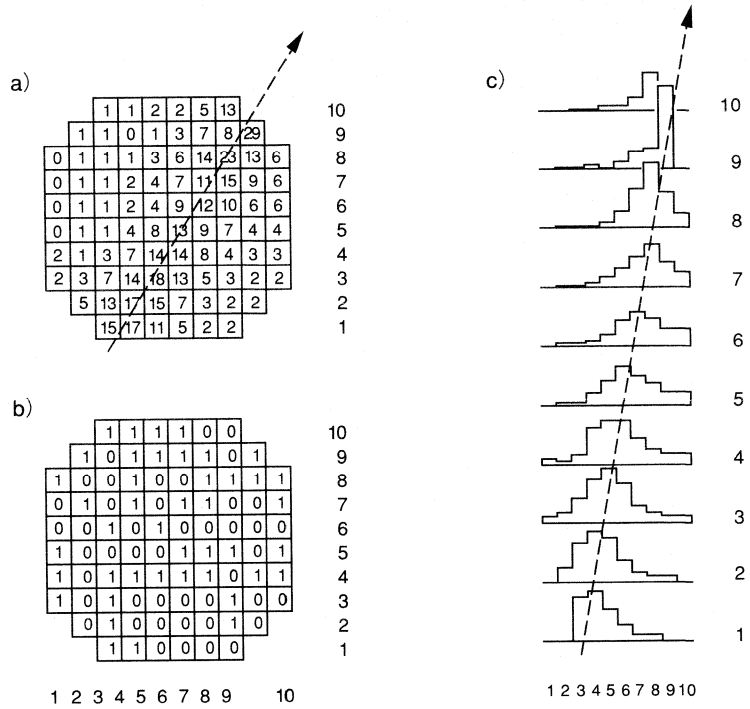


Figure 6-32: Example of cosmic-ray track measurements with a position-sensitive photomultiplier tube having fine-mesh dynodes and a multianode (in non-magnetic field)

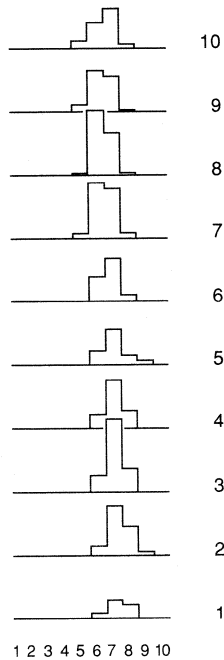


Figure 6-33: Example of cosmic-ray track measurements with a position-sensitive photomultiplier tube having fine-mesh dynodes and a multianode (in magnetic field of 0.05 Tesla)

References in Chapter 6

- 1) Hamamatsu Photonics Technical Data Sheet: R1840.
- 2) Hamamatsu Photonics Technical Data Sheet: R2238.
- 3) S. Orito, T. Kobayashi, K. Suzuki, M. Ito, A. Sawaki: Nucl. Instrum. & Methods 216, 439 (1983).
- 4) Hamamatsu Photonics Technical Data Sheet: NEW MESH PMTs FOR HIGH MAGNETIC ENVIRONMENTS.
- 5) A. Sawaki, S. Ohsuka, T. Hayashi: IEEE Trans. Nucl. Sci. NS-31, 1, 442 (1984).
- 6) S. Suzuki, T. Nakaya, A. Suzuki, H. Suzuki, K. Yoshioka, Y. Yoshizawa: Submitting to IEEE. Trans. Nucl. Sci. Vol. NS-40 (1993).
- 7) H. Kume, S. Suzuki, J. Takeuchi, K. Oba: IEEE Trans. Nucl. Sci. NS-32, 1, 448 (1985).
- 8) Hamamatsu Photonics Technical Data Sheet: R2486/R2487.
- 9) H. Kume, S. Muramatsu, M. Iida: IEEE Trans. Nucl. Sci. NS-33, 1, 359 (1986).
- 10) H. Uchida, M. Iida, T. Yamashita: MEDICAL IMAGING TECHNOLOGY 4, 314 (1986).
- 11) M. Salomon, V. Ii, G. Smith and Y.S. Wu: IEEE Trans. Nucl. Sci. 36, 1, 94 (1989).
- 12) H. Uchida, T. Yamashita, M. Iida, S. Muramatsu: IEEE Trans. Nucl. Sci. NS-33 1, 464 (1986).
- 13) T. Yamashita, M. Watanabe, K. Shimizu, H. Uchida: IEEE Trans. Nucl. Sci. 37, 589 (1990).
- 14) M. Watanabe, H. Uchida, H. Okada, K. Shimizu, N. Satoh, E. Yoshikawa, T. Ohmura, T. Yamashita, E. Tanaka: IEEE Trans. Nucl. Sci. 3, 1648 (1991).
- 15) H. Uchida, T. Yamashita, M. Iida, S. Muramatsu: IEEE Trans. Nucl. Sci. NS-33 No.1 464 (1986).
- 16) K. Shimizu, T. Ohmura, M. Watanabe, H. Uchida, T. Yamashita: IEEE Trans. Nucl. Sci. 35, 717 (1988).
- 17) T. Hayashi: Nucl. Instrum. & Methods, 225, 538 (1984).
- 18) G. Manzo, S. Re, G. Gerardi, M. Fici, S. Giarusso, O. Mistretta: IEEE Trans. Nucl. Sci. NS-32, No.1, 150 (1985).
- 19) T. Ohashi, K. Makishima, M. Ishida, T. Tsuru, M. Tashiro, T. Mihara, Y. Kohmura: SPIE, 1549EUV, X-ray and Gamma-ray Instrumentation for Astronomy II, 9 (1991).
- 20) R. Kurz, R. Reinartz, S. Widdau, J. Schelten and A. Scholz: Nucl. Instrum. & Methods, A273, 273 (1988).
- 21) T. Kubota, H. Kondo, K. Watanabe, V. Murakami, V. K. Cho, S. Tanigawa, T. Kawano, G. W. Bahn: "Study of momentum density of electrons and Fermi surface in niobium by positron annihilation" : J. Phys. Soc. Japan 59, 4494 (1990).
- 22) R. Suzuki, M. Osawa, S. Tanigawa, M. Matsumoto, and Shiotani: "Positron study of momentum density and Fermi surface in Ti and Zr" : J. Phys. Soc. Japan 58, 3251 (1989).
- 23) M. Saito, A. Oshiyama and S. Tanigawa: "Anisotropic momentum distribution of positron annihilation radiations in semiconductors" : Phys. Rev. B44, 10601 (1991).
- 24) F. Takasaki, H. Saito, T. Fukui, T. Matsushita and T. Suzuki: Nucl. Instrum. & Methods, A260, 447 (1987).
- 25) Hamamatsu Photonics Technical Data Sheet: H4139/H4140/R4549-01/R2490-05.
- 26) Hamamatsu Photonics Technical Data Sheet: R3384.
- 27) F. Takasaki, K. Ogawa and K. Tobimatsu: Nucl. Instrum. & Methods, A228, 369 (1985).
- 28) F. Takasaki, H. Saito, T. Fukui, T. Matsushita and T. Suzuki: Nucl. Instrum. Methods. A260, 447 (1987).

CHAPTER 7

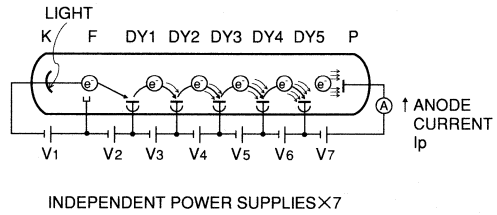
HOW TO USE PHOTOMULTIPLIER TUBES AND ASSOCIATED CIRCUITS

This chapter explains how to use basic circuits and accessories necessary to operate a photomultiplier tube properly¹⁾.

7. 1 Voltage Divider (Bleeder) Circuits

7. 1. 1 Basic operation of bleeder circuits

For photomultiplier tube operation, a high voltage from 500 to 3000 volts is usually applied across the cathode (K) and anode (P), with a proper voltage gradient set up between the photoelectron focusing electrode (F), dynodes and, depending on tube type, an accelerating electrode (accelerator). This voltage gradient can be set up using independent multiple power supplies as shown in Figure 7-1, but this is usually not practical.

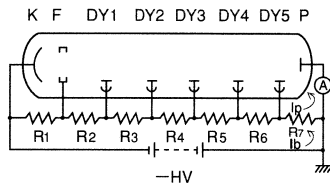


TPMOC0005EA

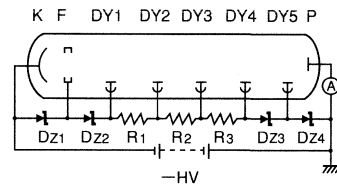
Figure 7-1: Schematic representation of photomultiplier tube operation

In practice, as shown in Figure 7-2, the interstage voltage for each electrode is supplied by using voltage-dividing resistors (sometimes along with Zener diodes) connected between the anode and cathode. This circuit is known as a voltage divider circuit or bleeder circuit.

(1) Circuit using resistors only



(2) Circuit using resistors and Zener diodes



TACCC0005EA

Figure 7-2: Bleeder circuits

The current \$I_b\$ flowing through the bleeder circuits shown in Figures 7-2 (1) and (2) is called bleeder current, and closely related to the output linearity described later. The bleeder current \$I_b\$ is approximately the applied voltage \$V\$ divided by the sum of resistor values as follows:

$$I_b = \frac{V}{(R_1 + R_2 + \dots + R_6 + R_7)} \dots\dots\dots \text{(Eq. 7-1)}$$

The Zener diodes (Dz) shown in (2) are used to maintain the interstage voltages at constant values for stabilizing the photomultiplier tube operation regardless of the magnitude of the cathode-to-anode supply voltage. The capacitors \$C_1\$, \$C_2\$, \$C_3\$ and \$C_4\$ connected in parallel with the Zener diodes serve to minimize noise generated by the Zener diodes. This noise becomes significant when the current flowing through the Zener diodes is insufficient. Thus care is required at this point, as this noise can affect the signal-to-noise ratio of the photomultiplier tube output.

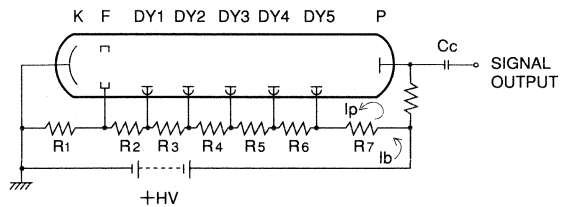
7. 1. 2 Anode grounding and cathode grounding

As shown in Figure 7-2, the general technique used for bleeder circuits is to ground the anode and apply a large negative voltage to the cathode. This scheme eliminates the potential voltage difference between the external circuit and the anode, facilitating the connection of circuits such as ammeters and current-to-voltage conversion operational amplifiers to the photomultiplier tube. In this anode grounding scheme, however, bringing a grounded metal holder, housing or magnetic shield case near the bulb of the photomultiplier tube, or allowing it to make contact with the bulb can cause electrons in the photomultiplier tube to strike the inner bulb wall. This may possibly produce glass scintillation, resulting in a significant increase in noise.

Also, for head-on photomultiplier tubes, if the faceplate or bulb near the photocathode is grounded, the slight conductivity of the glass material causes a small current to flow between the photocathode and ground. This may cause electric damage to the cathode, possibly leading to considerable deterioration. For this reason, extreme care must be taken when designing the housing for a photomultiplier tube and when using an electromagnetic shield case. In addition, when wrapping the bulb of a photomultiplier tube with foam rubber or similar shock-absorbing materials before mounting the tube within its electromagnetic shield case at ground potential, it is very important to ensure that the materials have sufficiently good insulation properties.

The above problems concerning the anode grounding scheme can be solved by coating the bulb surface with black conductive paint and connecting it to the cathode potential. This technique is called "HA coating", and the conductive bulb surface is protected by an insulating cover for safety. In scintillation counting, however, because the grounded scintillator is usually coupled directly to the faceplate of a photomultiplier tube, the cathode is grounded with a high positive voltage applied to the anode, as shown in Figure 7-3. With this grounded cathode scheme, a coupling capacitor (C_c)

must be used to separate the positive high voltage (+HV) applied to the anode from the signal, making it impossible to extract a DC signal. In actual scintillation counting using this bleeder circuit, a problem concerning base-line shift may occur if the counting efficiency increases too much, or noise may be generated if a leakage current is present in the coupling capacitor. Thus care should be taken regarding these points.

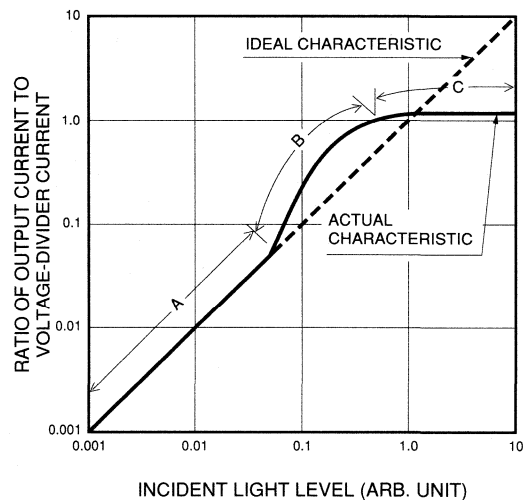


TACCC006EA

Figure 7-3: Grounded-cathode bleeder circuit

7. 1. 3 Bleeder current and output linearity

In either the anode grounding or cathode grounding scheme or either DC or pulse operation, when the light level incident on the photocathode is increased to raise the output current as shown in Figure 7-4, the relationship between the incident light level and the anode current begins to deviate from the ideal linearity at a certain current level (region B) and eventually, the photomultiplier tube output goes into saturation (region C).



TPMOB0002EA

Figure 7-4: Output linearity of a photomultiplier tube

(1) DC-operation output linearity and its countermeasures

In deriving a DC output from a photomultiplier tube using the basic operating circuit shown in Figure 7-5, the current which actually flows through a bleeder resistor, for example the current flowing across resistor R_7 , equals the difference between the bleeder current I_b and the anode current I_p which flows in the opposite direction through the circuit loop of P-Dy₅-R₇-P. Likewise, for other bleeder resistors, the actual current is the difference between the bleeder current I_b and the dynode current I_{Dy} flowing in the opposite direction through the bleeder resistor. The anode current and dynode current flow act to reduce the bleeder current and the accompanying loss of the interstage voltage becomes more significant in the latter dynode stages which handle larger dynode currents. Although the dynode current includes current components flowing in the same direction as the bleeder current I_b , they are of very small amounts and therefore not discussed here.

The reduction of the bleeder current can be ignored if the anode output current is small. However, when the incident light level is increased and the resultant anode and dynode currents are increased, the voltage distribution for each dynode varies considerably as shown in Figure 7-6. Because the overall cathode-to-anode voltage is kept constant by the high-voltage power supply, the loss of the interstage voltage at the latter stages is redistributed to the previous stages so that there will be an increase in the interstage voltage.

The loss of the interstage voltage by the multiplied electron current appears most significantly between the last dynode (Dy₅ in Figure 7-5) and the anode, but the voltage applied to this area does not contribute to the secondary emission ratio of the last dynode. Therefore, the shift in the voltage distribution to the earlier stages results in a collective increase in current amplification, as shown at region B in Figure 7-4. If the incident light level is increased further so that the anode current becomes quite large, the secondary-electron collection efficiency of the anode degrades as the voltage between the last dynode and the anode decreases. This leads to the saturation phenomenon like that shown at region C in Figure 7-4.

While there are differences depending on the type of photomultiplier tube and bleeder circuit being used, the maximum practical anode current in a DC output is usually 1/20th to 1/50th of the bleeder current. If linearity better than ± 1 percent is required, the maximum

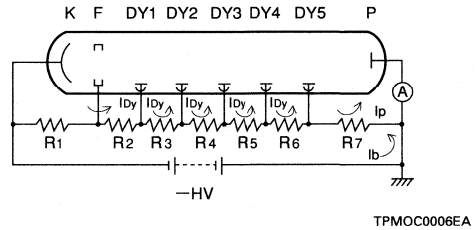


Figure 7-5: Basic operating circuit for a photomultiplier tube

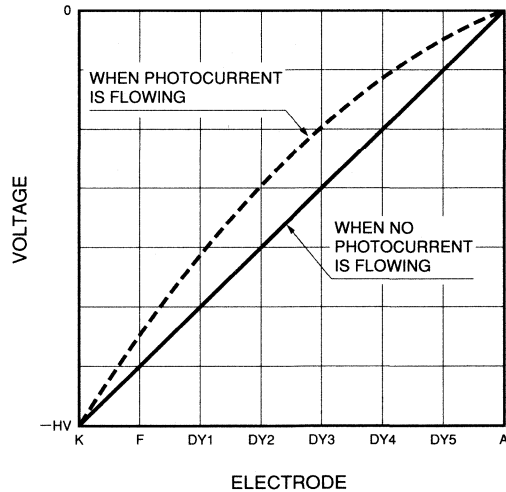


Figure 7-6: Influence of photocurrent on voltage applied to each electrode

The loss of the interstage voltage by the multiplied electron current appears most significantly between the last dynode (Dy₅ in Figure 7-5) and the anode, but the voltage applied to this area does not contribute to the secondary emission ratio of the last dynode. Therefore, the shift in the voltage distribution to the earlier stages results in a collective increase in current amplification, as shown at region B in Figure 7-4. If the incident light level is increased further so that the anode current becomes quite large, the secondary-electron collection efficiency of the anode degrades as the voltage between the last dynode and the anode decreases. This leads to the saturation phenomenon like that shown at region C in Figure 7-4.

While there are differences depending on the type of photomultiplier tube and bleeder circuit being used, the maximum practical anode current in a DC output is usually 1/20th to 1/50th of the bleeder current. If linearity better than ± 1 percent is required, the maximum

output must be held to less than 1/100th of the bleeder current.

To increase the maximum linear output, there are two techniques: one is to lower the bleeder resistor values to increase the bleeder current and the other is to use a Zener diode between the last dynode and the anode as shown in Figure 7-2 (2) and, if necessary, between the next to last or second to last stage as well. However, with the former technique, if the bleeder resistors are located very close to the photomultiplier tube, the heat emanating from their resistance may raise the photomultiplier tube temperature, leading to an increase in the dark current and possible fluctuation in the output. Furthermore, since this technique requires a high-voltage power supply with a large capacity, it is inadvisable to increase the bleeder current more than necessary. To solve the above problems in applications where a high linear output is required, individual power supplies may be used in place of the bleeder resistors at the last few stages. With the zener diode technique, if the bleeder current is insufficient, noise will be generated from the Zener diode, possibly causing detrimental effects on the output. Because of this, it is essential to increase the bleeder current to an adequate level and connect a ceramic capacitor having good frequency response in parallel with the Zener diode for absorbing the possible noise. It is also necessary to narrow the subsequent circuit bandwidth as much as possible, insofar as the response speed will permit¹⁾.

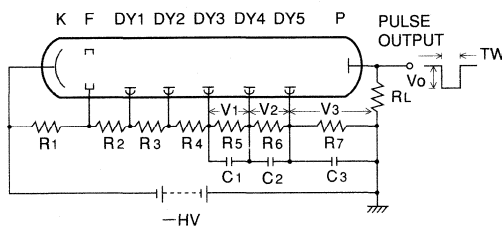
(2) Pulse-operation output linearity and its countermeasures

When a photomultiplier tube is pulse-operated using the bleeder circuit shown in Figure 7-2 (1) or Figure 7-3, the maximum linear output is limited to a fraction of the bleeder current just as in the case of DC operation. To prevent this problem, decoupling capacitors can be connected to the last few stages, as shown in Figures 7-7 (1) and (2). These capacitors supply the photomultiplier tube with an electric charge during the pulse duration and restrain the voltage drop between the last dynode and the anode, thus resulting in a significant improvement in pulse linearity. If the pulse width is sufficiently short so that the duty cycle is small, this method makes it possible to derive an output current up to the saturation level which is caused by the space charge effects in the photomultiplier tube dynodes discussed in Section 3.2, (2) of Chapter 3. Consequently, a high peak output current, more than several thousand times as large as the bleeder current can be attained.

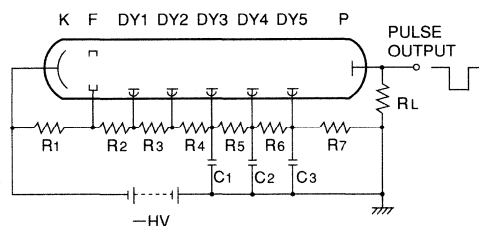
There are two methods of using the decoupling capacitors: a serial connection method and a parallel connection method as illustrated in Figure 7-7 below. The serial connection is more commonly used because the parallel connection requires capacitors which can withstand a high voltage.

The following explains the procedure for calculating the capacitor values, using the circuit shown in Figure (1) as an example.

(1) Serial-connected decoupling capacitors



(2) Parallel-connected decoupling capacitors



TACCC0007EA

Figure 7-7: Bleeder circuits with decoupling capacitors added

First of all, if we let the output-pulse peak voltage be V_0 , and the pulse width be T_w and the load resistance be R_L , the output pulse charge Q_0 per pulse is expressed by Eq. 7-2²⁾, as follows:

$$Q_0 = T_w \frac{V_0}{R_L} \dots\dots\dots(\text{Eq. 7-2})$$

Next, let us find the capacitance values of the decoupling capacitors C_1 to C_3 , using Q_0 .

If we let the charge stored in capacitor C_3 be Q_3 , then to achieve good output linearity of better than ± 3 percent, the following relation should generally be established:

$$Q_3 \geq 100 Q_0 \dots\dots\dots(\text{Eq. 7-3})$$

From the common relation of $Q=CV$, C_3 is given by Eqs. 7-4 and 7-5.

$$C_3 \geq 100 \frac{Q_3}{V_3} \dots\dots\dots(\text{Eq. 7-4})$$

then

$$C_3 \geq 100 \frac{Q_3}{I_b \cdot R_7} \dots\dots\dots(\text{Eq. 7-5})$$

Normally, the secondary emission ratio δ per stage of a photomultiplier tube is 3 to 5 at the interstage voltage of 100 volts. However, considering occasions in which the interstage voltage drops to about 70 or 80 volts, the charges Q_2 and Q_1 stored in C_2 and C_1 respectively are calculated by assuming that δ between each dynode is 2, as follows:

$$Q_2 = \frac{Q_3}{2} \quad Q_1 = \frac{Q_2}{2} = \frac{Q_3}{4}$$

Then, the capacitance values of C_2 and C_1 can be obtained in the same way as in C_3 .

$$C_2 \geq 50 \frac{Q_2}{V_2} = 50 \frac{Q_0}{I_b \cdot R_6}$$

$$C_1 \geq 25 \frac{Q_1}{V_1} = 25 \frac{Q_0}{I_b \cdot R_5}$$

In cases where decoupling capacitors need to be placed in the dynode stages earlier than Dy_3 in order to derive an even larger current output, the same calculation can also be used.

Here, as an example, with the output pulse peak voltage $V_0=50\text{mV}$, pulse width $T_w=1 \mu\text{s}$, load resistance $R_L=50\Omega$, interstage resistor values $R_5=R_6=R_7=100\text{k}\Omega$ and bleeder current $I_b=1\text{mA}$, each capacitor value can be calculated in the following steps: First, the amount of charge per output pulse is obtained as follows:

$$Q_0 = \frac{50\text{mV}}{50\Omega} \times 1 \mu\text{s} = 1\text{nC}$$

The capacitance values required of the decoupling capacitors C_3 , C_2 and C_1 are calculated respectively as follows:

$$C_3 \geq 100 \frac{1\text{nC}}{100\text{k}\Omega \times 1\text{mA}} = 1\text{nF}$$

$$C_2 \geq 50 \frac{1\text{nC}}{100\text{k}\Omega \times 1\text{mA}} = 0.5\text{nF}$$

$$C_1 \geq 25 \frac{1\text{nC}}{100\text{k}\Omega \times 1\text{mA}} = 0.25\text{nF}$$

The above capacitance values are minimum values required for proper operation. Therefore it is usually suggested that the bleeder circuit be designed with a safety margin in the capacitance value, of about 10 times larger than the calculated values. If the output

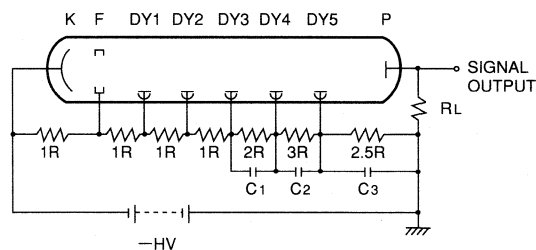
current increases further, additional decoupling capacitors should be connected as necessary to the earlier stages, as well as increasing the capacitance values of C_1 to C_3 . As with the DC operation, it should be noted that in pulse operation, even with the above countermeasures provided, the output deviates from the linearity range when the average output current exceeds 1/20th to 1/50th of the bleeder current. In particular, care is required at high counting rates even if the output peak current is low.

7. 1. 4 Voltage distribution in bleeder circuits

(1) Voltage distribution in the anode and latter stages

Even under conditions where adequate countermeasures for pulse output linearity have been taken by use of decoupling capacitors, output saturation will occur at a certain level as the incident light is increased while the interstage voltage is kept fixed. This is caused by an increase in the electron density between the electrodes, causing space charge effects which disturb the electron current. This saturated current level varies, depending on the electrode structures of the anode and last few stages of the photomultiplier tube and also on the voltage applied between each electrode. As a corrective action to overcome space charge effects, the voltage applied to the last few stages, where the electron density becomes high, should be set at a higher value than the standard voltage distribution so that the voltage gradient between those electrodes is enhanced. For this purpose, a so-called tapered bleeder circuit is often employed, in which the interstage voltage is increased in the latter stages. But, sufficient care must be taken with regard to the interelectrode voltage tolerance capacity.

As an example, Figure 7-8 shows a tapered bleeder circuit used for a 5-stage photomultiplier tube. In this bleeder circuit, the Dy_5 -to-anode voltage is set at a value lower than the Dy_4 -to- Dy_5 voltage. This is because the electrode distance between the last dynode and the anode is usually short so that an adequate voltage gradient can be obtained with a relatively low voltage.



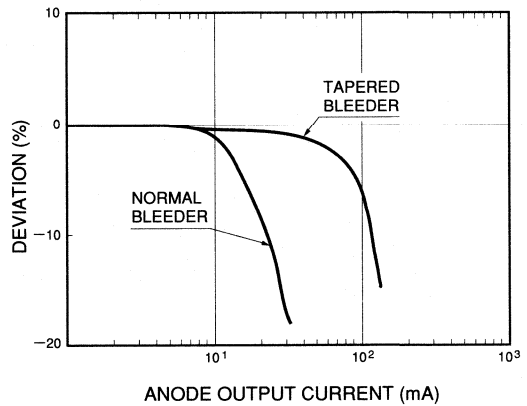
TACCC0008EA

Figure 7-8: Pulse output linearity countermeasures using decoupling capacitors and tapered bleeder circuit

The voltage distribution ratio for a bleeder circuit that provides optimum pulse linearity depends on the type of photomultiplier tube. In high energy physics applications, a higher pulse output is usually required. Our catalog "Photomultiplier Tubes and Assemblies for Scintillation Counting and High Energy Physics" lists the recommended voltage distribution ratios of individual bleeder circuits intended for high pulse linearity (tapered bleeders) and their maximum output current values. Use of these recommended bleeder circuits improves pulse linearity 5 to 10 times than that obtained with normal bleeder circuits (equally divided circuits). Figure 7-9 shows a comparison of pulse linearity characteristics measured with a tapered bleeder circuit and with a normal bleeder circuit. It is obvious that pulse linearity is improved about 10 times by using the tapered bleeder circuit. Note that when this type of tapered bleeder circuit is used, the anode output lowers to about 1/5th in comparison with the normal bleeder anode output. Therefore, adjustment is required to increase the supply voltage for the photomultiplier tube.

The above methods for improving pulse output linearity by use of decoupling capacitors and tapered bleeder circuits are also applicable for the bleeder circuits with the cathode at ground potential and the anode at a high positive voltage.

The tapered bleeder circuit will also prove effective in special applications where a high output voltage is required. For instance, with an anode output current of $I_p = 100 \mu\text{A}$ and $R_L = 1\text{M}\Omega$, the output voltage will be 10 volts and the anode potential will drop 10 volts accordingly. This means that the anode-to-last-dynode voltage must be sufficiently greater than 10 volts in order to prevent the output linearity from deviating. Use of a tapered bleeder circuit can maintain the anode-to-last-dynode voltage at an adequate level and thus provides a higher output voltage compared to normal bleeder circuits.



PULSE WIDTH: 50 (ns)
 REPETITION RATE: 1 [kHz]
 SUPPLY VOLTAGE: 1500 [V]

TPMOB0003EA

Figure 7-9: Linearity characteristic using a tapered bleeder circuit and a normal bleeder circuit

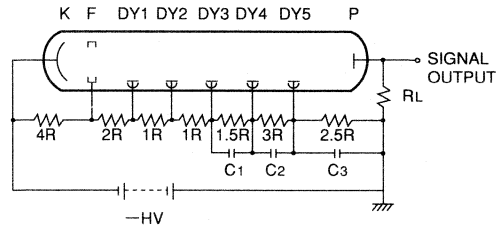
(2) Voltage distribution for the cathode and earlier stages

As mentioned above, the voltage distribution ratio for the latter stages near the anode is an important factor that determines the output linearity of a photomultiplier tube. In contrast, the voltage distribution between the cathode, focusing electrode and first dynode has an influence on the photoelectron collection efficiency and the secondary emission ratio of the first dynode. These parameters are major factors in determining the output signal-to-noise ratio, pulse height dispersion in the single and multiple photon regions, and also electron transit time spread (TTS).

Furthermore, the voltage distribution at the earlier stages affects the cathode linearity, energy resolution in scintillation counting and magnetic characteristics of a photomultiplier tube, and therefore its setting requires care just as in the case of the latter stages. In general, the voltage distribution ratios for the earlier stages listed in our catalog are determined in consideration of the electron collection efficiency, time properties and signal-to-noise ratio. Note that since they are selected based on the recommended supply voltage, proper corrective actions may be required in cases in which the supply voltage becomes less than one-half that of the recommended voltage. For example, increasing the voltage distribution ratio at the earlier stages or using Zener diodes to hold the dynode voltage constant are necessary. For more information on the photoelectron collection efficiency, output signal-to-noise ratio and other characteristics, refer to Chapter 3.

Figure 7-10 shows a variant of the bleeder circuit shown in Figure 7-10, which provides the above measures for the cathode to the first dynode.

It is quite essential to apply the correct voltage to the cathode, focusing electrode and the first dynode or earlier dynode stages with precision resistors. In applications such as in a magnetic field, or in very low-light-level measurement where shot noise may create a problem, or in single photon counting and in TOF (time-of-flight) trigger counters or hodoscopes requiring good time properties.



TACCC0009EA

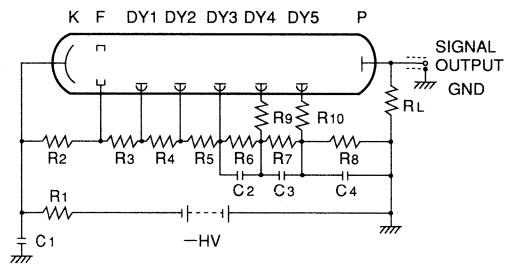
Figure 7-10: Bleeder circuit with tapered configurations at both the earlier and latter stages

The recommended voltage distribution ratios listed in our catalog are selected for general-purpose applications, with consideration primarily given to the gain. Accordingly, when the photomultiplier tube must be operated at a lower supply voltage or must provide a higher output current, selecting a proper voltage distribution ratio that matches the application is necessary. As to the resistance values actually used for the bleeder circuit, they should basically be selected in view of the photomultiplier tube supply voltage, output current level and required linearity. It should be noted that if the resistance values are unnecessarily small, the resulting heat generation may cause various problems, such as an increase in the dark current, temperature drift in the output and lack of capacity in the power supply. Therefore, avoid allowing excessive bleeder current to flow.

7.1.5 Countermeasures for fast response circuits

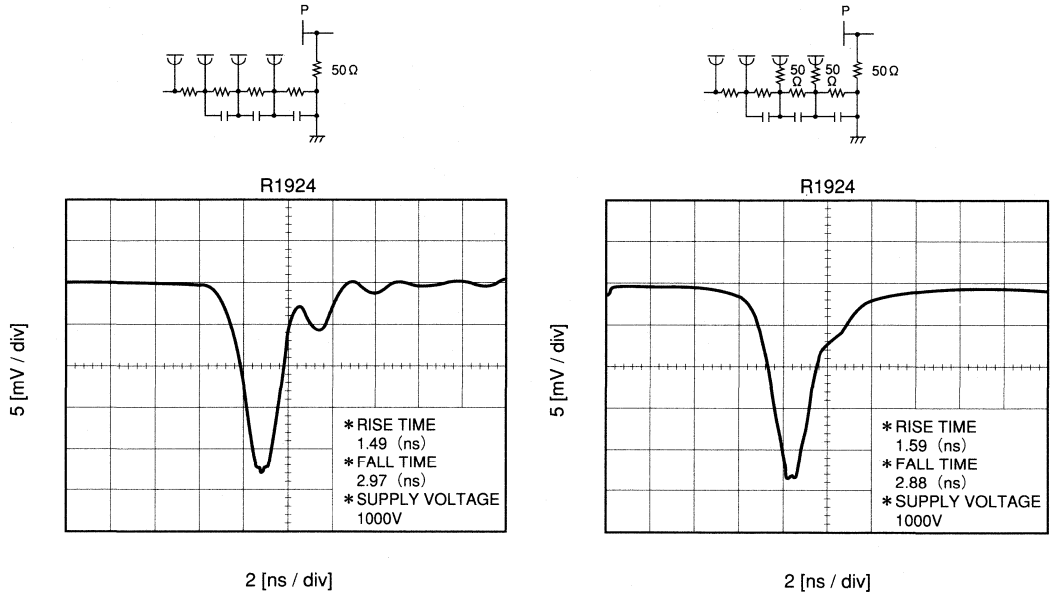
As shown in Figure 7-11, inserting a lowpass filter comprised of R_1 and C_1 into the high-voltage supply line is also effective in reducing noise pickup from the high-voltage line. The transistor R_1 is usually several tens of kilohms, and a ceramic capacitor of 0.005 to 0.05 microfarads which withstands high voltage is frequently used as C_1 .

In applications handling a fast pulsed output with a rise time of less than 10 nanoseconds, inserting damping resistors R_{10} into the last dynode as shown in Figure 7-11 and if necessary, R_9 into the next to last dynode can reduce ringing in the output waveform. As damping resistors, noninduction type resistors of about 10 to 100 ohms are used. If these values are too large, the time response will deteriorate. Minimum possible values should be selected in the necessary range while observing the actual output waveforms. Figure 7-12 shows typical waveforms as observed in a normal bleeder circuit with or without damping resistors. It is clear that use of the damping resistors effectively reduces ringing in the output waveform.



TACCC0010EA

Figure 7-11: Bleeder circuit with corrective actions against pulse output linearity, ringing and noise in the high-voltage power supply



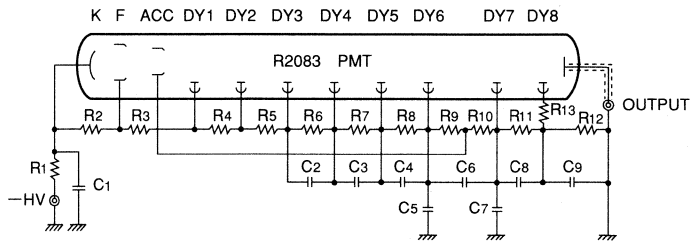
TACCB0002EA

Figure 7-12: Effect of damping resistors on ringing

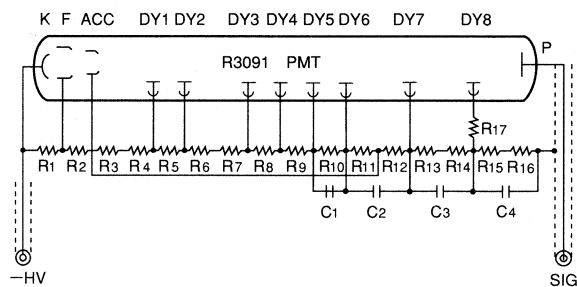
7. 1. 6 Practical fast-response bleeder circuits

The circuit diagrams of the Hamamatsu H2431 and H3284 photomultiplier tube assemblies are shown in Figure 7-13 below as practical examples of fast-response bleeder circuits which have been designed based on the description in the preceding section.

(a) H2431 circuit diagram



(b) H3284 circuit diagram



TPMHC0016EA

Figure 7-13: Fast-response bleeder circuits

7.1.7 High output linearity bleeder circuit (1)

In pulse applications such as scintillation counting, when a photomultiplier tube is operated at a high count rate, the output sometimes encounters linearity problems. In this case, use of transistors in place of the bleeder resistors at the latter stages can improve the output linearity degradation resulting from the bleeder current limitation.

As an example, Figure 7-14 shows a bleeder circuit for the Hamamatsu R329 photomultiplier tube, devised by FNAL (Fermi National Accelerator Laboratories)³.

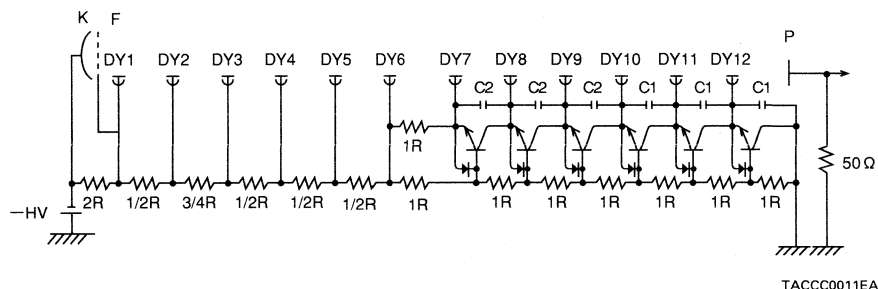


Figure 7-14: Bleeder circuit using transistors

In the circuit shown in Figure 7-14, a photoelectron current first flows into the first dynode, then secondary electrons flow through the successive dynodes and into the collector of each transistor. As a result, the emitter potential of each transistor increases while the collector current decreases along with a decrease in the base current. At this point, the decrease in the collector current is nearly equal to the current flowing through the photomultiplier tube and accordingly, the transistors supply the current for the photomultiplier tube.

When using these transistors, the following points must be taken into consideration.

- Choose transistors having a large h_{fe} so that sufficient current can flow into the collector.
- Choose transistors having good frequency characteristics.
- Use capacitors having good frequency characteristics.
- The number of stages to which transistors are added should be determined in view of the operating conditions of the photomultiplier tube to be used.

7.1.8 High output linearity bleeder circuit (2)

As shown in Figure 7-15, this circuit utilizes a Cockcroft-Walton voltage multiplier circuit in which an array of diodes is connected in series. Along each side of the alternate connection points, capacitors are connected in series. If the reference voltage V is placed at the input, this circuit provides voltage potentials of $2V$, $3V$ and so on at each connection point. Therefore, this power supply circuit functions just like a conventional resistive bleeder circuit. In addition, this circuit achieves good linearity for both DC and pulsed currents yet with low power consumption, making it suitable for use in compact circuits. As Figure 7-16 shows, the Cockcroft-Walton circuit assures higher DC linearity than that obtained with a resistive bleeder circuit.

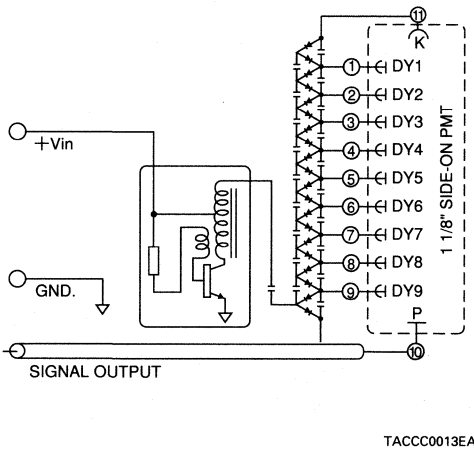


Figure 7-15: Cockcroft-Walton circuit

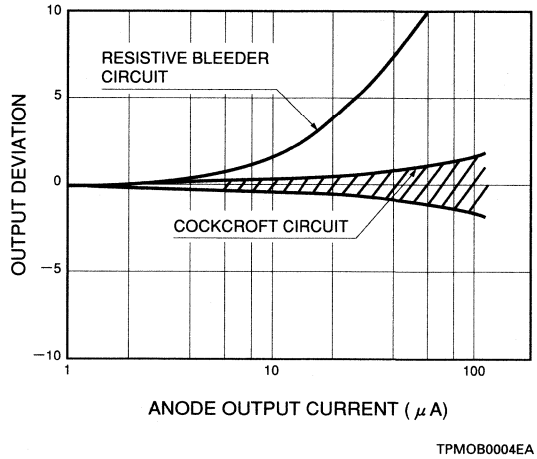


Figure 7-16: Output linearity

7. 1. 9 Gating circuit

Next, let us introduce gating circuits as a variant of bleeder circuits.

In general, in such applications as fluorescence measurement, plasma electron temperature measurement utilizing Thomson scattering, Raman spectroscopy and detection of defects in optical transmission paths, the signal light to be measured is extremely weak in comparison with primary light levels such as the excitation light. For this reason, the detector system is set up to have extremely high sensitivity. If even part of the primary light enters the detector system as stray light, it may cause saturation in the photomultiplier tube output and in the subsequent circuits, degrading their performance. This problem could be solved if only the excessive light was blocked by use of a ultra-fast shutter such as a liquid crystal. But this is not yet practical. A practical technique commonly used is “gating” by which a photomultiplier tube is electronically switched to eliminate the output during unnecessary periods when excess light may be present.

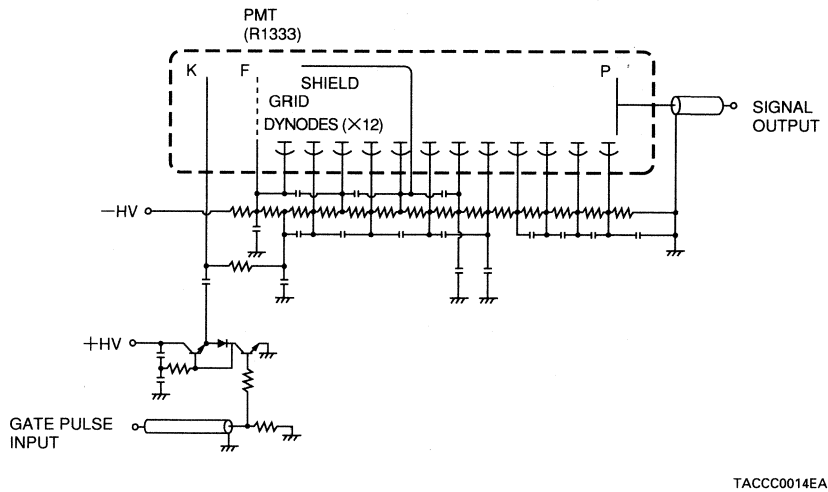


Figure 7-17: Circuit diagram of the C1392 socket assembly with a gating circuit

Figure 7-17 shows the circuit diagram of the Hamamatsu C1392 socket assembly with a gating circuit⁴⁾. The C1392 is a “normally OFF” type which normally sets the photomultiplier tube output to OFF, and

when a gate signal is inputted, sets the photomultiplier output to ON. Also available are variant models with reverse operation, i.e., a “normally ON” type which sets the output to OFF by input of a gate signal.

The following explains the basic operation of the C1392 socket assembly used in conjunction with a photomultiplier tube.

If the photomultiplier tube output is OFF at a gate input of 0V, a reverse bias of about 10 volts with respect to the focusing electrode and first dynode is supplied to the cathode, thereby preventing photoelectrons, if emitted from the cathode, from reaching the dynode section. Here, if a pulse signal of +3 to +4 volts is applied to the gate input terminal, the driver circuit gives a forward bias to the cathode via capacitance coupling, and sets the photomultiplier tube output to ON during the period determined by the gate pulse width and the time constant of the capacitance-coupled circuit. This gating circuit provides a switching ratio (or extinction ratio) of 10^4 or more. The capacitors are connected from the first through the center dynode to absorb the switching noises often encountered with this type of gating circuit.

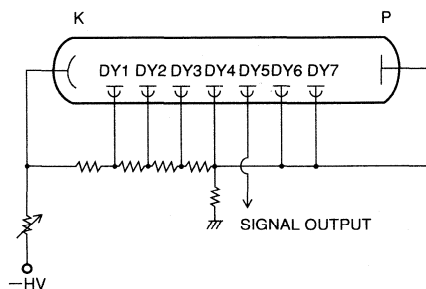
7.1.10 Output control circuit

The photomultiplier tube output is usually controlled by changing the supply voltage. In some applications, however, a single power supply is used to operate two or more photomultiplier tubes or an output control circuit is added to the bleeder circuit if the variable range of the high-voltage power supply and amplifier is narrow. The following explains how to provide an output control circuit, using the circuits shown in Figure 7-18 as examples.

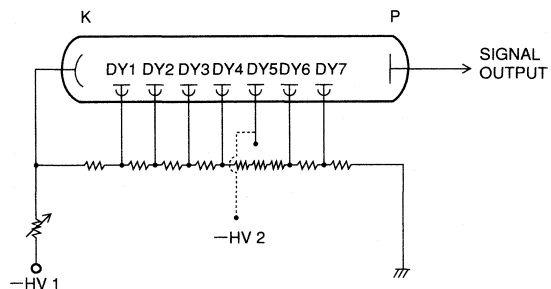
With the circuits shown in Figure 7-18, there are three techniques for controlling the photomultiplier tube output. The first is, as shown in both (1) and (2) in the figure, to use a variable resistor connected between the cathode and the negative high-voltage power supply so that the overall voltage applied to the photomultiplier tube can be varied. With this technique, depending on the conditions, the photomultiplier tube gain can be varied within a considerably wide range (up to 10 times). The high voltage supplied from the power supply is divided across this variable resistor and each resistor in the bleeder circuit. If the resistance value of the variable resistor is known, the change in the voltage applied to the photomultiplier tube can also be found, thus the signal variation can be predicted. Therefore, this technique is frequently used in many applications. It should be borne in mind that the higher the bleeder resistance value, the higher the variable resistance value should be and, in some cases, it might be difficult to obtain a high-quality resistor with high resistance and large rated capacity. On the other hand, if the bleeder resistor value is too small, a variable resistor with high rated capacity is required, and problems with contact failure in the variable resistor tend to occur.

Moreover, when a negative high voltage is applied to the cathode as shown in the figure, a high voltage is also impressed on the variable resistor. Thus the housing that contains the photomultiplier tube and associated circuits must also be designed to have sufficiently high dielectric resistance.

(1) Shorting the latter dynodes



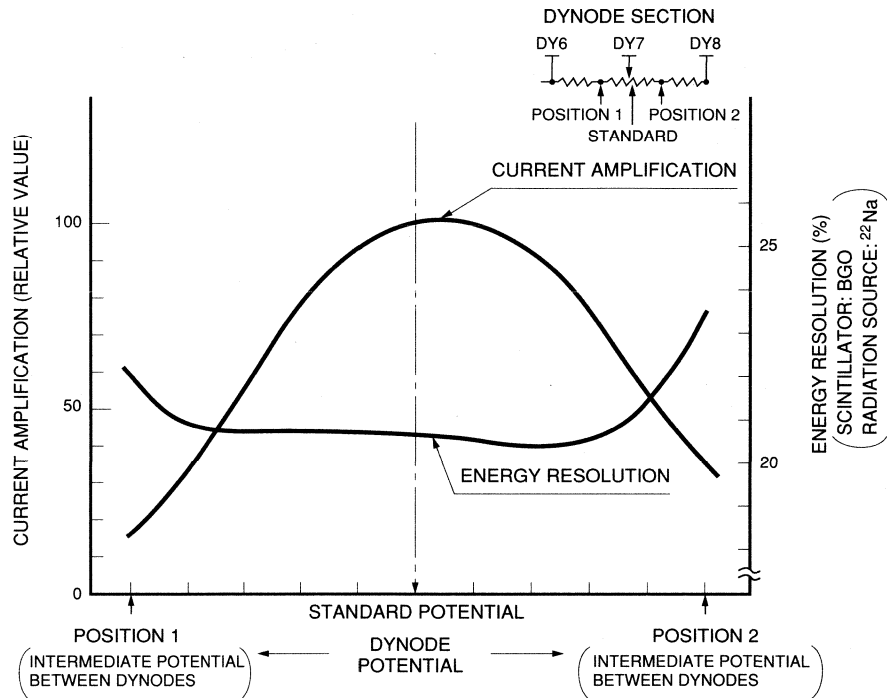
(2) Varying the potential of a middle-stage dynode



TACCC0015EA

Figure 7-18: Output control circuits

The second technique is to short the latter dynode stages and anode so that the signal is derived from a middle dynode. This is effective in cases in which the photomultiplier tube gain is so high that the supply voltage may drop considerably and the resultant decrease in the interstage voltage degrades the collection efficiency and secondary electron emission ratio. Shorting the latter dynode stages as shown in (1), that is, essentially, reducing the number of dynode stages, assures a higher interstage voltage and results in an improvement in the signal-to-noise ratio. However, this is accompanied by a sacrifice in linearity characteristics because the output is fetched from an earlier dynode. Furthermore, since the number of stages being used is changed, the gain versus supply voltage characteristic also varies accordingly. The degree of this variation is different from tube to tube, and it is therefore best to select a photomultiplier tube with characteristics optimized for the particular application rather than using this technique.



TPMOB0005EA

Figure 7-19: Gain variation and energy resolution as a function of dynode potential

The third technique is performed by varying the potential of a mid-stage dynode, as shown in Figure 7-18 (2). This makes use of the fact that with a varying dynode potential, the number of secondary electrons released from the dynode decreases and also the collection efficiency between dynodes drops. There are two methods of adjusting the dynode potential. In one method a variable resistor is added between the front and rear adjacent dynodes. The other method is to use an external power supply directly connected to the central dynode. Although both are relatively easy to implement, there is a disadvantage that the signal-to-noise ratio may deteriorate if the dynode potential is varied too much. Figure 7-19 dictates the gain variation and energy resolution of a photomultiplier tube when the dynode potential is varied continuously. It can be seen that the energy resolution begins to deteriorate near the points at which the gain drops by more than 50 percent. This behavior is not constant but differs depending on individual photomultiplier tubes. In addition, the variable gain range is not so wide.

As discussed above, it should be noted that using the bleeder circuit for controlling the photomultiplier tube output is not recommended. We advise using normal methods by which the power supply voltage is directly changed for controlling the photomultiplier tube output.

7.1.11 Precautions when fabricating a bleeder circuit

In the previous sections, the functions of various bleeder circuits and their design consideration have been discussed. This section describes the precautions for actually fabricating a bleeder circuit.

(1) Selecting the parts used for a bleeder circuit

Since the bleeder circuit has a direct influence on the photomultiplier tube operation, careful selection of parts is necessary.

Resistors

Because photomultiplier tubes are very susceptible to changes in the supply voltage and interstage voltage, metal-film resistors with a minimum temperature coefficient should be used. Preferably, use the same type of resistor for all stages, but if not available, select resistors with temperature coefficients which are close to each other. These resistors should also have good temperature characteristics, but their accuracy is not so critical. If non-uniformity between each resistor is held within ± 5 percent, it will work sufficiently. This is because the photomultiplier tube gain varies to some degree from tube to tube and also because a voltage difference of several volts will not affect the electron trajectories very much. If possible, we recommend using resistors with sufficient rated power and dielectric resistance, for example, respectively at least 1.7 times and 1.5 times higher than necessary. As a rough guide, the resistance value per stage is typically from 100 kilohms to 1 megohm. For damping resistance and load resistance, use noninduction type resistors designed for use at high frequency.

Decoupling capacitors

In pulsed light applications where a fast response photomultiplier tube handles the output with a rise time of less than 10 nanoseconds, decoupling capacitors are connected between dynodes. For these decoupling capacitors, use ceramic capacitors with sufficiently high impedance at a high frequency range and adequate dielectric resistance at least 1.5 times higher than the maximum voltage applied between dynodes. To prevent the actual capacitance from being lower than the designed value during operation, select capacitors with a minimum minus (-) tolerance.

For the bypass capacitor used to eliminate noise from the power supply connected to the high-voltage input terminal of a photomultiplier tube, use a ceramic capacitor having high impedance at high frequencies and adequate dielectric resistance.

Coupling capacitors

For the coupling capacitor which separates the signal from a positive high voltage applied to the anode in a grounded-cathode bleeder circuit, use a ceramic capacitor having minimum leakage current (which may also be a source of noise) as well as having superior frequency response and sufficient dielectric resistance.

PC boards for bleeder circuits

When a bleeder circuit is assembled not on a photomultiplier tube socket but on a PC board, use a high-quality PC board made of glass epoxy or similar materials which exhibit

low leakage current even at a high voltage. If both sides of the PC board are used for assembly, select a board with adequate thickness.

On a glass epoxy board, the wiring space between patterns necessary to hold a potential difference of 1 kilovolt is typically 1 millimeter or more.

Leads

For high voltage circuits, use teflon or silicone leads which can withstand a high voltage, or use coaxial cable such as RG-59B/U. In either case, take sufficient care with regard to the dielectric resistance of leads or conductor wires.

For signal output lines, use of a coaxial cable such as RG-174/U and 3D-2V is recommended. For high-speed circuits, in particular, a 50-ohm coaxial cable is commonly used to provide the good impedance match with the measurement equipment. However, if the signal current to be derived is not very low (several microamperes or more) and the lead length is no longer than 20 centimeters, using normal leads does not create any problem in practice, as long as a noise source is not located near the photomultiplier tube.

(2) Precautions for mounting components

This section describes precautions to be observed when mounting components on a bleeder circuit. Refer to Figure 7-11 while reading the following precautions.

Bleeder resistors

Considering heat dispersion, provide adequate space between bleeder resistors so as not to allow them to make contact with each other. When a low resistance is used or in low-light-level measurement where an increase in the dark current resulting from temperature rise may create a significant problem, avoid direct connections of bleeder resistors to the lead pins of the photomultiplier tube or to the socket so that Joule heat generated from the bleeder circuit is not directly conducted to the photomultiplier tube. Be sure to allow a distance between the photomultiplier tube and the bleeder circuit.

Decoupling capacitors

The lead length of decoupling capacitors used for fast pulse operation affects the photomultiplier tube time properties and also causes ringing due to the lead inductance. Therefore lead length should be kept as short as possible. Even when mounting bleeder resistors remote from a photomultiplier tube, the decoupling capacitors must be mounted directly to the lead pins of the photomultiplier tube or to the socket.

Signal output line

The wiring length of a signal output line including load resistance should be as short as possible. It must be wired away from the high voltage lines and the components to which a high voltage is applied. In particular, when handling fast pulse signals, grounding of the signal circuitry and power supply circuitry, as shown in Figure 7-11, is essential. If extra-low output currents are to be derived from a photomultiplier tube, attention must also be paid to shielding the signal line and to preventing ohmic leakage.

7.2 Photomultiplier Tube Voltage Dependence and High-Voltage Power Supply

Photoelectrons emitted from the photocathode of a photomultiplier tube are guided by the focusing electrode or accelerating electrode and impinge on the first dynode where several times this number of electrons are released as secondary electrons. These secondary electrons are further multiplied in the successive dynodes and finally a large number of electrons, 0.1 to 10 million times the initial number of photoelectrons, reach the anode. As detailed in Section 2.2 of Chapter 3, when a voltage V is applied between the cathode and the anode of a photomultiplier tube having n dynode stages, the overall current amplification μ is expressed in the following relation.

$$\mu = A \cdot V^{kn}$$

Typical photomultiplier tubes employ about 10 stages of dynodes and as shown in Figure 7-20, the current amplification is proportional to the 6th to 10th power of the voltage applied between the cathode and the anode. This means that the photomultiplier tube output is extremely susceptible to variations in the applied voltage and that the power supply used for photomultiplier tubes must be stable.

Including drift, ripple, temperature dependence, input regulation and load regulation, the power supply must provide collective stability which is at least 10 times as stable as the output stability required of the photomultiplier tube.

Series-regulator types regulated high-voltage power supplies optimized for photomultiplier tubes, are extensively used and have gained a good reputation. Recently, a variety of switching-regulator types have been put on the market and are becoming widely used. Most of the switching-regulator type power supplies offer compactness and light weight, yet provide high voltage and high current. However, with some models, the switching noise is superimposed on the AC input and high voltage output or the noise is radiated. Thus, sufficient care is required when selecting this type of power supply, especially in low-light-level detection, measurement involving fast signal processing, and photon counting applications.

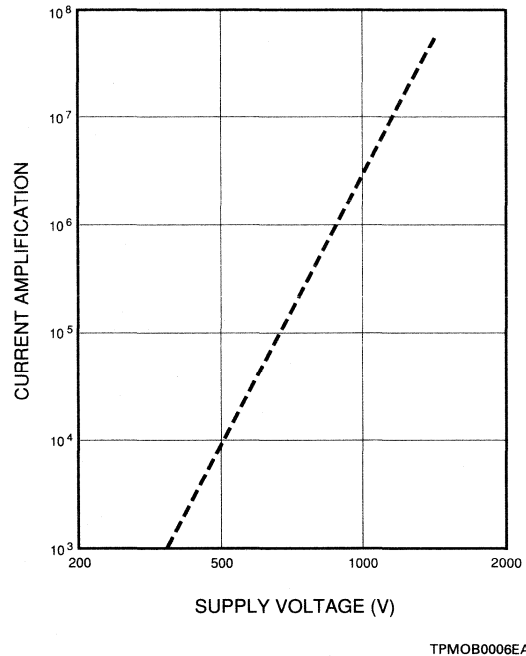


Figure 7-20: Current amplification vs. supply voltage

7.3 Connection to The External Circuit

7.3.1 Observing an output signal

To observe the output signal of a photomultiplier tube, various methods are used depending on the operating conditions as illustrated in Figures 7-21 to 7-23.

As described in Section 7.1.2 in this chapter, there are two schemes for bleeder circuit operation: the anode grounding and the cathode grounding schemes. The anode grounding scheme permits both DC and pulse operation as shown in Figures 7-21 and 7-22. On the other hand, the cathode grounding scheme uses a coupling capacitor to separate the high voltage applied to the anode, so that only pulse operation is feasible. This scheme eliminates DC components produced by such factors as background light.

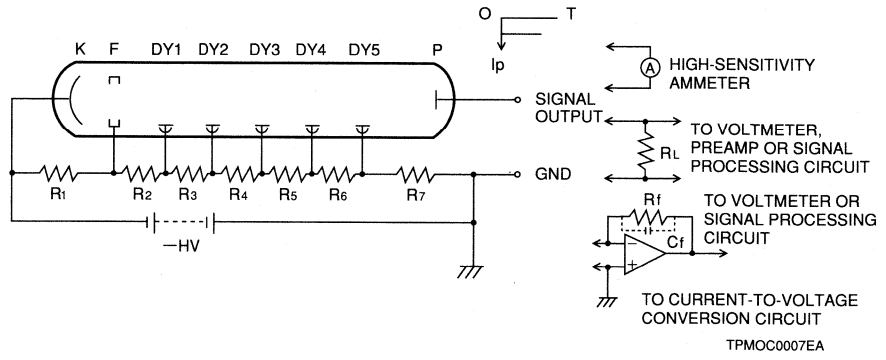


Figure 7-21: Anode grounding scheme in DC operation

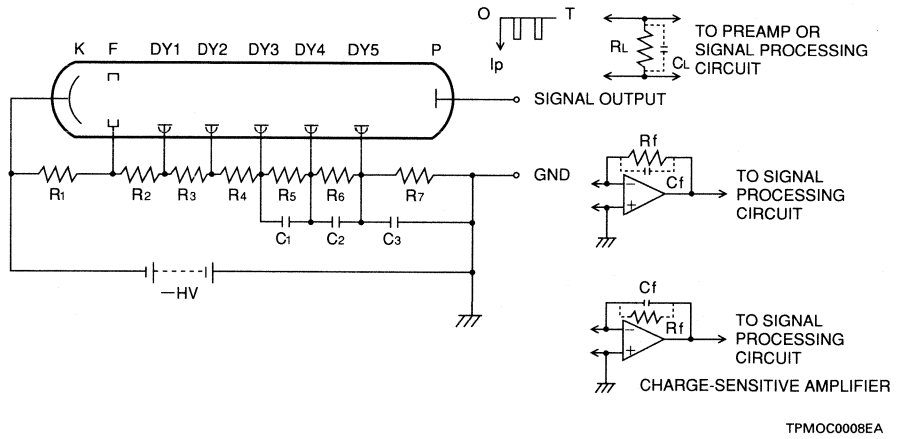


Figure 7-22: Anode grounding scheme in pulse operation

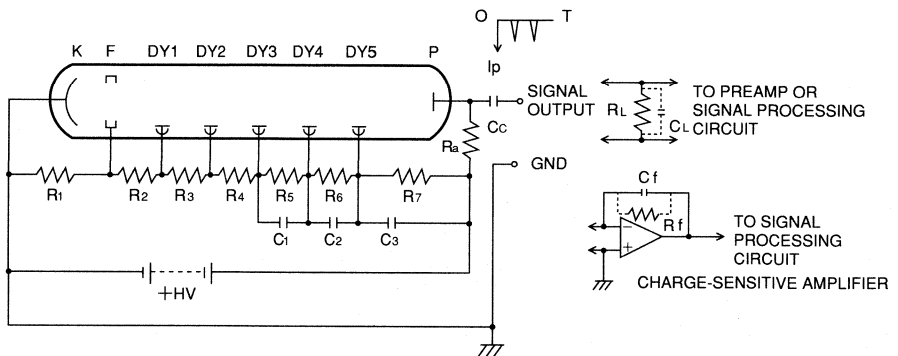


Figure 7-23: Cathode grounding scheme in pulse operation

It should be noted that when wiring the photomultiplier tube output to an amplifier circuit, the amplifier circuit must be wired before turning on the high-voltage power supply. When a high voltage is applied to the bleeder circuit even in a dark state, the possible dark current creates a charge on the anode. If the bleeder circuit is wired to the amplifier circuit under this condition, the charge will instantaneously flow into the amplifier, thus probably leading to damage of the amplifier circuit. Care should particularly be taken when using high speed circuits, as they are more susceptible to damage.

7.3.2 Influence of a coupling capacitor

A coupling capacitor, required by the cathode grounding scheme, can also be used in the anode grounding scheme in order to eliminate the DC components. This section describes precautions for using a bleeder circuit to which a coupling capacitor is connected.

Output waveform

When a photomultiplier tube is operated with the circuit shown in Figure 7-24, if the anode output pulse width P_w is sufficiently shorter than the time constant CR (R is parallel resistance of R_a and R_L), the impedance of the coupling capacitor can be ignored and thus the signal pulse current is divided to flow into R_L and R_a . In this case, the input waveform is transmitted to the output waveform without distortion, regardless of the capacitance value of the coupling capacitor. However, if P_w is close to or longer than CR , the output will have a differential waveform.

Because the coupling capacitor is merely used as a coupling element between the bleeder circuit and the amplifier circuit, P_w must be at least several tens of times shorter than CR so that the output waveform has good fidelity to the input waveform. If the output waveform is differentiated, the output pulse height is influenced by the capacitance value and temperature characteristic of the coupling capacitor. In particular, when a 50-ohm resistor is used for R_a to optimize fast response operation, the time constant CR becomes small and thus care should be taken of this point.

In the case of low frequency applications, the impedance of the coupling capacitor cannot be ignored. Since its impedance $Z_C = \frac{1}{2\pi fC}$, the output signal decays by 3dB (approximately to 7/10th of the pulse height) at a frequency $f = 1/2\pi CR_a$.

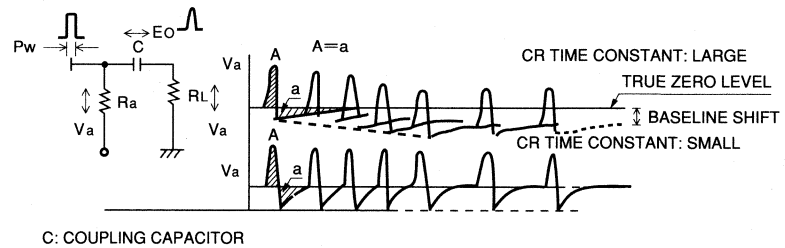
Base-line shift

As stated above, the amount of the signal passing through the coupling capacitor is stored as a corresponding charge on the capacitor. This stored charge Q generates a voltage of $E_0 = Q/C$ across both sides of the capacitor in the reverse direction of the signal. This voltage E_0 attenuates by a factor of $V = E_0 e^{-t/RC}$ related to the time constant CR which is determined by the capacitance value C and the serial resistance value R of R_a and R_L . The voltage induced in the capacitor is divided by R_a and R_L , and the output voltage V_a is given by the following equation:

$$V_a = E_0 e^{-t/RC} \times \frac{R_a}{R_a + R_L} \dots\dots\dots (\text{Eq. 7-6})$$

Here, if the signal repetition rate increases, the base line does not return to the true zero level. This is known as base-line shift, and can be minimized by reducing the time constant CR . In this case, reducing the capacitor value increases the initial voltage E_0 , but shortens the discharge time. Decreasing the resistor value also shortens the discharge time, but this is accompanied by a decrease in the signal voltage, causing a problem with the

signal-to-noise ratio. In contrast, increasing the resistor value produces a larger output and results in an improvement in the signal-to-noise ratio, but a base-line shift tends to occur due to the long time constant. If R_a is large, it lowers the anode potential, thus care is required when excessive current including DC current flows.



TPMOC0010EA

Figure 7-24: Base-line shift

Eventually, when the amount of charge stored on the capacitor (portion A in Figure 7-24) is discharged in a certain time period (portion a in Figure 7-24), the area of portion A is equal to the area of portion a, regardless of the discharge time constant. In general, the circuit time constant is longer than the signal pulse width, so this discharge time will have less effect on the pulse height. However, when the signal repetition rate is extremely high or accurate information on the output pulse height is needed, the discharge time cannot be neglected. If a base-line shift occurs, the signal is observed at an apparently lower level. Therefore, when designing the circuit it is necessary to select the optimum resistor and capacitor values such that the output pulse height exhibits no fluctuations even if the signal repetition rate is increased.

Furthermore, when multiple pulses enter the measurement system including an amplifier, these pulses are added to create a large pulse, and a so-called “pile-up” problem occurs. Because of this, in applications where a pulse height discriminator is used to discern the height of individual pulses, it is important to take into account the time resolution of the measurement device.

7.3.3 Current-to-voltage conversion for photomultiplier tube output

The output of a photomultiplier tube is a current (charge), while the external signal processing circuit is usually designed to handle a voltage signal. Therefore, the current output must be converted into a voltage signal by some means, except when the output is measured with a high-sensitivity ammeter. The following describes how to perform the current-to-voltage conversion and major precautions to be observed.

(1) Current-to-voltage conversion using load resistance

One method for converting the current output of a photomultiplier tube into a voltage output is to use a load resistance. Since the photomultiplier tube may be thought of as an ideal constant-current source at low output current levels, a load resistance with a considerably large value can theoretically be used. In practice, however, the load resistance value is limited by such factors as the required frequency response and output linearity as discussed below.

If, in the circuit of Figure 7-25, we let the load resistance be R_L and the total electrostatic capacitance of the photomultiplier tube anode to all other electrodes including stray capacitance such as wiring capacitance be C_s , then the cutoff frequency f_c is given by the following equation:

$$f_c = \frac{1}{2\pi C_s R_L} \text{ (Hz)} \dots\dots\dots \text{(Eq. 7-7)}$$

From this relation, it can be seen that, even if the photomultiplier tube and amplifier have fast response, the response is limited to the cutoff frequency f_c determined by the subsequent output circuits. In addition, as described in Section 7.1.4 in this chapter, if the load resistance is made unnecessarily large, the voltage drop by $I_p \cdot R_L$ at the anode potential is increased accordingly, causing the last-dynode-to-anode voltage to decrease. This will increase the space charge effect and result in degradation of output linearity.

When selecting the optimum load resistance, it is also necessary to take account of the internal input resistance of the amplifier connected to the photomultiplier tube. Figure 7-26 shows equivalent circuits of the photomultiplier tube output when connected to an amplifier. In this figure, if the load resistance is R_L and the input resistance is R_{in} , the resultant parallel output resistance R_0 is calculated from the following relation:

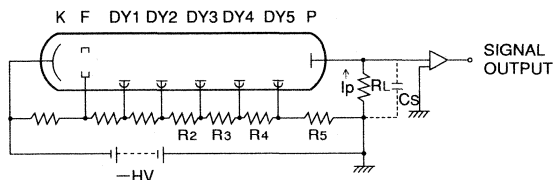
$$R_0 = \frac{R_{in} \cdot R_L}{R_{in} + R_L} \dots \text{(Eq. 7-8)}$$

This value of R_0 , less than the R_L value, is then the effective load resistance of the photomultiplier tube. The relation between the output voltage V_0 at $R_{in} = \infty \Omega$ and the output voltage V_0' when the output was affected by R_{in} is expressed as follows:

$$V_0' = V_0 \times \frac{R_{in}}{R_{in} + R_L} \dots\dots\dots \text{(Eq. 7-9)}$$

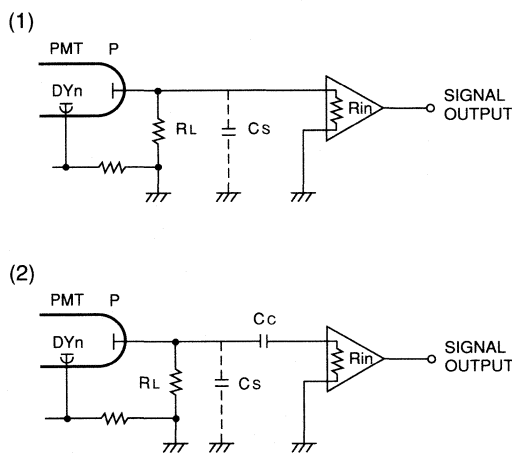
With $R_{in} = R_L$, V_0' is one-half the value of V_0 . This means that the upper limit of the load resistance is actually the input resistance R_{in} of the amplifier and that making the load resistance greater than this value does not have a significant effect. Particularly, when a coupling capacitor C_c is placed between the photomultiplier tube and the amplifier, as shown in Figure 7-26, an unnecessarily large load resistance may create a problem with the output level.

While the above description assumed the load resistance and internal input resistance of the amplifier to be purely resistive, in practice, stray capacitance and stray inductance



TACCC0016EA

Figure 7-25: Photomultiplier tube and output circuit



TACCC0017EA

Figure 7-26: Amplifier internal input resistance

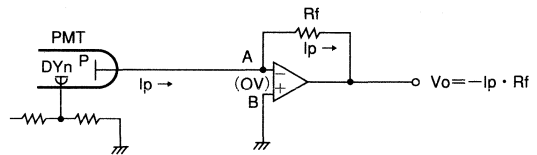
are added. Therefore, these circuit elements must be considered as compound impedances, especially in high frequency operation.

Summarizing the above discussions, the following guides should be used in determining the load resistance:

- When frequency and amplitude characteristics are important, make the load resistance value as small as possible. Also, minimize the stray capacitance such as cable capacitance which may be present in parallel with the load resistance.
- When the linearity of output amplitude is important, select a load resistance value such that the output voltage developed across the load resistance is several percent of the last-dynode-to-anode voltage.
- Use a load resistance value equal to or less than the input impedance of the amplifier connected to the photomultiplier tube.

(2) Current-to-voltage conversion using an operational amplifier

The combination of a current-to-voltage conversion circuit using an operational amplifier and an analog or digital voltmeter enables accurate measurement of the output current from a photomultiplier tube, without having to use an expensive, high-sensitivity ammeter. A basic current-to-voltage conversion circuit using an operational amplifier is shown in Figure 7-27.



TACCC0018EA

Figure 7-27: Current-to-voltage conversion circuit using an operational amplifier

With this circuit, the output voltage V_o is given by

$$V_o = -I_p \cdot R_f \dots\dots\dots(\text{Eq. 7-10})$$

This relation can be understood as follows:

Since the input impedance of the operational amplifier is extremely high, the output current of the photomultiplier tube is blocked from flowing into the inverting input terminal (-) of the operational amplifier at point A in Figure 7-27. Therefore, most of the output current flows through the feedback resistance R_f and a voltage of $I_p \cdot R_f$ is developed across R_f . On the other hand, the operational amplifier gain (open loop gain) is as high as 10^5 , and it always acts so as to maintain the potential of the inverting input terminal (point A) at a potential equal to that (ground potential) of the non-inverting input terminal (point B). (This effect is known as an imaginary short or virtual ground.) Because of this, the operational amplifier outputs voltage V_o which is equal to that developed across R_f . Theoretically, use of a preamplifier performs the current-to-voltage conversion with an accuracy as high as the reciprocal of the open loop gain.

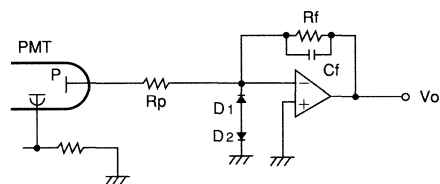
When a preamplifier is used, factors that determine the minimum measurable current are the preamplifier offset current (I_{OS}), the quality of R_f and insulating materials used, and wiring methods.

To accurately measure a very low current on the order of picoamperes ($10^{-12}A$), the following points should be noted in addition to the above factors:

- Connect the photomultiplier tube anode directly to the signal output cable without using any repeater.
- Use a low-noise type coaxial cable with sufficiently high insulating properties for the signal output cable.
- Select a connector with adequate insulating properties, for example, a teflon connector.
- For connection of the photomultiplier tube anode to the input signal pin of the preamplifier, do not use a trace on the printed circuit board but use a teflon standoff instead.
- For the actual output $V_0 = -(I_p + I_{OS})R_f + V_{os}$, if the R_f value is large, I_{OS} may cause a problem. Therefore, select a FET input preamplifier which has a small I_{OS} of less than 0.1 picoamperes and also exhibits minimum input conversion noise and temperature drift.
- Provide adequate output-offset adjustment and phase compensation for the preamplifier.
- Use a metal-film resistor with a minimum temperature coefficient and tolerance for the feedback resistance R_f . Use clean tweezers to handle the resistor so that no dirt or foreign material gets on its surface. In addition, when the resistance value must be 10^9 ohms or more, use a glass-sealed resistor that assures low leakage current.
- Carbon-film resistors are not suitable as a load resistance because of insufficient accuracy and temperature characteristics and, depending on the type, noise problems. When several feedback resistors are used to switch the current range, place a ceramic rotary switch with minimum leakage current or a high-quality reed relay between the feedback resistance and the preamplifier output. Also connect a low-leakage capacitor with good temperature characteristics, for example a styrene capacitor, in parallel with the feedback resistors so that the frequency range can be limited to a frequency permitted by the application.
- Use a glass-epoxy PC board or other boards with better insulating properties.

On the other hand, since the maximum output voltage of a preamplifier is typically 1 to 2 volts lower than the supply voltage, multiple feedback resistors are usually used for switching to extend the measurement current range. In this method, grounding the non-inverting input terminal of the preamplifier for each range, via a resistor with a resistance equal to the feedback resistance while observing the above precautions can balance the input bias current, so that the offset current I_{OS} between the input terminals can be reduced.

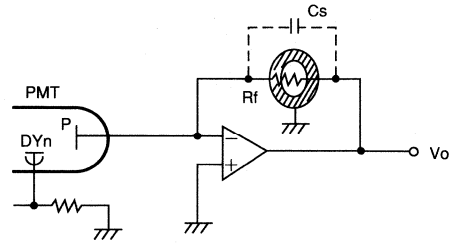
If high voltage is accidentally emitted by the photomultiplier tube, a protective circuit consisting of a resistor R_p and diodes D_1 and D_2 as shown in Figure 7-28 is effective in protecting the preamplifier from being damaged. In this case, these diodes should have minimum leakage current and junction capacitance. The B-E junction of a low-signal-amplification transistor or FET is commonly used. If R_p in Figure 7-28 is too small, it will not effectively protect the circuit, but if too large, an error may occur when measuring a large current. It is suggested that R_p be selected in a range from several kilohms to several tens of kilohms.



TACCC0019EA

Figure 7-28: Protective circuit for preamplifier

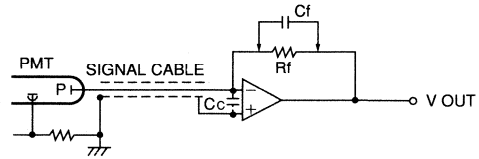
When a feedback resistance, R_f , and of as high as 10^{12} ohms is used, if a stray capacitance, C_s , exists in parallel with R_f as shown in Figure 7-26, the circuit exhibits a time constant of $C_s \cdot R_f$. This limits the bandwidth. Depending on the application. This may cause a problem. As illustrated in the figure, passing R_f through a hole in a shield plate can reduce C_s , resulting in an improvement of the response speed.



TACCC0020EA

Figure 7-29: Canceling the stray capacitance C_s

The output cable for a photomultiplier tube has an equivalent capacitance C_C when the cable is long, the C_C and R_f create a rolloff in the frequency response of the feedback loop. This rolloff may be the cause of oscillations. Connecting C_f in parallel with R_f is used in canceling out the rolloff and avoiding this oscillation, but degradation of the response speed is inevitable.



TACCC0021EA

Figure 7-30: Canceling the signal cable capacitance

(3) Charge-sensitive amplifier using an operational amplifier

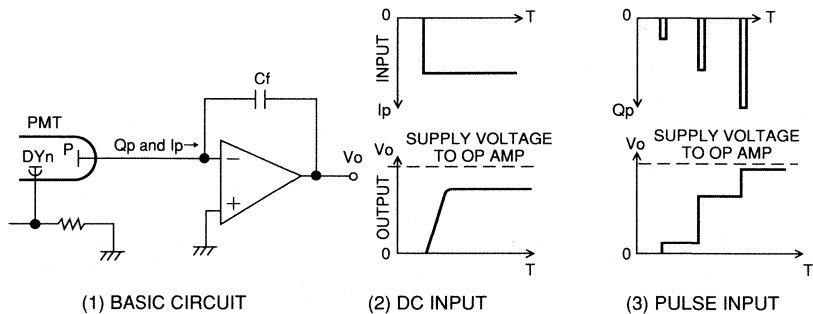
Figure 7-31 (1) shows the basic circuit of a charge-sensitive amplifier using an operational amplifier. The output charge Q_p of a photomultiplier tube is stored in C_f , and the output voltage V_0 is expressed by the following equation:

$$V_0 = - \int_0^t Q_p \cdot dt \dots\dots\dots(\text{Eq. 7-11})$$

Here, if the output current of the photomultiplier tube is I_p , V_0 becomes

$$V_0 = - \frac{1}{C} \int_0^t I_p \cdot dt \dots\dots\dots(\text{Eq. 7-12})$$

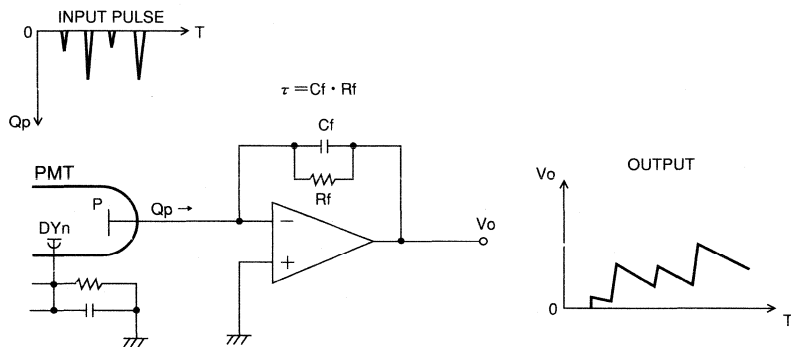
When the output charge is accumulated continuously, V_0 finally increases up to a level near the supply voltage for the preamplifier, as shown in Figure 7-31 (2) and (3).



TACCC0022EA

Figure 7-31: Charge-sensitive amplifier circuit and its operation

In Figure 7-31 (1), acts as an integrator that stores the output charge during the measurement time, regardless of whether the photomultiplier tube output is DC or pulse. If a FET switch is added in parallel to C_f , the charge stored in C_f can be discharged at the beginning of a measurement. In scintillation counting or photon counting, the individual output pulses of a photomultiplier tube must be converted into corresponding voltage pulses. Therefore, R_f is connected in parallel with C_f as shown in Figure 7-32, so that a circuit having a discharge time constant $\tau = C_f \cdot R_f$ is used⁵⁾.



TACCC0023EA

Figure 7-32: Pulse input type charge-sensitive amplifier

If the time constant τ is made small, the output V_o is more dependent on the pulse height of the input current. Conversely, if τ is made large, V_o will be more dependent on the input pulse charge and eventually approaches the value of $-Q_p/C_f$. In scintillation counting, from the relation between the circuit time constant $\tau = RC$ and the fluorescent decay constant of the scintillator τ_s , the output-pulse voltage waveform $V(t)$ is given by⁵⁾

$$V(t) = \frac{Q \cdot \tau}{C \cdot (\tau - \tau_s)} (e^{-t/\tau} - e^{-t/\tau_s}) \dots\dots\dots(\text{Eq. 7-13})$$

when $\tau \gg \tau_s$, $V(t)$ becomes

$$V(t) \approx \frac{Q}{C} (e^{-t/\tau} - e^{-t/\tau_s}) \dots\dots\dots(\text{Eq. 7-14})$$

While, when $\tau \ll \tau_s$, $V(t)$ is

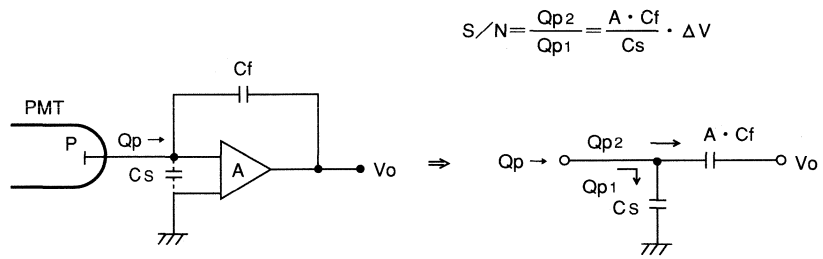
$$V(t) \approx \frac{Q}{C} \cdot \frac{\tau}{\tau_s} (e^{-t/\tau_s} - e^{-t/\tau}) \dots\dots\dots(\text{Eq. 7-15})$$

When the circuit time constant τ is larger than the scintillator decay constant τ_s , the rise of the output waveform depends on τ_s , while the fall depends on τ , with the maximum pulse height given by Q/C . In contrast, when the circuit time constant τ is smaller than τ_s , the rise of the output waveform depends on τ , while the fall depends on τ_s , with the maximum pulse height given by $Q/C \cdot \tau / \tau_s$. In most cases, the condition of $\tau \gg \tau_s$ is used since higher energy resolution can be expected. This is because the output pulse has a large amplitude so that it is less influenced by such factors as noise, temperature characteristics of the scintillator and variations of the load resistance. In this case, it should be noted that the pulse width becomes longer due to a larger τ and, if the repetition rate is high, base-line shift and pile-up tend to occur. If measurement requires a high counting rate, reducing τ is effective in creating an output waveform as fast as the scintillator decay time. However, the output pulse height becomes lower and tends to be affected by noise, resulting in a sacrifice of energy resolution. Under either condition, the output voltage $V(t)$ is proportional to the output charge from the photomultiplier tube anode. Generally, the load capacitance is reduced to obtain higher pulse height as long as

the operation permits, and in most cases the resistor value is changed to alter the time constant. When a NaI(Tl) scintillator is used, the time constant is usually selected to be from several microseconds to several tens of microseconds.

As explained above, noise generated in the charge-sensitive amplifier degrades the energy resolution. This noise mainly originates from the amplifier circuit elements, but care should also be taken of the cable capacitance C_s indicated in Figure 7-33 because the output charge of the photomultiplier tube is divided and stored in C_f and C_s . The C_s makes the charge of C_f smaller as compared to the amount of charge without C_s . Thus, it is necessary to increase the value of $A \cdot C_f / C_s$ in order to improve the signal-to-noise ratio. In actual operation, however, since $A \cdot C_f$ cannot be made larger than a certain value due to various limiting conditions, the value of C_s is usually made as small as possible to improve the signal-to-noise ratio.

In scintillation counting measurements, a common method of reducing the cable capacitance is to place the preamplifier in the vicinity of the photomultiplier tube, remote from the main amplifier.



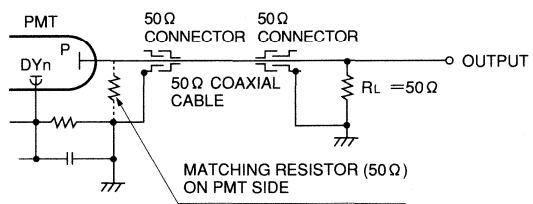
TACCC0024EA

Figure 7-33: Influence of input distribution capacitance

7.3.4 Output circuit for a fast response photomultiplier tube

For the detection of light pulses with fast rise and fall times, a coaxial cable with 50-ohm impedance is used to make connection between the photomultiplier tube and the subsequent circuits.

To transmit and receive the signal output waveform with good fidelity, the output end must be terminated in a pure resistance equal to the characteristic impedance of the coaxial cable. This allows the impedance seen from the photomultiplier tube to remain constant, independent of the cable length, thus making it possible to reduce “ringing” which may be observed in the output waveform. However, when using an MCP-PMT for the detection of ultrafast phenomena, if the cable length is made unnecessarily long, distortion may occur in signal waveforms due to a signal loss in the coaxial cable.



TACCC0025EA

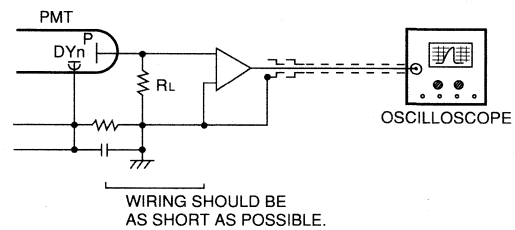
Figure 7-34: Output circuit impedance match

If a proper impedance match is not provided at the output end, the impedance seen from the photomultiplier tube varies with frequency, and further the impedance value is also affected by the coaxial cable length, as a result, ringing appears in the output. Such a mismatch may be caused not only by the terminated resistance and the coaxial cable but also by the connectors or the termination method of the coaxial cable. Thus, sufficient care must be taken to select a proper connector and also to avoid creating impedance discontinuity when connecting the coaxial cable to the photomultiplier tube or the connector.

When a mismatch occurs at the coaxial cable ends, all of the output signal energy is not dissipated at the output end, but is partially reflected back to the photomultiplier tube. If a matching resistor is not provided on the photomultiplier tube side, the photomultiplier tube anode is viewed as an open end, thus the signal will be reflected from the anode and returned to the output end again. This reflected signal is observed as a pulse which appears after the main pulse with a time delay equal to the round trip through the coaxial cable. This signal repeats its round trip until its total energy is dissipated, as a result, ringing occurs at the output end. To prevent this, providing an impedance match not only at the output end but also at the photomultiplier tube side is effective to some extent, although the output voltage will be reduced to one-half in comparison with that obtained when impedance match is done only at the output end. When using a photomultiplier tube which is not a fast response type or using a coaxial cable with a short length, an impedance matching resistor is not necessarily required on the photomultiplier tube side. Whether or not to connect this resistor to the photomultiplier tube can be determined by doing trial-and-error impedance matching. Among photomultiplier tubes, there are special types having a 50-ohm matched output impedance. These tubes do not require any matching resistor.

Next, let us consider waveform observation of fast pulses using an oscilloscope.

A coaxial cable terminated with a matching resistor offers the advantage that the cable length will not greatly affect the pulse shape. Since the matching resistance is usually as low as 50 to 100 ohms, the output voltage is reduced. While this situation can be corrected by use of a wide-band amplifier with high gain, the inherent noise of such an amplifier makes it difficult to measure low-level signals. In this case, to achieve the desired output voltage, it is more advantageous, as shown in Figure 7-35, to bring the photomultiplier tube as close as possible to the amplifier to reduce the stray capacitance and also to use as a large load resistance as a possible without effecting the frequency response.



TACCC0026EA

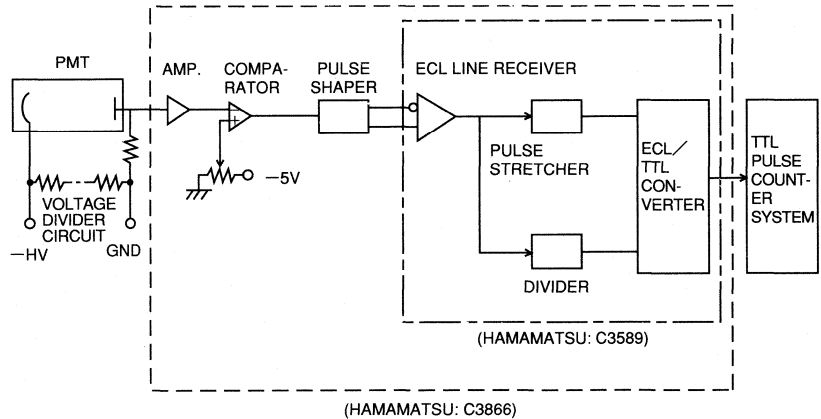
Figure 7-35: Waveform observation using an oscilloscope

It is relatively simple to operate a fast amplifier with a wide bandwidth using a video IC or pulse type IC. However, in exchange for such design convenience, these ICs tends to reduce performance, such as introducing noise. For optimum operation, it is therefore necessary to know their performance limits and take corrective action.

As the pulse repetition rate increases, a phenomenon called "base-line shift" creates another reason for concern. This base-line shift occurs when the DC signal component has been eliminated from the signal circuit by use of a coupling capacitor. If this occurs, the zero reference level shifts from ground to an apparent zero level equal to the average of the output pulses. Furthermore, when multiple pulses enter within the time resolution of the measuring system including the amplifier, they are integrated so that a large output pulse appears. This is known as "pile-up". Special care should be taken in cases where a pulse height discriminator is used to discern the amplitude of individual pulses.

7.3.5 Photon counting circuits

Because the basic operating principles of photon counting have already been detailed in Section 3.4 of Chapter 3, this section briefly explains how to connect a photomultiplier tube to the photon counting circuits available from Hamamatsu Photonics. The block diagram of the photon counting circuits connected between the photomultiplier tube anode and a TTL counter is shown in Figure 7-36.



TACCC0027EA

Figure 7-36: Photon counting circuits

After passing through the comparator and pulse shaper, the output signals become ECL output pulses. These are then fed to the ECL line receiver and the pulse width is extended by the pulse stretcher so that the signals are compatible with a TTL counter. If a high-speed counter is not available, use of a prescaler enables photon counting operation without impairing the linearity.

7.4 Housing

A photomultiplier tube housing is primarily used to contain and secure in place a photomultiplier tube, but it also provides the following functions:

- To shield extraneous light
- To eliminate the effect of external electrostatic fields
- To reduce the effect of external magnetic fields

The following sections explain each of these functions

7.4.1 Light shield

Since a photomultiplier tube is an extremely high-sensitivity photodetector, the signal light level to be detected is very low and therefore particular care must be exercised in shielding extraneous light. For instance, when a connector is used for signal input/output, there is a possibility of light leakage through the connector itself or through its mounting holes and screw holes. Furthermore, light leakage may occur through seams in the housing.

As a corrective action, when mounting connectors or other components in the housing, use black silicone rubber at any location where light leakage may occur. It is also important to use black soft tape or an O-ring so as to fill in any gaps around the components attached to the housing. In addition, it is necessary to coat the inside of the housing with black mat paint in order to prevent reflection of scattered light.

7.4.2 Electrostatic shield

Since photomultiplier tube housings are made of metal such as aluminum, maintaining the housing at ground potential provides an effective shield with respect to external electrostatic fields. The inside of the housing is usually coated with black paint to prevent diffuse reflection of light, so care is required to be certain that the paint does not interfere with the contact of the ground line. As stated previously, if any object

at ground potential is brought close to the bulb of a photomultiplier tube, noise increases, so that the housing should have sufficient separation from the photomultiplier tube.

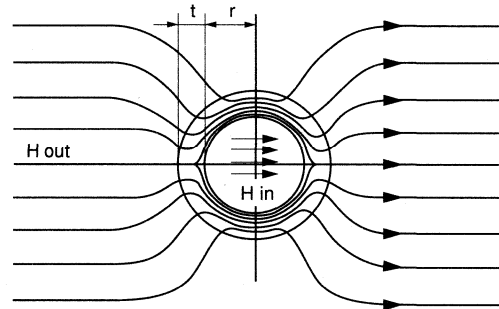
7. 4. 3 Magnetic shield

As will be described in Section 3.3 of Chapter 8, photomultiplier tubes are very sensitive to a magnetic field. Even terrestrial magnetism will have a detrimental effect on the photomultiplier tube performance⁶⁾. Therefore, in precision photometry or in applications where the photomultiplier tube must be used in a highly magnetic field, the use of a magnetic shield case is essential. However, unlike the electrostatic shield, there exists no conductors that carry the magnetic flux. It is not possible to shield a magnetic field completely. One common technique for reducing the effect of an external magnetic field is to wrap a metal shield having high permeability around the photomultiplier tube bulb, but such a metal shield cannot completely block the magnetic field. It is also necessary to select an optimum shielding material and method, based on both the strength and frequency of the magnetic fields.

In general applications, it is not necessary to fabricate the entire housing from high-permeability materials. Instead, a photomultiplier tube can be wrapped into a cylindrical shield case. Among shielding materials, "Permalloy" is the best and is widely used. The effect of a magnetic shield is described below.

(1) Shielding factor of magnetic shield case and orientation of magnetic field

Photomultiplier tubes are very sensitive to an external magnetic field, especially for head-on types, the output varies significantly even with terrestrial magnetism. To eliminate the effect of the terrestrial magnetism or to operate a photomultiplier tube more stably in a magnetic field, a magnetic shield case must be used. (Also refer to Section 3.3 of Chapter 8.) Utilizing the fact that a magnetic field is shunted through an object with high permeability, it is possible to reduce the influence of an external magnetic field by placing the photomultiplier tube within a magnetic shield case, as illustrated in Figure 7-37.



TACCC0028EA

Figure 7-37: Shielding effect of a magnetic shield case

Let us consider the shielding effect of a magnetic shield case illustrated in Figure 7-37. As stated, the magnetic shield case is commonly fabricated from metal with high-permeability such as Permalloy. The shielding factor S of such a magnetic shield case is expressed as follows:

$$S = \frac{H_{out}}{H_{in}} = \frac{3t\mu}{4r} \dots\dots\dots(\text{Eq. 7-16})$$

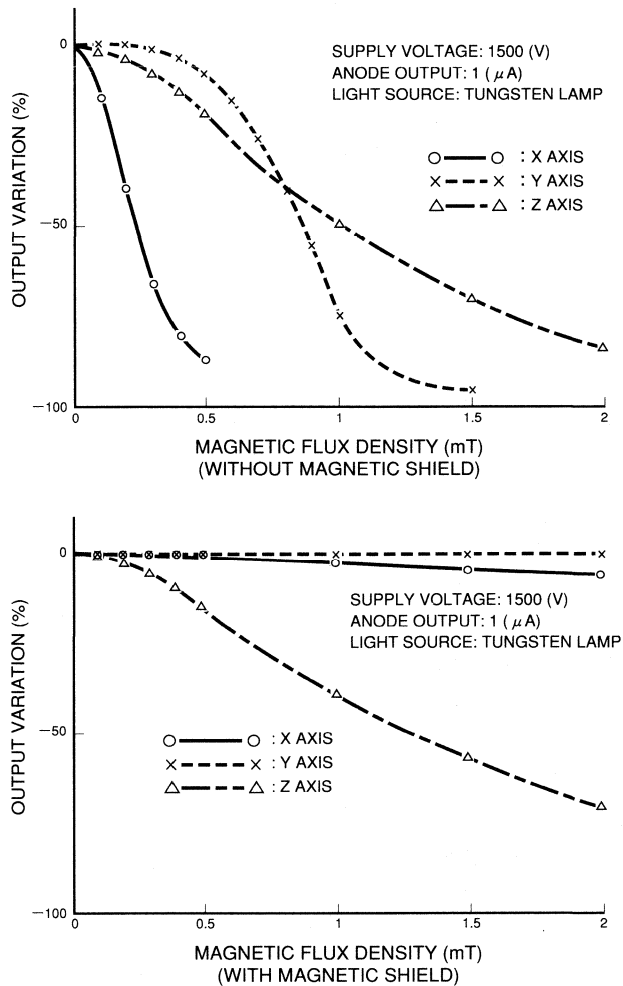
where H_{in} and H_{out} are the magnetic field strength inside and outside the shield case respectively, t is the thickness of the case, r is the radius of the case and μ is the permeability. When two or more magnetic shield cases with different radii are used in combination, the resultant shielding factor S' will be the product of the shielding factor of each case, as expressed in the following equation:

$$S' = S_1 \times S_2 \times S_3 \dots S_n$$

$$= \frac{3t_1\mu_1}{4r_1} \times \frac{3t_2\mu_2}{4r_2} \times \frac{3t_3\mu_3}{4r_3} \times \dots \times \frac{3t_n\mu_n}{4r_n} \dots\dots\dots(\text{Eq. 7-17})$$

When a magnetic shield case is used, the magnetic field strength inside the case H_{in} , which is actually imposed on the photomultiplier tube, is reduced to a level of H_{out}/S . For example, if a magnetic shield case with a shielding factor of 10 is employed for a photomultiplier tube operated in an external magnetic field of 30 milliteslas, this means that the photomultiplier tube is operated in a magnetic field of 3 milliteslas. In practice, the edge effect of the shield case, as will be described later, creates a loss of the shielding effect. But this approach is basically correct.

Figure 7-38 shows the output variations of a photomultiplier tube with and without a magnetic shield case which is made of "PC" materials with a 0.6 millimeter thickness. It is obvious that the shielding is effective for both X and Y axes. For these axes the shielding factor of the magnetic shield case must be equal. However, the Y axis exhibits better magnetic characteristics than the X axis when not using a magnetic shield case, so that the Y axis provides a slightly better performance when used with the magnetic shield case. In the case of the Z axis which is parallel to the tube axis, the photomultiplier tube used with the magnetic shield case shows larger output variations. It is thought that, as described in the section on the edge effect, this is probably due to the direction of the magnetic field which is bent near the edge of the shield case.

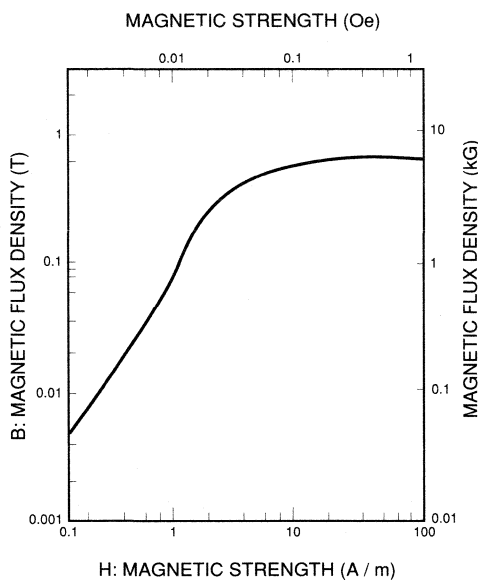


TPMOB0007EA

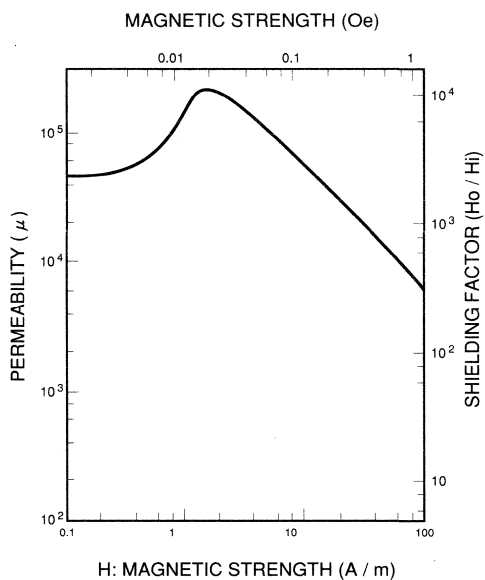
Figure 7-38: Magnetic characteristics of a photomultiplier tube

(2) Saturation characteristics

When plotting a B-H curve which represents the relationship between the external magnetic field strength (H) and the magnetic flux density (B) traveling through a magnetic material, a saturation characteristic is seen as shown in Figure 7-39.



TPMOB0008EA

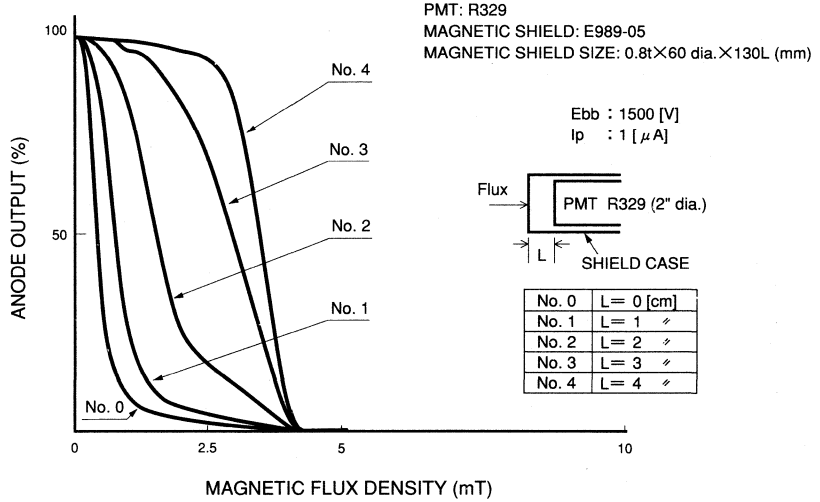


TPMOB0009EA

Figure 7-39: DC magnetization curve (B-H curve) **Figure 7-40: Permeability and external magnetic field**

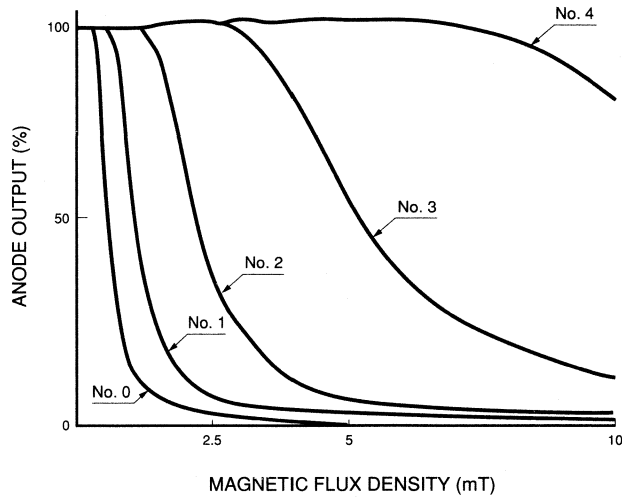
Since the permeability μ of a magnetic material is given by the B/H ratio, μ varies with H as shown in Figure 7-40 with a peak at a certain H level and above it, both μ and the shielding factor degrade sharply. Data shown in Figures 7-39 and 7-40 are measured using a magnetic shield case E989 (0.8 millimeter thick) manufactured by Hamamatsu Photonics when a magnetic field is applied in the direction perpendicular to the shield case axis.

The Hamamatsu E989 series magnetic shield cases are made of a "PC" material which contains large quantities of nickel. This material assures very high permeability, but exhibits a rather low saturation level of magnetic flux density. In a weak magnetic field such as from terrestrial magnetism, the "PC" material provides good shielding factor as high as 10^3 and thus proves effective in shielding out terrestrial magnetism. In contrast, "PB" material which contains small quantities of nickel offers high saturation levels of magnetic flux density, though the permeability is lower than that of the "PC" material. Figure 7-41 shows the anode output variations of a photomultiplier tube used with a magnetic shield case made of "PC" or "PB" material. As the magnetic flux density is increased, the anode output of the photomultiplier tube used with the "PC" material shield case drops sharply while that used with the "PB" material shield case drops slowly. Therefore, in a highly magnetic field, it is necessary to use a "PC" material shield case in conjunction with a shield case made of high-permeability metal such as soft-iron, with a thickness of 3 to 10 millimeters.



(1) PC MATERIAL

MAGNETIC SHIELD SIZE: 2t×55 dia.×80L (mm)



(2) PB MATERIAL

TPMOB0010EA

Figure 7-41: Magnetic characteristics of a photomultiplier tube used with magnetic shield cases

(3) Frequency characteristics

The above description concerning the effect of magnetic shield cases, refers entirely to DC magnetic fields. In AC magnetic fields, the shielding effect of a magnetic shield case decreases with increasing frequency as shown in Figure 7-42. This is particularly noticeable for thick materials, so it will be preferable to use a thin shield case of 0.05 to 0.1 millimeter thickness when a photomultiplier tube is operated in a magnetic field at frequencies from 1kHz to 10kHz. The thickness of a magnetic shield case must be carefully determined to find the optimum compromise between the saturated magnetic flux density and frequency characteristics.

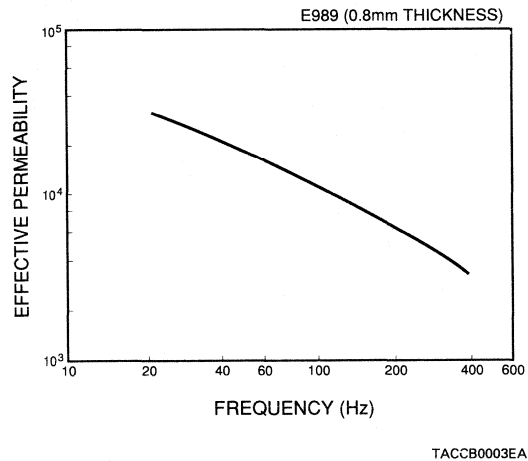


Figure 7-42: Frequency characteristic of a magnetic shield case

(4) Edge effect

The shielding effect given by $3t\mu/4r$ applies to the case in which the magnetic shield case is sufficiently long with respect to the overall length of the photomultiplier tube. Actual magnetic shield cases have a finite length which is typically only several millimeters to several centimeters longer than the photomultiplier tube, and their shielding effects deteriorate near both ends as shown in Figure 7-43. Since the photocathode to the first dynode region is most affected by a magnetic field, this region must be carefully shielded. For example, in the case of a head-on photomultiplier tube, the tube should be positioned deep inside the magnetic shield case so that the photocathode surface is hidden from the shield case edge by a length equal to the shield case radius.

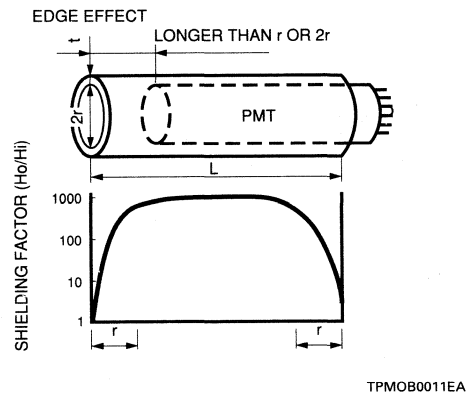
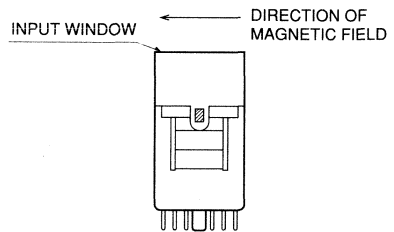
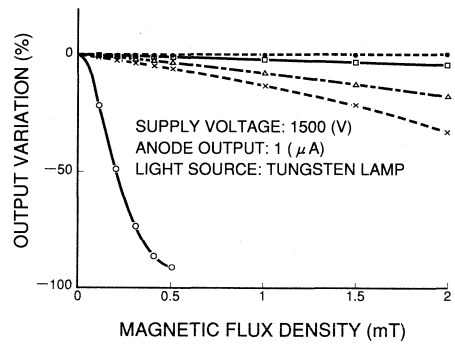
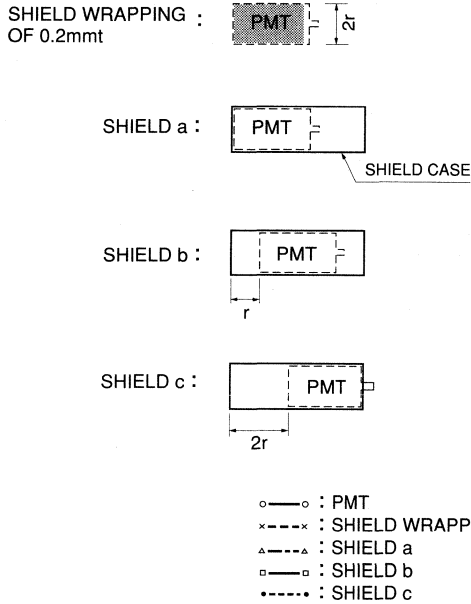


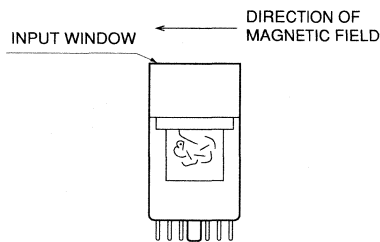
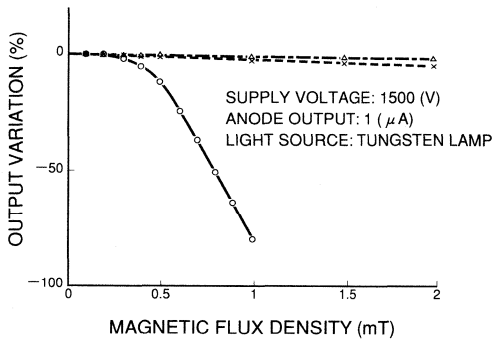
Figure 7-43: Edge effect of a magnetic shield case

Figure 7-44 shows the output variations of a head-on photomultiplier tube operated in magnetic fields in the respective directions of X, Y and Z axes. Also shown in this figure are the output variations measured using a magnetic shield wrapping and a magnetic shield case while moving the photomultiplier tube along the shield case axis at positions a, b and c. When used with the magnetic shield case, in either axis of the magnetic field, the longer the distance from the edge of the shield case to the photocathode, the more the output variations improve. For the Y axis, however, since the photomultiplier tube originally exhibits better magnetic characteristics, no output variations occur, as seen from (2), up to 3 milliteslas even if the photocathode is positioned near the edge of the magnetic shield case. For the Z axis, on the other hand, if the photocathode is positioned at the open edge of the magnetic shield case, the output variations are increased. This is often larger than the case even without using a magnetic shield case, as shown in (3). The reason for this is thought to be that the magnetic field applied along the shield case axis is bent near the

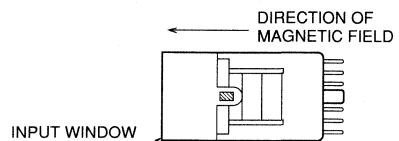
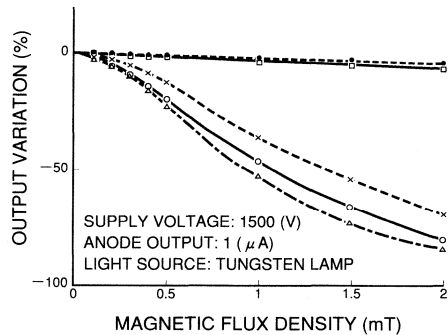
open edge, and this bent magnetic field adversely affects the photoelectron collection efficiency from the photocathode to the first dynode. In addition, as shown in (1), the photomultiplier tube output is significantly affected by the magnetic field along the X axis. Therefore, even if the magnetic field along the Z axis is reduced, the resultant magnetic field which is generated along the X axis can cause output variations. This problem will be solved by positioning the photomultiplier tube deeper than the open edge of the magnetic shield case.



(1) X AXIS



(2) Y AXIS



(3) Z AXIS

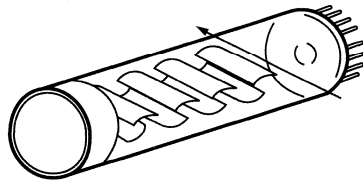
Figure 7-44: Magnetic characteristics of a head-on photomultiplier tube

(5) Photomultiplier tube magnetic characteristics and shielding effect

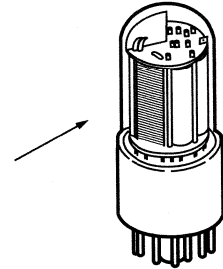
Figures 7-45 (a) to (e) show magnetic characteristics of typical photomultiplier tubes (anode output variations versus magnetic flux density characteristics) and the shielding effects⁷⁾ of magnetic shield cases (Hamamatsu E989 series). It can be seen from these figures that use of a shield case can greatly reduce the influence of magnetic fields of less than one hundred milliteslas.

DIRECTION OF MAGNETIC FIELD

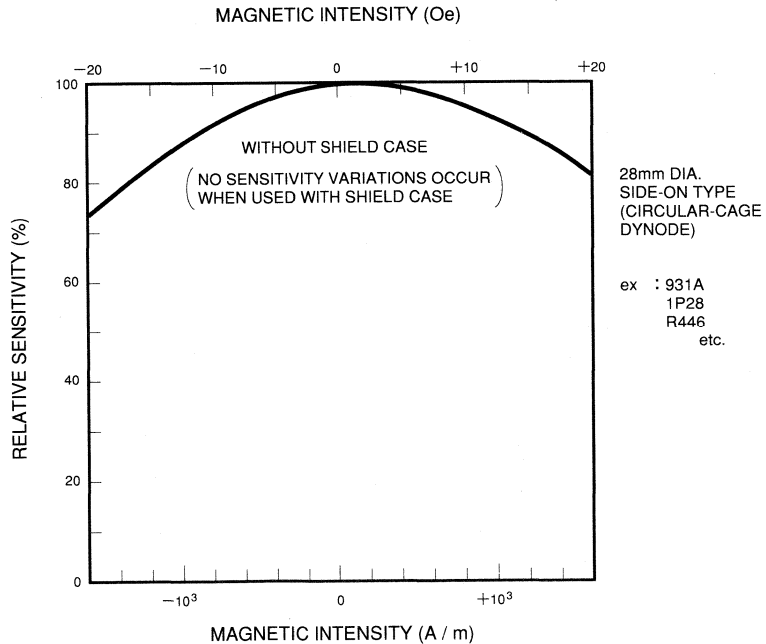
a) HEAD-ON TYPE

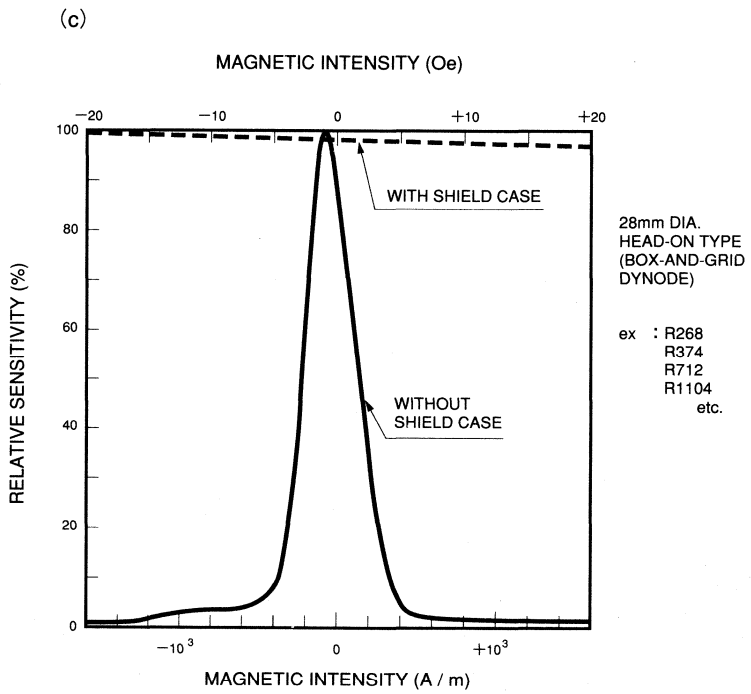
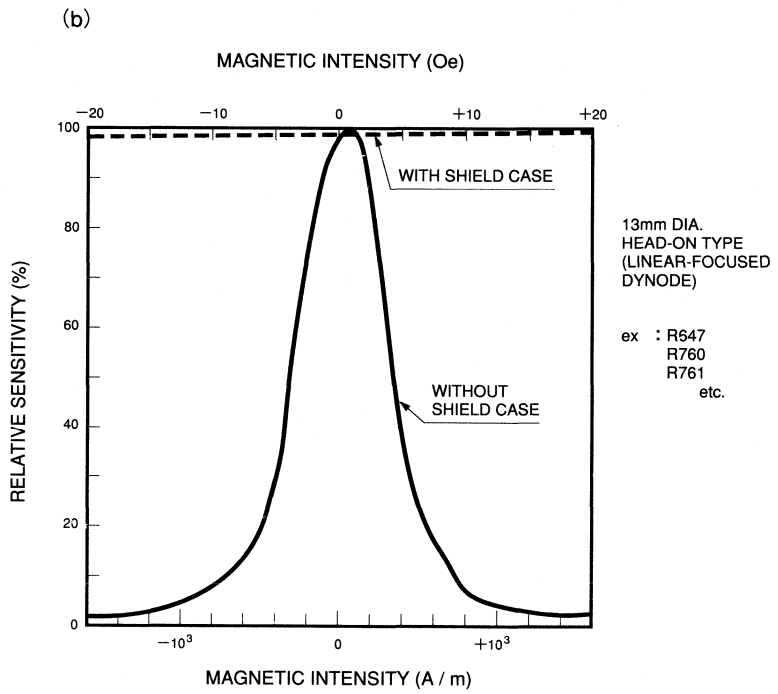


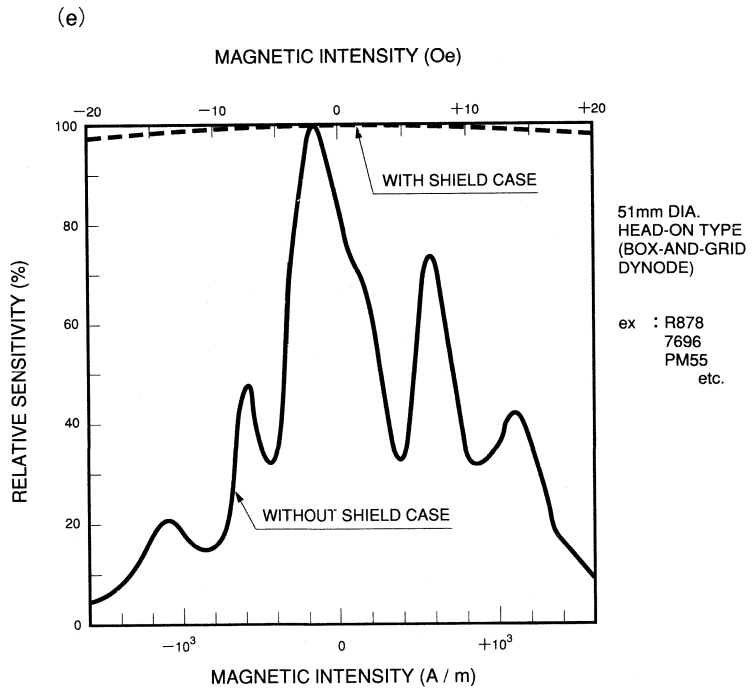
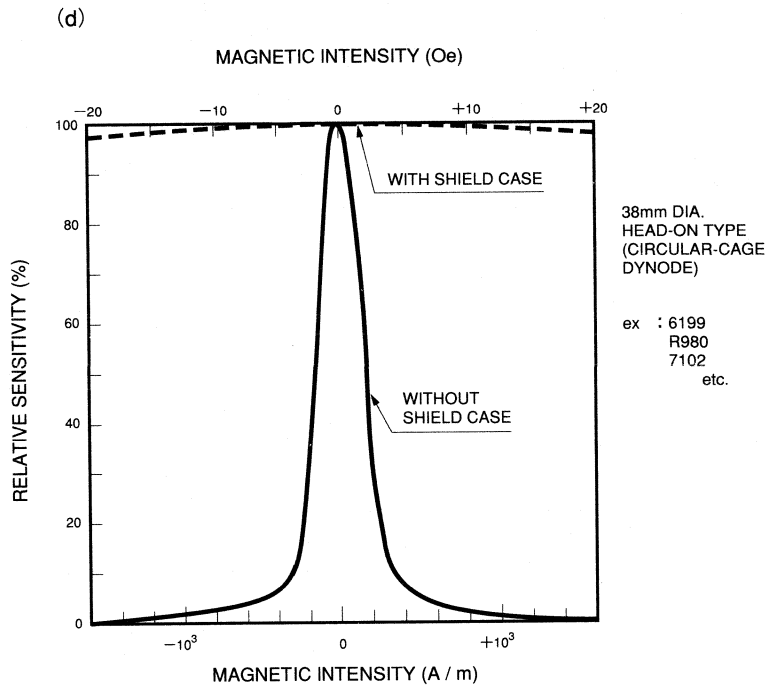
b) SIDE-ON TYPE



(a)







TACCB0004EA

Figure 7-45: Effects of magnetic shield cases

(6) Handling the magnetic shield case

Magnetic shield cases are subject to deterioration in performance due to mechanical shock and deformation therefore sufficient care must be exercised during handling. Once the performance has deteriorated, a special annealing process is required to effect a recovery. In particular, since the permeability characteristics are more susceptible to external shock and stress, avoid any alteration, for example such as drilling and machining the shield case.

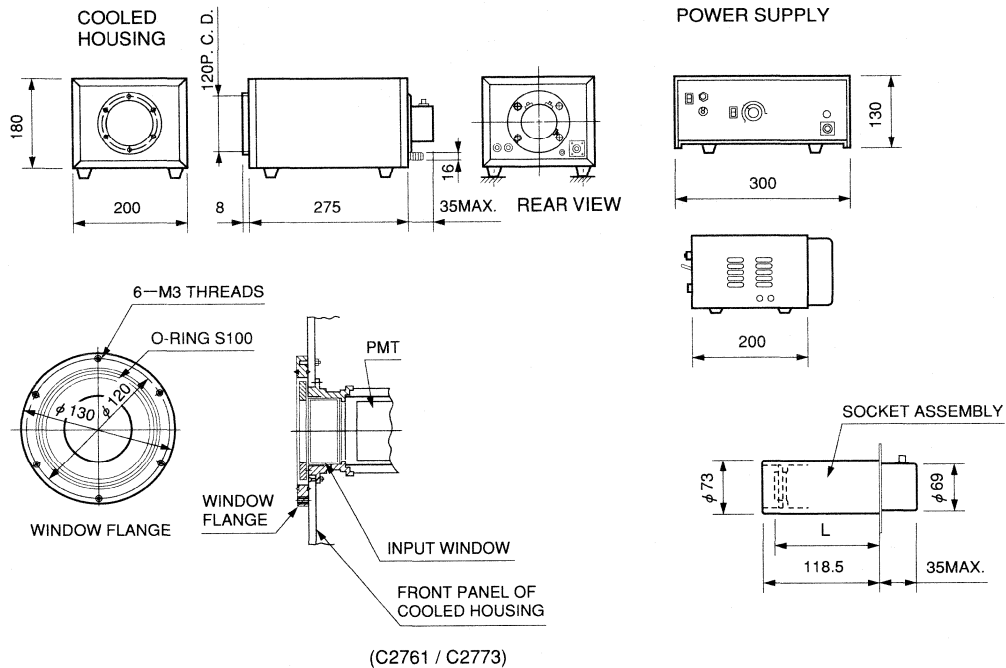
As stated in Chapter 3, if any object at ground potential is brought close to the bulb of a photomultiplier tube, the photomultiplier tube noise increases considerably. Therefore, it is advisable to use a magnetic shield case larger than the photomultiplier tube diameter. In this case, positioning the photomultiplier tube in the center of the shield case is important, otherwise an electrical problem may occur. Foam rubber or similar materials with good buffering and insulating properties can be used to hold the photomultiplier tube in the shield case.

It is recommended for safety and also for noise suppression measures that the magnetic shield case be grounded via a resistor of 5 to 10 megohms, although this is not mandatory when a HA-coating photomultiplier tube or a photomultiplier tube with the cathode at ground potential and the anode at a positive high voltage is used. In this case, sufficient care must be taken with regards to the insulation of the magnetic shield case.

7.5 Cooling

As described in Section 3.6 of Chapter 3, thermionic emission of electrons is a major cause of dark current. It is especially predominant when the photomultiplier tube is operated in a normal supply voltage range. Because of this, cooling the photomultiplier tube can effectively reduce the dark current and the resulting noise pulses, thus improving the signal-to-noise ratio and enhancing the lower detection limit. However, the following precautions are required for cooling a photomultiplier tube.

Photomultiplier tube cooling is usually performed in the range from 0°C to -30°C according to the temperature characteristic of the dark current. When a photomultiplier tube is cooled to such a temperature level, moisture condensation may occur at the input window, bulb stem or bleeder circuit. This condensation may cause a loss of light at the input window and an increase in the leakage current at the bulb stem or bleeder circuit. To prevent this condensation, circulating dry nitrogen gas is recommended, but the equipment configuration or application often limits the use of liquid nitrogen gas. For efficient cooling, Hamamatsu provides thermoelectric coolers having an evacuated double-pane quartz window with a defogger and also air-tight socket assemblies⁸⁾. An example of thermoelectric coolers is shown in Figure 7-46, along with a suitable socket assembly.

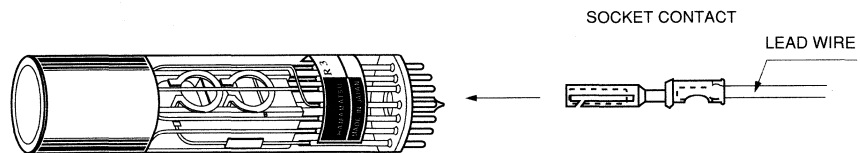


TACCA0018EA

Figure 7-46: Thermoelectric cooler (manufactured by Hamamatsu Photonics)

The cooler shown in Figure 7-46 is identical with the Hamamatsu C2761 and C2773 coolers. The C2762 is designed for 2-inch or 1.5-inch diameter head-on photomultiplier tubes, while the C2773 is for MCP-PMTs. Either model can be cooled down to -30°C by thermoelectric cooling.

If a socket made by other manufacturers is used with a Hamamatsu photomultiplier tube, the bulb stem of the photomultiplier tube may possibly crack during cooling. This is due to the difference in the thermal expansion coefficient between the socket and the bulb stem. Be sure to use the mating socket available from Hamamatsu. Stem cracks may also occur from other causes, for example, a distortion of the stem. When the bulb stem is to be cooled below -50°C , the socket should not be used, instead, the lead pins of the photomultiplier tube should be directly connected to wiring leads. To facilitate this, use of socket contacts, as illustrated in Figure 7-47, will prove helpful. (The socket contact shown in the figure is Winchester 100-2520S.)



TPMOC0011EA

Figure 7-47: Connecting the lead pins to socket contacts

Thermionic electrons are emitted not only from the photocathode but also from the dynodes. Of these, thermionic emissions that actually affect the dark current are those from the photocathode, Dy_1 and Dy_2 , because the latter-stage dynodes contribute less to the current amplification. Therefore cooling the photocathode, Dy_1 , and Dy_2 proves effective in reducing dark current and besides, this is advantageous in view of possible leakage currents which may occur due to moisture condensation on the bulb stem, base or socket.

The interior of a photomultiplier tube is a vacuum and thus heat is conducted through it very slowly.

Therefore, it is recommended that the photomultiplier tube be left for one hour or longer after the ambient temperature has reached a constant level, so that the dark current and noise pulses will become constant. Another point to be observed is that, since heat generated from the bleeder resistors may heat the dynodes, the bleeder resistor values should not be made any smaller than necessary.

References in Chapter 7

- 1) Hamamatsu Photonics Catalog: Accessories for Photomultiplier Tubes.
- 2) McGRAW-HILL: Electronic Circuits Discrete and Integrated, International Student Edition.
- 3) Ref. to "Kerns-type PM base" Produced by R.L. McCarthy.
- 4) Hamamatsu Photonics Catalog: Accessories for Photomultiplier Tubes.
- 5) Hamamatsu Photonics Technical Information: Photomultiplier Tubes for Use in Scintillation Counting.
- 6) Hamamatsu Photonics Catalog: Accessories for Photomultiplier Tubes.
Ref. to "Improvement of 20-inch diameter photomultiplier tubes" published by A. Suzuki (KEK, Tsukuba) and others.
- 7) Hamamatsu Photonics Catalog: Accessories for Photomultiplier Tubes.
- 8) Hamamatsu Photonics Catalog: Accessories for Photomultiplier Tubes.

CHAPTER 8

ENVIRONMENTAL RESISTANCE AND RELIABILITY

Photomultiplier tube characteristics, for example, sensitivity and dark current, are susceptible to environmental conditions such as ambient temperature, humidity and magnetic fields¹⁾. To obtain the fullest capabilities from a photomultiplier tube, it is necessary to know how environmental conditions affect the photomultiplier tube and to take corrective action. This chapter discusses these points and also describes operating stability over time and reliability.

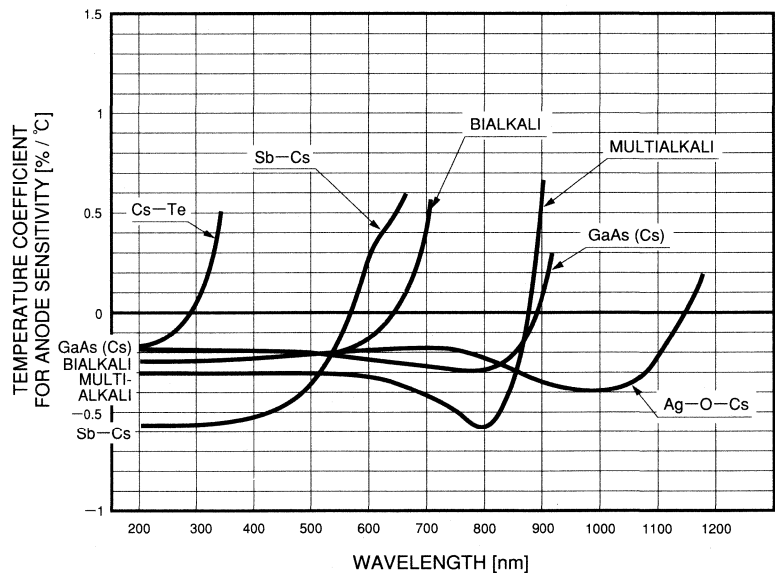
8. 1 Effects of Ambient Temperature

8. 1. 1 Temperature characteristics

The photomultiplier tube is more susceptible to ambient temperature than electronic components (such as resistors and capacitors). In precision measurement therefore, the photomultiplier tube must be operated with temperature control or comparative photometric techniques so that the effects of ambient temperature are minimized. When performing temperature control, it should be noted that the interior of a photomultiplier tube is a vacuum and thereby heat is conducted through it very slowly. The photomultiplier tube should be left for one hour or longer until the photomultiplier tube reaches the same level as the ambient temperature and its characteristics become stable.

(1) Sensitivity

Temperature characteristics of anode sensitivity can be divided into those for cathode sensitivity (photocathode) and current amplification (dynode). Temperature characteristics for cathode sensitivity are dependent on the wavelength. In general, near the long wavelength limit, the temperature coefficient of cathode sensitivity varies significantly from a negative value to a positive value. In contrast, current amplification has virtually no dependence on wavelength or on supply voltage. Figure 8-1 shows temperature coefficients of major photomultiplier tubes as a function of wavelength, with the abscissa representing wavelength and the ordinate expressing temperature coefficients of anode sensitivity.



TPMOB0013EA

Figure 8-1: Photocathode types and temperature coefficients

When a photomultiplier tube with a transmission mode photocathode is used at very low temperatures, the subsequent increase in the photocathode surface resistance may cause a cathode current saturation effect, resulting in a loss of output linearity with respect to the incident light level. This effect appears drastically with certain types of bialkali photocathodes and thus care is required when using such photomultiplier tubes.

Typical cathode saturation currents for bialkali and multi-alkali photocathodes are shown in Figure 8-2.

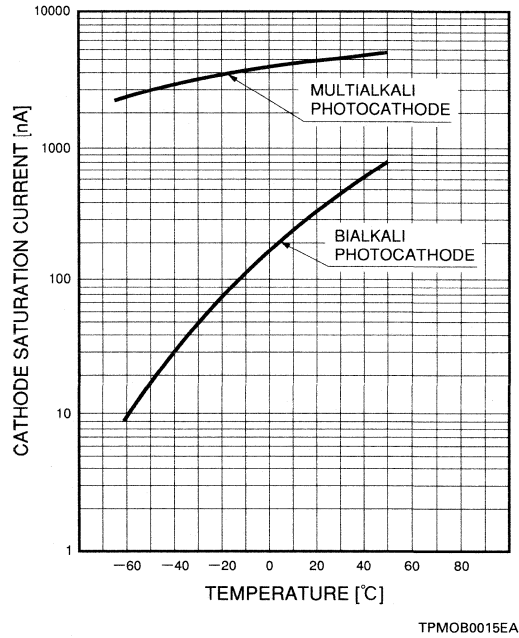


Figure 8-2: Cathode saturation current vs. temperature

(2) **Dark current**

A photocathode consists of materials having small energy gap and electron affinity so that photoelectrons can be released efficiently. This means that dark current is very sensitive to the ambient temperature. It greatly increases with temperature as shown in Figure 8-3. In low-light-level detection, this effect of the ambient temperature on the dark current is an important factor to consider.

Cooling a photomultiplier tube is most effective in reducing the dark current and improving the signal-to-noise ratio, especially for photomultiplier tubes with high sensitivity in the red to near infrared region. Conversely, using a photomultiplier tube at a high temperature invites signal-to-noise ratio deterioration. If a photomultiplier tube must be operated

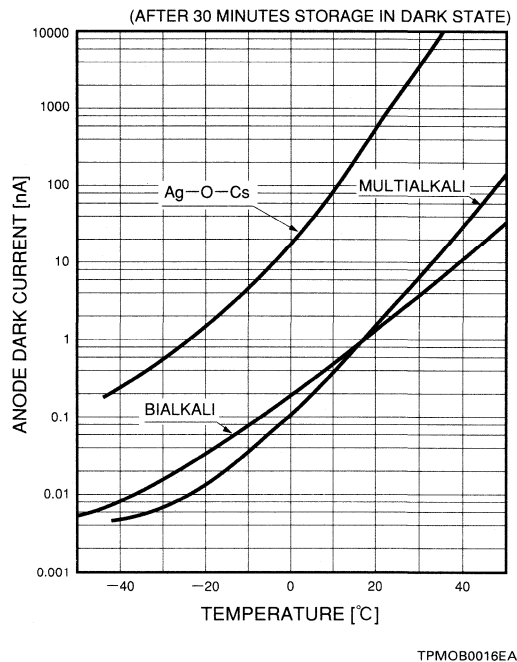


Figure 8-3: Temperature characteristics of anode dark current

at a high temperature, use of a special photocathode (Sb-Na-K) is recommended. Figure 8-3 shows dark current versus temperature characteristics of photomultiplier tubes having major photocathodes.

8. 1. 2 Storage temperature

Photomultiplier tube sensitivity varies somewhat during storage, even at room temperatures. This is probably due to the movement of alkali elements activating the photocathode and dynode surfaces. If a photomultiplier tube is left at a high temperature, this sensitivity variation will be accelerated. It is therefore recommended that the photomultiplier tube be stored at or below room temperatures.

Photomultiplier tubes using a photocathode with high sensitivity in the red to near infrared range such as multialkali, GaAs(Cs), InGaAs and Ag-O-Cs are frequently cooled during operation to take advantage of the temperature dependence of the dark current, as shown in Figure 8-3,. When cooling, the following precautions should be observed, otherwise the difference in thermal expansion coefficient between the photomultiplier tube bulb, socket and adhesive (epoxy resin) may cause bulb rupture.

- Avoid using a photomultiplier tube with a plastic base when cooling to -30°C or below.
- Avoid using a socket at a temperature of -50°C or below. Use contact pins instead.
- When assembling bleeder resistors into a socket, insert a dummy tube into the socket.
- Avoid direct soldering of resistors onto a socket. Assemble a bleeder circuit on a PC board and connect it to the socket using thin, soft wires.
- Avoid subjecting a photomultiplier tube to drastic temperature changes.

8. 2 Effects of Humidity

8. 2. 1 Operating humidity

Since the photomultiplier tube is operated at high voltages and handles very low current in the order of micro to picoamperes, leakage current between the lead pins may create a significant problem. This leakage current sometimes increases by several orders of magnitude due to a rise in the ambient humidity. It is advisable that the photomultiplier tube be operated at a humidity below 60 percent.

8. 2. 2 Storage humidity

If a photomultiplier tube is left at a high humidity for a long period of time, the following problems may occur: an increase in the leakage current on the bulb stem surface, contact failure due to rust formed on the lead pin surface and, for UV glass, a loss of transmittance. Therefore, the photomultiplier tube must be stored in locations of low humidity. In addition, since dirt on the photomultiplier tube surface may be a cause of increased leakage current and rust formation on the leads, avoid touching the bulb stem, lead pins and especially around the anode pin of a plastic base with bare hands. These portions must be kept clean but, if they become contaminated, use anhydrous alcohol for cleaning.

8. 3 Effects of External Magnetic Fields

8. 3. 1 Magnetic characteristics²⁾

In photomultiplier tube operation, because low-energy electrons travel along a long path in a vacuum, their trajectories are affected by even a slight magnetic field such as terrestrial magnetism, causing an anode sensitivity variation.

A prime reason for this sensitivity variation is that the electron trajectories influenced by the magnetic fields cannot precisely focus the photoelectrons onto the first dynode. This means that photomultiplier tubes having a long distance between the photocathode and the first dynode or a small first-dynode opening in comparison with the photocathode area are more vulnerable to effects of a magnetic field.

For most head-on photomultiplier tubes, the anode sensitivity will be reduced by as much as 50 percent by a magnetic flux density of below one to several milliteslas. The sensitivity is most vulnerable to a magnetic flux in the direction parallel to the photocathode surface (X axis). Side-on photomultiplier tubes exhibit less sensitivity variations since the distance from the photocathode to the first dynode is short. The magnetic flux density at which the anode sensitivity reduces 50 percent is approximately 3.5 milliteslas for 1-1/8 inch types. Figure 8-4 shows the effects of magnetic fields on typical photomultiplier tubes³⁾. Note that the higher the supply voltage to a photomultiplier tube, the less the effects of magnetic fields.

As can be seen from Figure 8-4, photomultiplier tubes are susceptible to magnetic fields. It is advisable that the photomultiplier tube be used in locations where no magnetic source is present. In particular, avoid using the photomultiplier tube near such devices as transformers and magnets. If the photomultiplier tube must be operated in a magnetic field, be sure to use a magnetic shield case. Refer to Section 7.4 of Chapter 7 for more details and specific usage of magnetic shield cases.

8. 3. 2 Photomultiplier tubes for use in highly magnetic fields

As stated previously, normal photomultiplier tubes exhibit a large variation in a magnetic field, for example, sensitivity reduces at least one order of magnitude in a magnetic field of 10 milliteslas. In high-energy physics applications, however, photomultiplier tubes capable of operating in a magnetic field of more than one tesla are demanded. To meet these demands, special photomultiplier tubes with fine-mesh dynodes have been developed and put into use. These photomultiplier tubes include a "triode" type using a single stage dynode, a "tetrode" type using a two-stage dynode and a high-gain type using multiple dynode stages (8 to 16 stages)⁴⁾. The structure of this photomultiplier tube is illustrated in Figure 8-5, and current amplification characteristics as a function of magnetic fields perpendicular to the photocathode (tube axis) are shown in Figure 8-6.

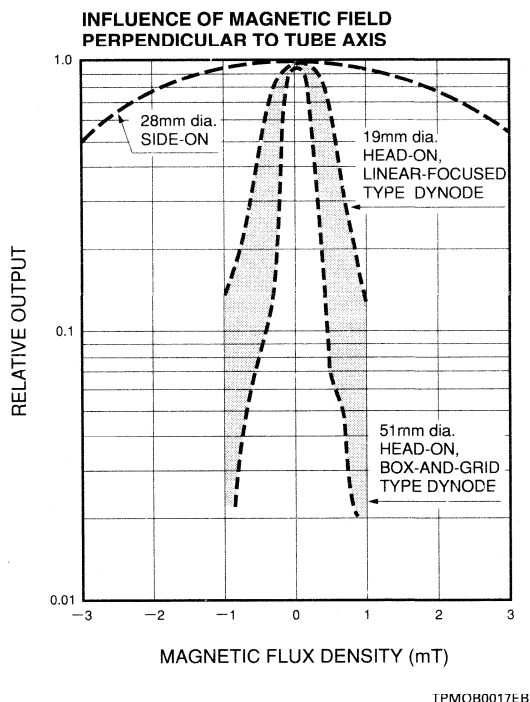


Figure 8-4: Magnetic characteristics of typical photomultiplier tubes

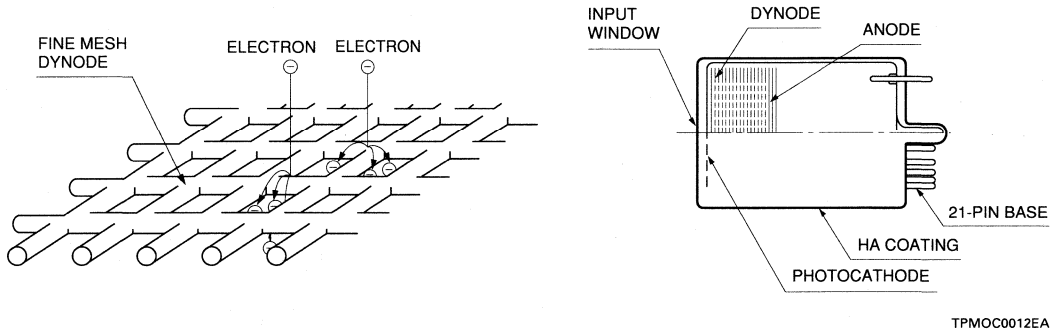


Figure 8-5: Structure of a photomultiplier tube designed for use in highly magnetic fields

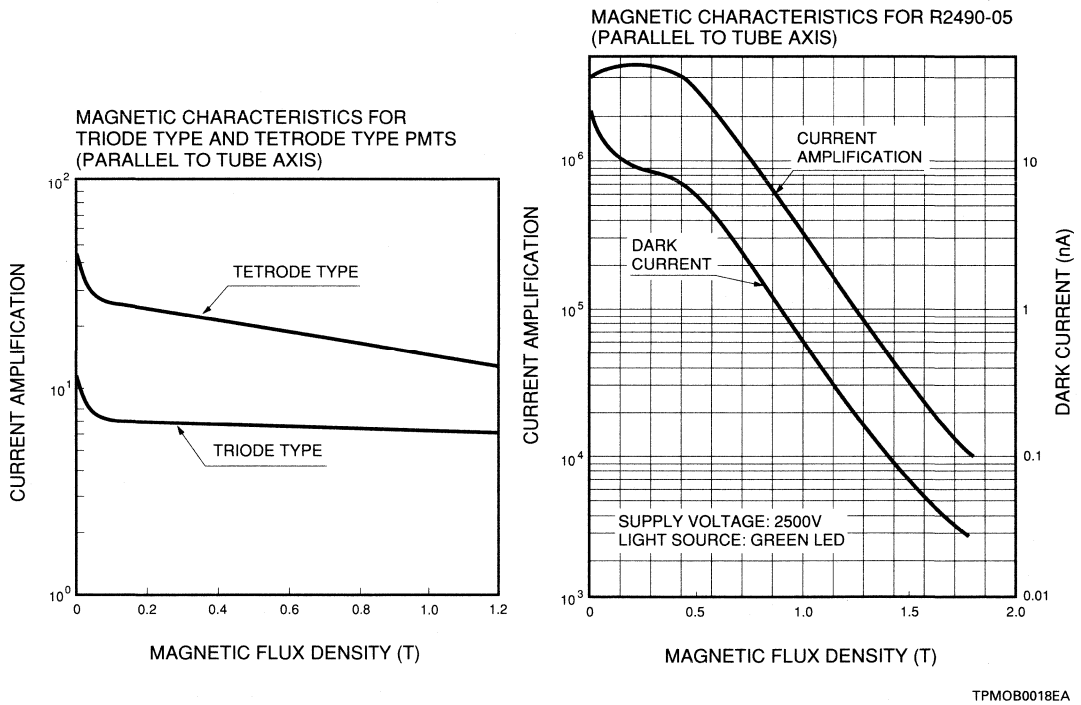


Figure 8-6: Magnetic characteristics of photomultiplier tubes for highly magnetic fields

8. 3. 3 Magnetization

The dynode substrate is commonly made from nickel with magnetic properties, and the photomultiplier tube leads and electrodes are also made from similar metals which can be magnetized. There will be no problem as long as the photomultiplier tube is operated in a weak magnetic field such as from terrestrial magnetism. If the magnetic field strength increases and exceeds the initial permeability of the dynode substrate and electrode materials, they will remain magnetized even after the magnetic field has been removed (residual magnetism). Thus the current amplification after the magnetic field has once been applied will differ from that before the magnetic field is applied. If magnetized, they can be demagnetized by applying an AC magnetic field to the photomultiplier tube and gradually attenuating it.

8.3.4 Photomultiplier tubes made of nonmagnetic materials

In applications where a photomultiplier tube must be used in a highly magnetic field or magnetization of the tube is unwanted, photomultiplier tubes made of nonmagnetic materials are sometimes required. Hamamatsu Photonics offers photomultiplier tubes assembled using nonmagnetic materials for the dynode substrate. However, the stem pins and hermetically-sealed portions still must be made from magnetic materials. Fortunately, stems made of a nonmagnetic material has been developed recently for use in special applications. It will soon become possible to manufacture a whole photomultiplier tube with nonmagnetic materials.

8.4 Vibration and Shock

Resistance to vibration and shock can be categorized into two conditions: one is under non-operating conditions, for example, during transportation or storage and the other is under conditions when the tube is actually installed and operated in equipment. Except for special tubes designed for such applications as rocket-borne space research and geological surveys, photomultiplier tubes should not be exposed to vibration and shock during operation.

8.4.1 Resistance to vibration and shock during non-operation

Most photomultiplier tubes are designed to withstand several G of vibration and several hundred G of shock. However, if excessive vibration and shock are applied to a photomultiplier tube, its characteristics may vary and the bulb envelope may break.

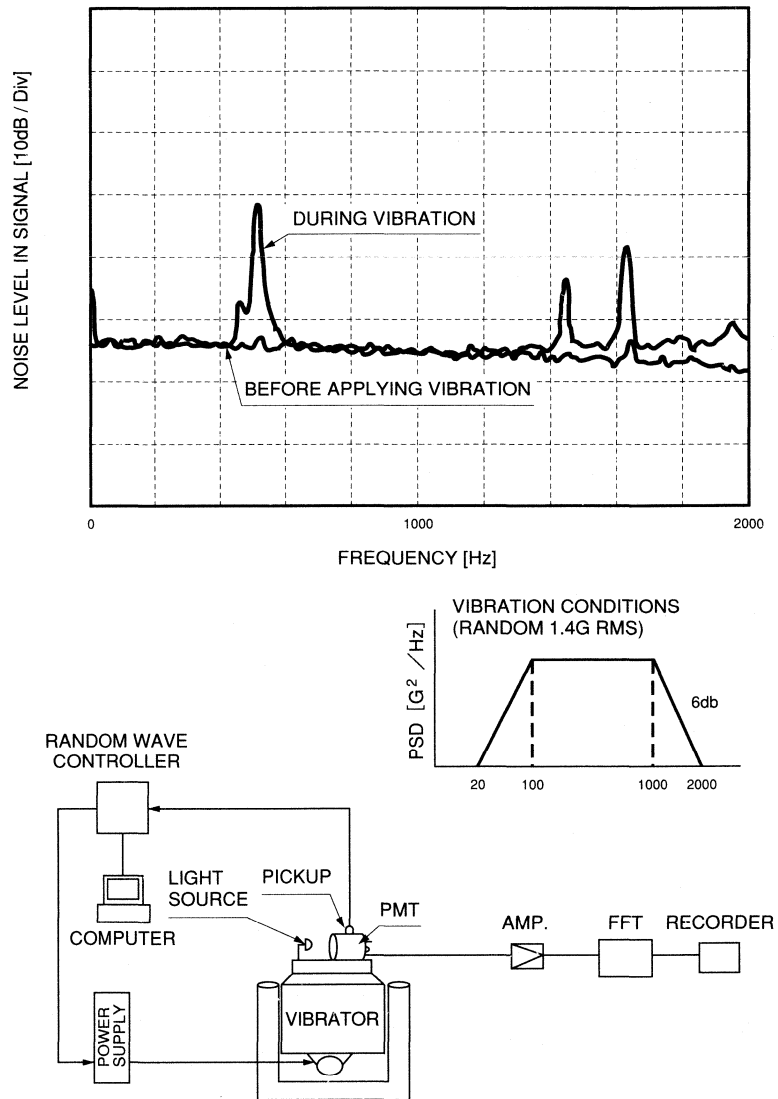
In general, photomultiplier tubes with a smaller size, lighter weight and shorter overall length exhibit better resistance to vibration and shock. Even so, sufficient care must be exercised when handling. The following table shows the maximum vibration and shock values which photomultiplier tubes can withstand.

PMT Type	Maximum Vibration	Maximum Shock
1/2 inch side-on	15G (10 to 2000Hz)	200G (6ms)
1-1/8 inch side-on	10G (10 to 500Hz)	100G (11ms)
1/2 inch head-on	10G (10 to 500Hz)	100G (11ms)
1-1/8 inch head-on	5G (10 to 500Hz)	100G (11ms)
2 inch head-on type	5G (10 to 500Hz)	75G (11ms)
3 inch head-on type	5G (10 to 500Hz)	75G (11ms)

The photomultiplier tube envelope is made of glass, so it is vulnerable to direct mechanical shock. Envelopes with silica windows are especially vulnerable to shock on the bulb side because of a graded glass seal. Sufficient care must be taken in handling this type of tube. Furthermore, photomultiplier tubes designed for liquid scintillation counting use a very thin faceplate of 0.5 millimeters thick. Some of them may be broken even by a slight shock. Furthermore, since the photomultiplier tube is a vacuum tube, if the envelope is broken, implosion may cause it to fly apart in fragments. Thus care is required, especially in handling a large diameter tube of more than 8 inches.

8. 4. 2 Resistance to vibration and shock during operation (resonance)

The photomultiplier tube is not normally designed to receive vibration and shocks during operation, except for specially-designed ruggedized tubes. If a photomultiplier tube suffers vibration or shocks during operation, problems such as variations of the signal level and an increase in the microphonic noise may occur. Attention should be given to the mounting method and arrangement of the tube. Moreover, the photomultiplier tube may have a resonance at a certain frequency, but this resonant frequency differs from tube to tube. If vibration is increased at this resonance, the above problems will be more noticeable, leading to the breakage of the envelope. Figure 8-7 shows the variations in the frequency spectrum of photomultiplier tube output subjected to vibration, along with the measurement block diagram.



TPMOB0019EA

Figure 8-7: Resonance noise of photomultiplier tube output subjected to vibration

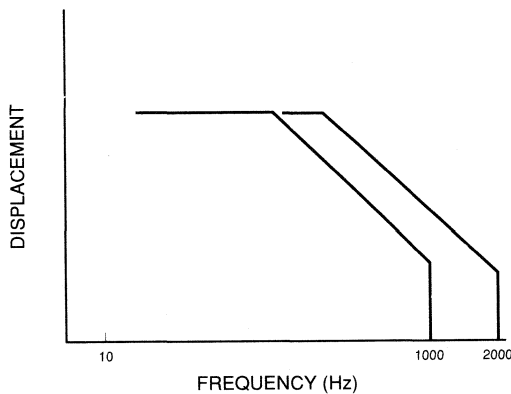
In this experiment, the photomultiplier tube is subjected to random vibration (1.4G RMS) from 20Hz to 2000Hz and its output signal is frequency-analyzed using a FFT (fast fourier transform). It is obvious from Figure 8-7 that the noise sharply increases at frequencies near 0.5Hz, 1.45Hz and 1.6kHz.

When measurement is made at extremely low light levels, even a slight vibration caused by the table on which the equipment is placed may be a source of noise. Precautions should be taken to ensure the equipment is installed securely and also the cable length to the preamplifier should be checked.

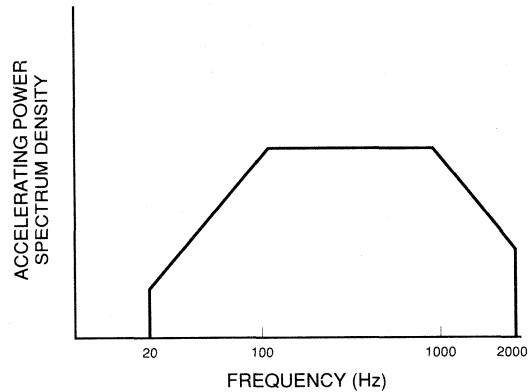
8. 4. 3 Testing methods and conditions

There are two vibration test methods⁵⁾: sinusoidal-wave and random-wave application tests. The sinusoidal wave used for vibration tests is determined by the frequency range, displacement (amplitude), acceleration, vibration duration and sweep time. The frequency sweep method commonly employed is a logarithmic sweep method. The random wave is determined by the acceleration, power spectrum density (G^2/Hz), and the vibration duration, and is expressed in terms of the RMS value. This method allows tests to be performed under the conditions close to the actual environment. In Figure 8-8 (A) and (B), vibration waveform examples created by sinusoidal wave and random wave are shown.

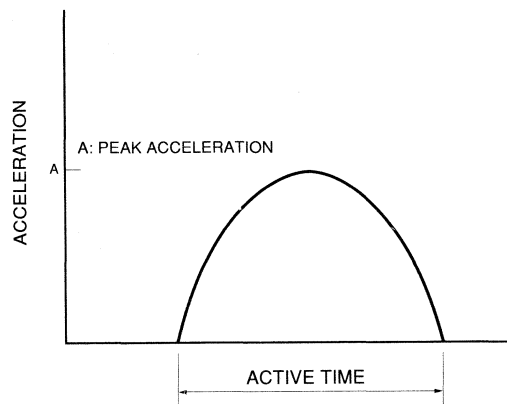
(A) SINE WAVE VIBRATION CURVE



(B) RANDOM WAVE VIBRATION CURVE



(C) SHOCK CURVE (HALF SINE WAVE CURVE)



TPMOB0020EA

Figure 8-8: Vibration and shock curves

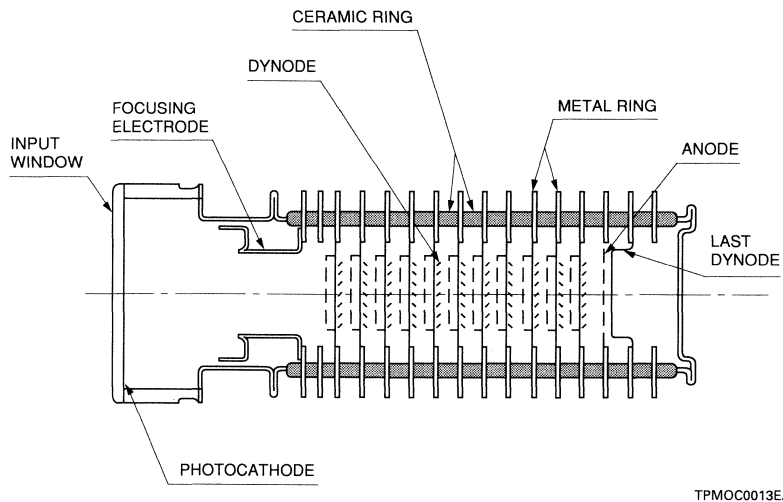
Various methods are used in shock tests such as half-wave sinusoidal pulses, sawtooth wave pulses, and trapezoidal wave pulses. Hamamatsu Photonics performs shock tests using half-wave sinusoidal pulses. The test conditions are determined by the peak acceleration, shock duration, and the number of shocks applied. A

typical shock-application curve is shown in Figure 8-8 (C).

Official standards for vibration and shock test methods include IEC Pub. 68, JIS-C0040 (vibration), JIS-C0041 (shock), MIL STD-810D and MIL STD-202F⁶⁾. Hamamatsu Photonics performs the vibration and shock tests in conformance to these official standards. The above data for vibration and shock tests were measured under these official conditions. For instance, the shock tests were carried out along three orthogonal axes for a shock duration period of 11 milliseconds, three times each in the plus and minus directions, and thus shocks were applied a total of 18 times. Accordingly, even if the test proves that a photomultiplier tube withstands a shock of 100G, this does not mean that it will survive such shocks dozens or hundreds of times.

8.4.4 Ruggedized photomultiplier tubes⁷⁾

In geological surveys such as oil well logging or in space research in which photomultiplier tubes are launched in a rocket, extremely high resistance to vibration and shock is required⁸⁾. To meet these applications, ruggedized photomultiplier tubes have been developed, which can operate reliably during periods of 20G to 50G vibration and 100G to 1000G shock. A variety of ruggedized types are available ranging in diameter from 1/2 to 2 inches and are also available with different dynode structures. Most ruggedized photomultiplier tubes have been devised based on conventional glass-envelope photomultiplier tubes by improving their electrode supports, lead pins and dynode structure so that they will withstand severe shock and vibration. These ruggedized photomultiplier tubes with a diameter of 2 inches or less can withstand vibrations up to 20G. If even higher performance is required, specially-designed ruggedized photomultiplier tubes having a stacked ceramic bulb are used. Figure 8-9 shows the cross section of this type of ruggedized photomultiplier tube.



TPMOC0013EA

Figure 8-9: Cross section of a ruggedized photomultiplier tube using a stacked ceramic bulb

As illustrated in Figure 8-9, each dynode electrode of this ruggedized photomultiplier tube is securely welded to a ceramic ring. This structure resists electrical discontinuity, contact failure and envelope rupture even under severe vibration and shock. This is because the dynodes resist deformation and peeling. No lead wires, ceramic spacers or cathode contacts are required, and few fragile glass parts need to be used. The bleeder resistors can be soldered on the outside of the metal rings which are fused to the ceramic rings, assuring high ruggedness even after the bleeder circuit has been assembled on the tube. The typical maximum vibration and shock for a stacked-ceramic photomultiplier tube using a high-temperature bialkali photocathode and a 12-stage dynode multiplier is as follows:

Resistance to vibration	50G (50 to 2000Hz)
Resistance to shock	1000G (0.5ms)

8. 5 Effects of Helium Gas

It is well known that helium gas permeates through glass⁹⁾. The extent of helium permeation through glass depends on the glass materials, their composition and ambient temperature. Photomultiplier tubes designed for UV light detection usually employ silica glass for the input window. Helium gas permeates through silica glass more than through other window materials. So if such a photomultiplier tube is stored or operated in environments where helium gas is present, a gas increase occurs inside the tube, leading to an increase in dark current and promoting a degradation of the breakdown voltage level. This eventually results in breakdown and end of the tube service life. For example, if a photomultiplier tube with a silica bulb is placed in helium gas at one atmosphere, a drastic increase of afterpulse due to helium gas will be seen in about 30 minutes, thus making the tube unusable. Thus this must be avoided. To reduce the effects of helium gas, it is best to store the tube in helium-free environments such as argon gas and nitrogen gas.

Helium gas exists on the earth at a partial pressure of about 0.5 pascals. As stated above, the permeability of helium through silica glass is extremely high, as much as $10^{-19} \text{ cm}^2/\text{s}$ (at a pressure difference of 1.013×10^5 pascals) at room temperatures. Because of this, the helium pressure inside the photomultiplier tube gradually increases and finally reaches a level close to the helium partial-pressure in the atmosphere. The time needed to reach that level depends on the surface area and thickness of the silica glass. For instance, if a side-on photomultiplier tube (1-1/8 inch diameter type) with a silica bulb is left in the atmosphere, the helium partial-pressure inside the tube will increase to 9×10^{-2} pascals after one year. (Refer to Figure 8-10.) In practice however, if the helium partial-pressure inside the tube increases to a level equal to the helium partial-pressure in the atmosphere, no significant problem will immediately occur and the tube is still usable.

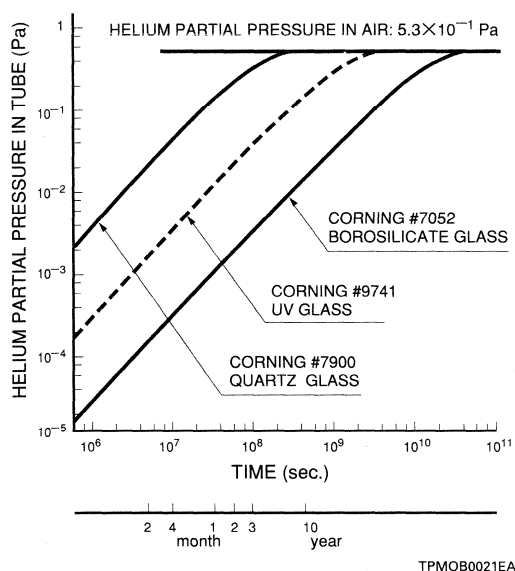


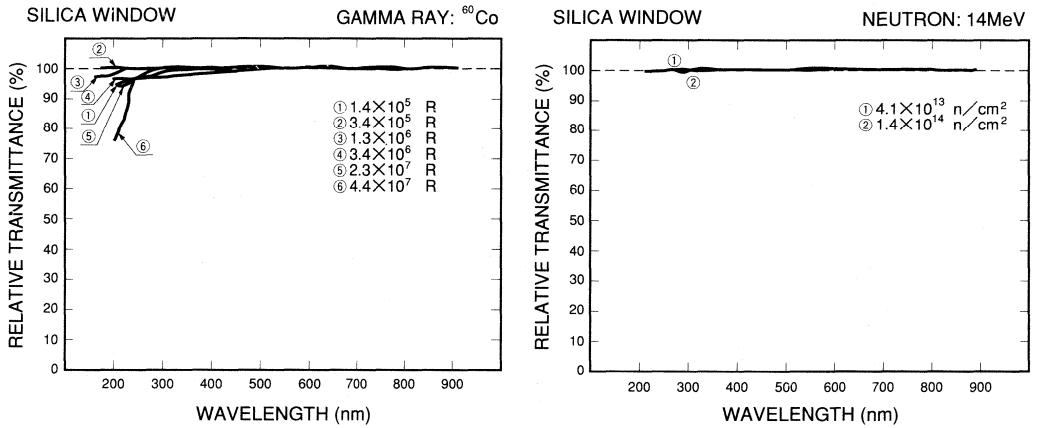
Figure 8-10: Bulb materials and variations in helium partial-pressure inside a tube

8. 6 Effects of Radiation

Photomultiplier tube applications are constantly expanding, as stated previously, to such fields as high energy physics, nuclear medicine, X-ray applied instrumentation, and space research. In these environments, photomultiplier tubes are usually exposed to radiation (X-rays, alpha rays, beta rays, gamma rays, neutrons, etc.) which somewhat affect the performance characteristics of photomultiplier tubes¹⁰⁾. Such radiation is detected by the photomultiplier tube photocathode and converted into useful signals, but it also causes deterioration of the glass envelope, metals, insulators, and materials used to construct the photomultiplier tube. The following sections describe the effects of radiation.

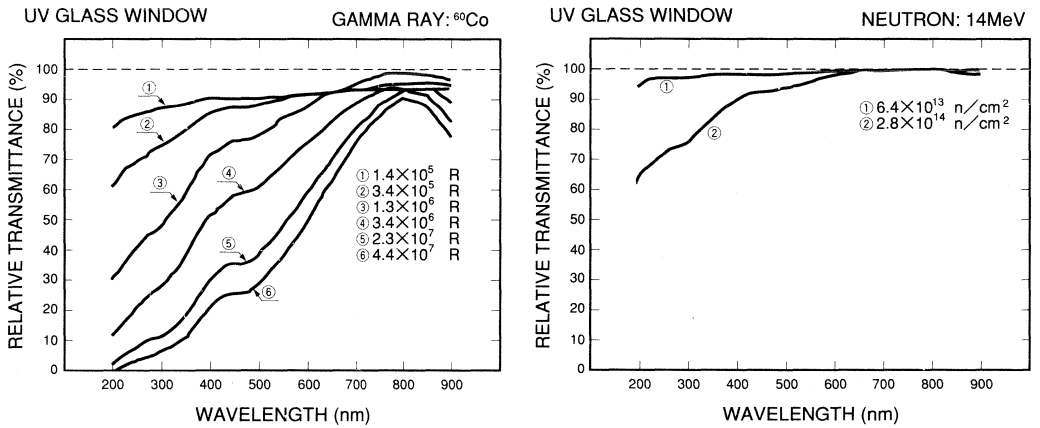
8. 6. 1 Deterioration of window transmittance

Even when a photomultiplier tube is exposed to radiation, the cathode sensitivity and secondary emission ratio exhibit very little variation. Sensitivity variation chiefly results from a loss of transmittance through the window due to coloring of the glass, which is an essential part of the photodetector¹¹⁾. Figures 8-11 to 8-13 show variations in the window transmittance when photomultiplier tubes are irradiated by gamma rays from a ^{60}Co radiation source and also by neutrons (14MeV).



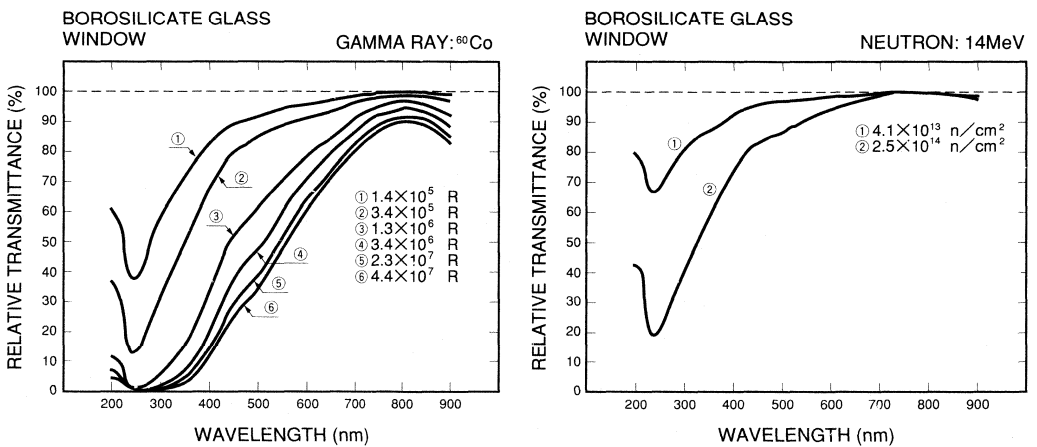
TPMOB0022EA

Figure 8-11: Transmittance variations of a synthetic silica window when irradiated by gamma rays and neutrons



TPMOB0023EA

Figure 8-12: Transmittance variations of a UV glass window when irradiated by gamma rays and neutrons



TPMOB0024EA

Figure 8-13: Transmittance variations of a borosilicate glass window when irradiated by gamma rays and neutrons

As can be seen from these figures showing the data on a synthetic silica, UV glass and borosilicate glass respectively, a loss of the transmittance occurs more noticeably in the UV region. The synthetic silica glass is least affected by radiation and virtually no variation is seen after irradiation of gamma rays of 4.4×10^7 roentgens and neutrons of 1.4×10^{14} n/cm². There are two types of silica glass: synthetic silica and fused silica. The synthetic silica exhibits a higher resistance to radiation than the fused silica. A loss of transmittance begins to occur from near 5×10^4 roentgens for the UV glass, and near 1×10^4 roentgens for the borosilicate glass. However, this tendency is not constant even for the same type of glass, because the composition differs depending on the fabrication method. In general, the radiation-resistance characteristic decreases in the order of silica, UV glass and borosilicate glass. When the transmittance has dropped due to exposure to radiation, it will recover to some extent after storage. This recovery is more effective when the tube is stored at higher temperatures.

8. 6. 2 Glass scintillation

The photomultiplier tube is slightly sensitive to radiation and produces a resultant noise. This is primarily due to unwanted scintillation of the glass window caused by beta and alpha rays or scintillation of the glass window and electron emission from the photocathode and dynodes caused by gamma rays and neutrons¹²⁾.

Of these, the scintillation of the glass window likely has the largest contribution to noise, but, as described in Section 3.11 of Chapter 3, the amount of scintillation differs depending on the type of glass. Glass scintillation further causes a continual fluorescence or phosphorescence to occur even after radiation has been removed, resulting in yet another source of noise. Figure 8-14 shows a variation in the dark current when a tube is irradiated by gamma rays, indicating that it takes 40 to 60 minutes to reach a steady level. In the case of neutron irradiation, it has been confirmed that the dynode materials are made radioactive through nuclear reaction (n,p) (n,n,p).

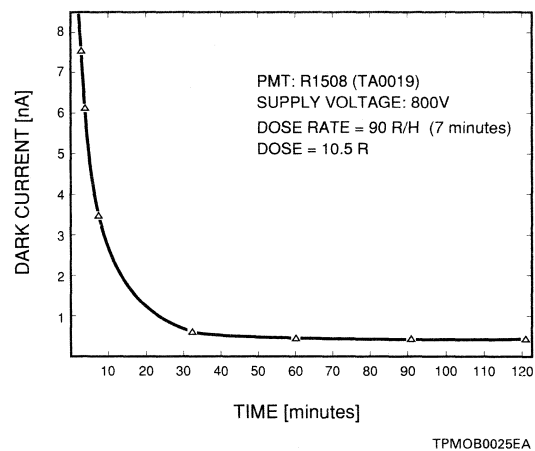


Figure 8-14: Dark current variation after gamma-ray irradiation

8. 7 Effects of Atmosphere

The photomultiplier tube may be used in environments not only at one atmosphere but also at very low pressures or in depressurized areas such as in aircraft and scientific satellite.

When there is a pressure drop from the atmospheric pressure down to a near vacuum, there is a possibility of a discharge occurring in the photomultiplier tube. This phenomenon is known as the Paschen's law. The law states that the minimum sparking potential between two electrodes in a gas is a function of the product of the distance between the electrodes and the gas pressure, if the electric field is uniform and the ambient temperature is constant.

The distance between the leads on the outside base and on the socket is set to an interval so that no discharge occurs in environments at one atmosphere or in vacuum. However, these structures tend to discharge most frequently at pressures from 100 to 1000 pascals*. If the tube is to be operated in this pressure range, sufficient precautions must be taken in the designing and wiring of the parts to which a high voltage is applied.

(* 133 pascals equals one torr.)

In high-energy physics applications such as proton decay experiments and cosmic ray detection, photomultiplier tubes are sometimes operated while underwater or in the sea. In this case, a pressure higher than one atmosphere is applied to the photomultiplier tube. The breaking pressure depends on the configuration, size and bulb material of the photomultiplier tube. In most cases, smaller tubes can withstand a higher pressure. However, large diameter (8 to 20 inches) photomultiplier tubes, specifically developed for high energy physics experiments, have a hemispherical shape capable of withstanding a high pressure. For example, 8-inch diameter tubes can withstand up to 7 atmospheres and 20-inch diameter tubes up to 6 atmospheres.

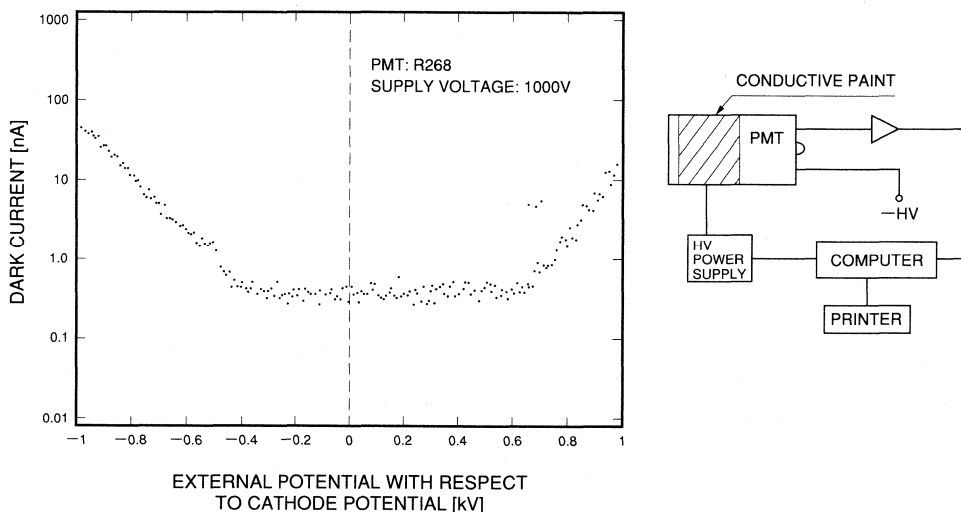
As for the bulb materials, photomultiplier tubes using a silica bulb provide lower pressure-resistance due to the graded seal. There are various shapes of input windows used for head-on photomultiplier tubes, including a plano-plano type (both the faceplate and photocathode are flat), a plano-concave type (the faceplate is flat but the photocathode is concave) and a convex-concave type (the faceplate is convex but the photocathode is concave). Compared to the plano-plano type, the plano-concave and convex-concave types offer higher pressure-resistance.

8. 8 Effects of External Electric Potential

Glass scintillation occurs upon exposure to radioactive rays or UV light, as explained in Section 8.6.2 of Chapter 8. It also occurs when a strong electric field is inside the glass. These glass scintillations cause the dark current to increase.

8. 8. 1 Experiment

Figure 8-15 shows the dark current variations of a photomultiplier tube whose side bulb is coated with conductive paint, measured while changing the electric potential of this coating with respect to the cathode potential.

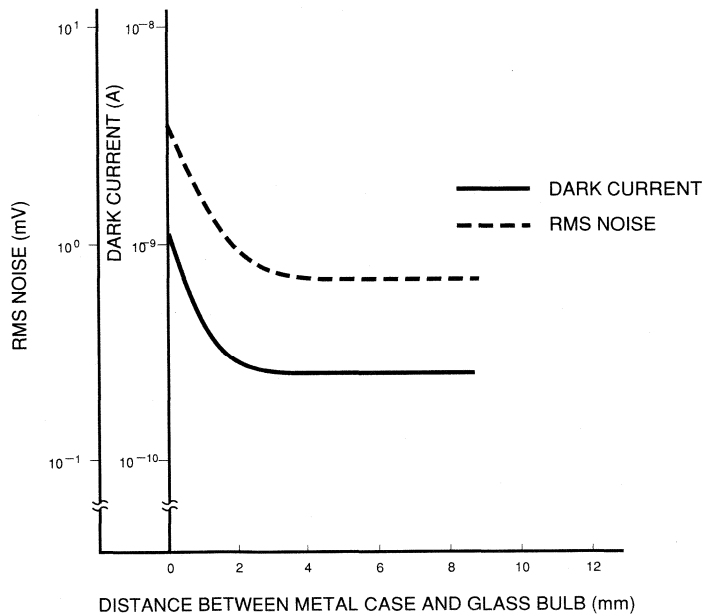
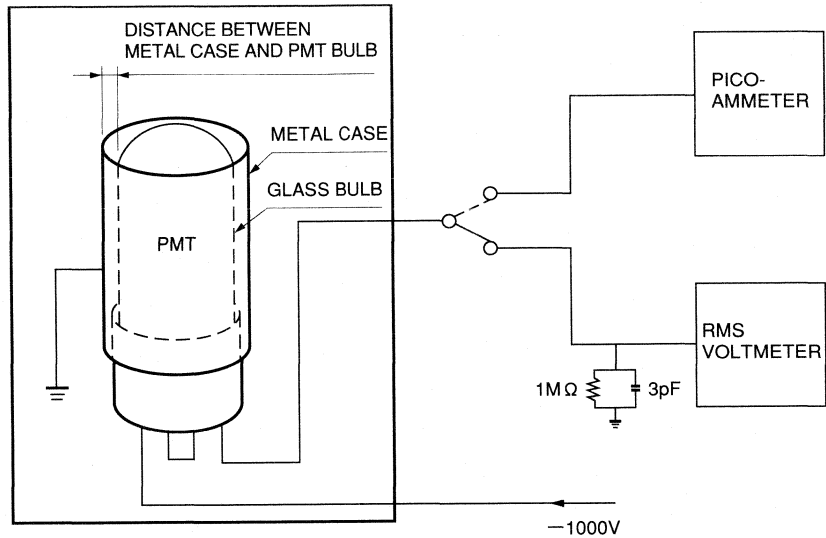


TPMOB0026EA

Figure 8-15: Dark current vs. external electric potential

It is clear that the larger the potential difference with respect to the cathode, the higher the dark current. The reason for this effect is that the inner surface of the bulb near the cathode is aluminum-coated and maintained at the cathode potential as explained in Chapter 2, and if the outside of the bulb has a large potential difference with respect to the cathode, glass scintillation occurs there. This scintillation light is reflected into the photocathode, causing an increase in the dark current.

The housing in which the photomultiplier tube is installed is usually grounded. If the photomultiplier tube is operated in the anode grounding scheme with the cathode at a negative high voltage and is installed close to the wall of the housing, the dark current may increase for the same reason. This problem can be solved by allowing an adequate distance between the photomultiplier tube and the inside of the housing. Figure 8-16 shows the dark current variations while the distance between the photomultiplier tube and the grounded case is changed, proving that there is no increase in the dark current when the separation ≥ 4 millimeters.



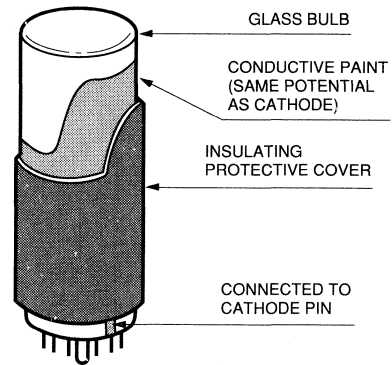
TPMOC0014EA

Figure 8-16: Dark current vs. distance to the grounded case

8. 8. 2 Taking corrective action

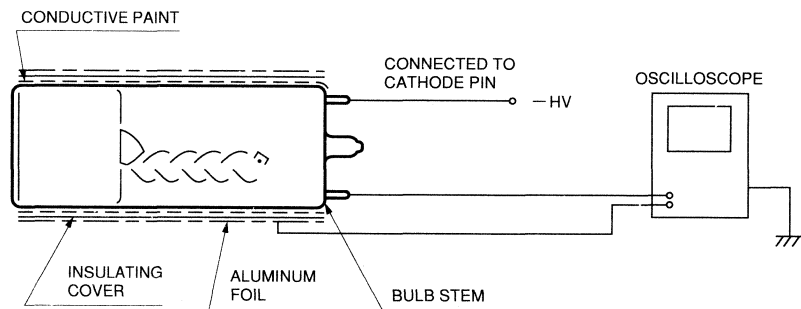
The above effects of external electric potential can be eliminated by use of the cathode grounding scheme with the anode at a positive high voltage, but photomultiplier tubes are frequently operated in the anode grounding scheme with the cathode at a negative high voltage. In this case, a technique of applying a conductive paint around the outside of the bulb and connecting it to the cathode potential can be used, as illustrated in Figure 8-17¹³⁾.

This technique is called "HA coating" by Hamamatsu Photonics and, since a negative high voltage is applied to the outside of the bulb, the whole bulb is covered with an insulating cover (heat-shrinkable tube) for safety. The noise problem caused by the external electric potential can be minimized by use of an HA coating. Even so, in cases where a metal foil at ground potential is wrapped around the tube, minute amounts of noise may still occur. This effect can be observed using a setup like that shown in Figure 8-18. This noise is probably caused by a small discharge which may sometimes occur due to dielectric breakdown in the insulating cover, which then produces a glass scintillation reaching the photocathode. This problem can be reduced by shifting the metal foil wrapped around the HA coating away from the photocathode toward the bulb stem.



TPMOC0015EA

Figure 8-17: HA coating



TPMOC0016EA

Figure 8-18: Observing the effect of external electric potential on HA coating

As mentioned above, the HA coating can be effectively used to eliminate the effects of external potential on the side of the bulb. However, if a grounded conductive object is located on the photocathode faceplate, there are no effective countermeasures and what is worse, scintillation occurring in the faceplate has a larger influence on the noise. Therefore, any grounded object, even insulating materials, should not make contact with the faceplate. If such an object must make contact with the faceplate, it is necessary to select one with high insulating properties such as teflon. Another point to be observed is that a grounded object located on the faceplate can cause not only a noise increase but also deterioration of the photocathode sensitivity. Once deteriorated, the sensitivity will never recover to the original level. Thus, particular care must be exercised with regard to the mounting method of the photomultiplier tube.

Taking account of the above effects of external electric potential it is recommended, if possible, that the photomultiplier tube be operated in the cathode grounding scheme with the anode at a positive high voltage.

8.9 Reliability

8.9.1 Stability over time (life characteristic)

Stability over time of a photomultiplier tube exhibits a somewhat specific pattern according to the type of photocathode and the dynode materials, but greatly depends on the operating conditions (especially on the output current) and the fabrication process. Also, stability over time widely varies from tube to tube even among the same tube family.

In normal operation, the cathode current flowing through the photocathode is on the order of picoamperes, and the photocathode fatigue can virtually be ignored. Accordingly, the operating stability of the dynodes is an important factor that largely affects the stability over time of the photomultiplier tube. Figure 8-19 shows typical data for time stability when photomultiplier tubes are operated at their maximum rated currents.

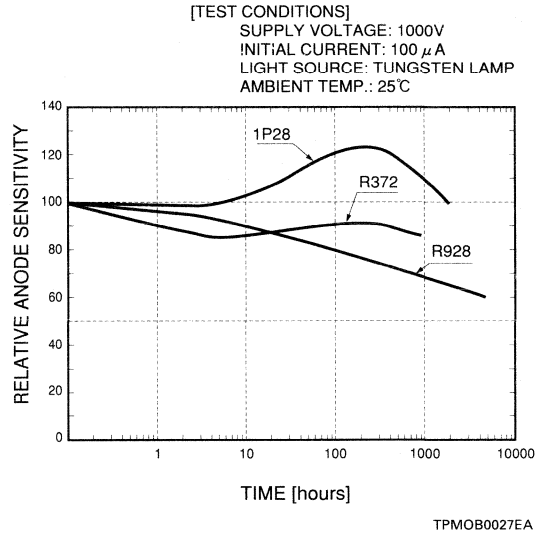


Figure 8-19: Typical time stability of photomultiplier tubes

8.9.2 Current stress and stability

As mentioned in the preceding section, time stability of a photomultiplier tube varies with the operating conditions. In general, the larger the current stress, the earlier and more significant the variation that occurs. Figure 8-20 shows typical time stability of photomultiplier tubes when their operating anode currents I_p are set to 1, 10 and 100 microamperes, indicating both increasing and decreasing patterns.

Figure 8-21 shows a typical acceleration factor over time with respect to the anode current.

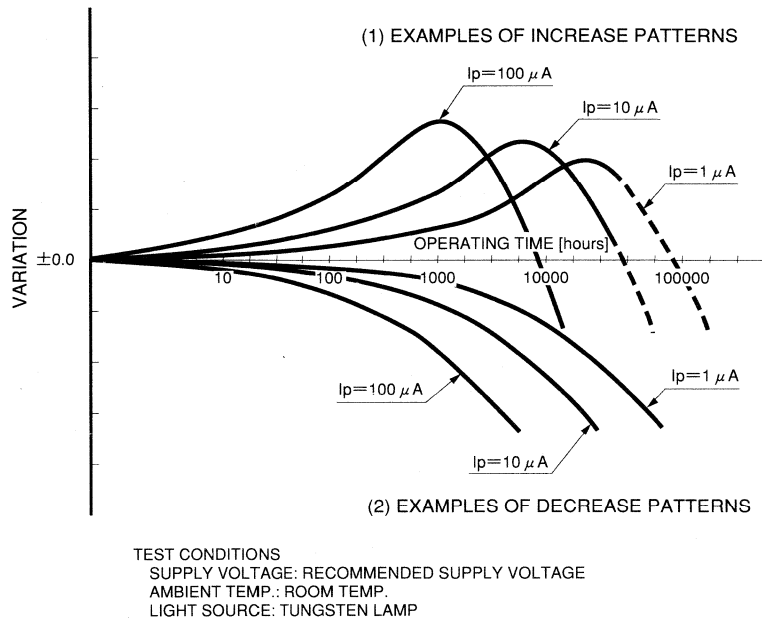
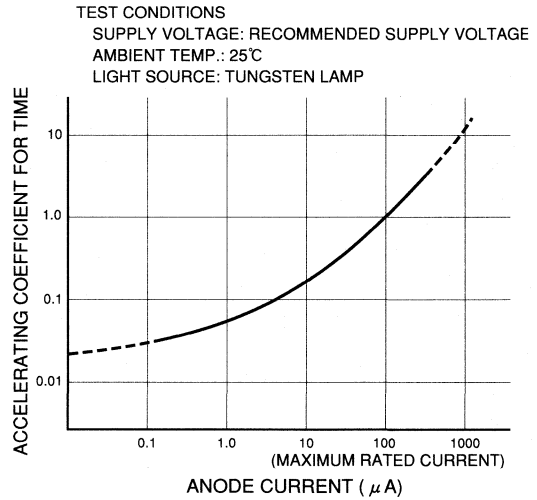


Figure 8-20: Typical time stability of photomultiplier tubes (at different anode currents)

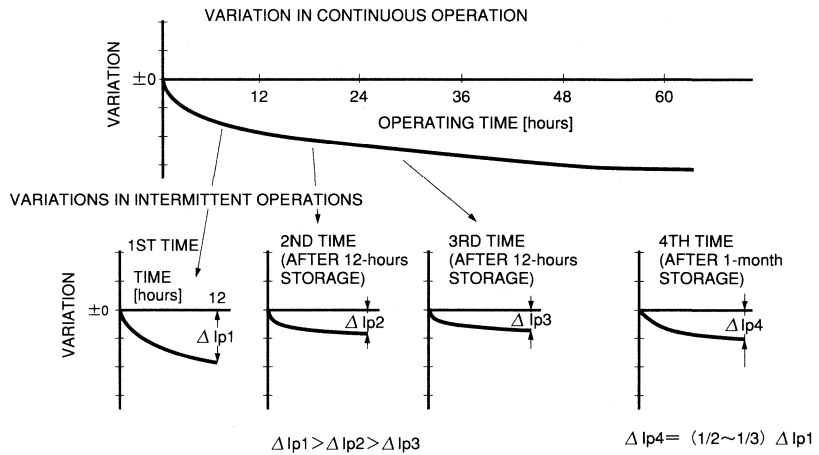
Stability over time can be improved to some extent by aging the tube. Figure 8-22 shows the initial output variations when a photomultiplier tube is intermittently operated. It is obvious from the figure that a large variation during the initial operation can be reduced to nearly half, during the second or later operations.

It should be borne in mind that if the photomultiplier tube is left for long periods of time, stability will return to its original values. In applications where high stability is prerequisite, we recommend the tube be aged before use.



TPMOB0029EA

Figure 8-21: Typical acceleration factor over time with respect to anode current



TPMOB0030EB

Figure 8-22: Effects of intermittent operation (aging effect)

8.9.3 Reliability

Photomultiplier tube applications are constantly expanding to such fields as scintillation counting, high energy physics, nuclear medicine, X-ray applied instrumentation, and aerospace fields. In these application fields, a large number of photomultiplier tubes (sometimes hundreds or occasionally even thousands of tubes) are used in one instrument. It is therefore extremely important in these applications to predict and verify the reliability of the photomultiplier tubes.

(1) Failure mode

Failure mode for photomultiplier tubes is roughly classified into gradual failure and breakdown failure. The main failure mode is gradual failure, which includes cathode sensitivity degradation, a loss of current amplification, an increase in dark current and a decrease in dielectric resistance. Breakdown failure includes cracks in the faceplate, bulb envelope and stem portion, and also air leakage through microscopic cracks. Breakdown failure fatally damages the photomultiplier tube, making it permanently unusable.

Since Hamamatsu photomultiplier tubes undergo stringent screening both in the manufacturing and inspection process, most possible failures and their causes are eliminated before shipping. As a result of in-house reliability tests, we have found most of the failure mode causes lie in a loss (or variation) of current amplification. This means that the photomultiplier tube can still be properly used by adjusting the operating voltage.

(2) Failure rate

Failure rate⁽¹⁵⁾⁽¹⁶⁾ is defined as the probability of failure per unit time. Failure rate is generally estimated by using the following two kinds of data:

1. In-house reliability test data
2. Field data

Actual results obtained from field data prove that the photomultiplier tube failure rate is at a level of 2×10^{-7} to 2×10^{-6} failures/hour with operating conditions at room temperatures, a rated supply voltage and an anode output current of 100 nanoamperes. In particular, it is predicted that those tubes which have undergone screening provide a failure rate as small as 5×10^{-7} failures/hour.

(3) Mean life

There is a measure of reliability which is commonly referred to as MTBF⁽¹⁵⁾⁽¹⁶⁾ (mean time between failure) or MTTF (mean time to failure). Stated simply, this is the average hours of time until any failure occurs, in other words, mean life.

Since the definition and fundamental calculation of these terms are described in detail in various papers, this section only briefly explains these terms.

The relation between the failure rate (λ) and the mean life (θ) can be expressed on the assumption that it has failure distribution in accordance with exponential distribution, as follows⁽¹⁵⁾⁽¹⁶⁾:

$$\theta = 1 / \lambda$$

Therefore, the reciprocal of the failure rate is the mean life.

As an example, when a photomultiplier tube is operated in room environments with the anode output current of about 100 nanoamperes, a mean life of 5×10^5 to 5×10^6 hours can be predicted based on the failure rate explained above. For those tube which have passed screening, the mean life would be more than 2×10^6 hours.

(4) Reliability

Based on the fundamental calculation for stability data, reliability R is defined as follows¹⁵⁾¹⁶⁾:

$$R(t) = e^{-\lambda t} \quad (t: \text{operating time in hours})$$

Therefore, using a typical failure rate of photomultiplier tubes of 2×10^{-6} to 2×10^{-7} failures/time, reliability R becomes as follows:

Elapsed time in operation	Reliability R(t)	
	at $\lambda = 2 \times 10^{-6}$	at $\lambda = 2 \times 10^{-7}$
One year (8760 hours)	98.3%	99.8%
2 years (17520 hours)	96.6%	99.7%
3 years (26280 hours)	94.9%	99.5%
4 years (35040 hours)	93.2%	99.3%
5 years (43800 hours)	91.6%	99.1%

The above results can be used as a reference in determining reliability levels of photomultiplier tubes, and prove that the photomultiplier tube provides considerably high reliability levels tube when operated under favorable conditions.

8. 9. 4 Reliability tests and criteria used in Hamamatsu Photonics

Hamamatsu Photonics performs in-house reliability tests by setting the following test conditions and failure criteria to obtain the failure rate.

Reliability test conditions

- 1) Environmental stress conditions
Room temperature (25°C) and high temperature (60°C) (10°C above the maximum rating)
- 2) Test procedures
Storage and operating life
- 3) Operating conditions (photomultiplier tubes)
Supply voltage: catalog-listed standard operating voltage
1000 to 1250V
Anode output current: catalog-listed maximum rating
10 to 100 μ A

Failure criteria

- 1) Anode sensitivity judged as the end of life
 $\pm 50\%$ variation
- 2) Anode sensitivity during non-operation (storage)
 $\pm 25\%$ variation
- 3) Cathode sensitivity
 $\pm 25\%$ variation

- 4) Anode dark current (DC)
More than 500 times increase, faulty dielectric-resistance
- 5) Breakdown failure
Discharge, crack, anode leakage current, etc.

Notice that the above criteria are specified by Hamamatsu Photonics for evaluation and do not necessarily indicate that a tube outside these standards is unusable.

Hamamatsu Photonics has continually performed reliability tests under the above conditions over extended periods of time and has collected large amounts of data. Our evaluation results show that the failure rate of photomultiplier tubes ranges from 1×10^{-3} to 1×10^{-4} failures/hour and thus the mean time is from 1000 up to 10000 hours. Based on these results, the ratio of the failure rate at room temperatures and an anode output current of 100 nanoamperes, to the failure rate under operating conditions at a maximum rating (10 to 100 microamperes) will be approximately 500 times. This means that our in-house test conditions have an acceleration factor approximately 500 times that of the field data.

References in Chapter 8

- 1) Hamamatsu Photonics Catalog: Photomultiplier Tubes.
- 2) Hamamatsu Photonics Catalog: Accessories for Photomultiplier Tubes.
- 3) Hamamatsu Photonics Catalog: Accessories for Photomultiplier Tubes.
- 4) Hamamatsu Photonics Technical Data Sheet: T-101.
- 5) Special Committee for Measurement and Research into Vibration and Shock, Society of Electricity: Measurement: Electric/Electronic Equipment and Vibration/Shock, Corona-sha.
- 6) IEC Publication 68-2: Basic Environmental Testing Procedures.
- 7) Hamamatsu Photonics Catalog: Ruggedized High-Temperature Photomultiplier Tubes TPMH0001EA.
- 8) Bicon Corp.: Ruggedized High-Temperature Detector Technology.
- 9) J.R. Incandela, S.P. Ahlen, J. Beatty, A. Ciocio, M. Felcini, D. Levin, D. Ficenc, E. Hazen, A. Marin, J.L. Stone, L.R. Sulac, W. Worstell: Nucl. Instrum. & Methods, Phys. Res. A269, 237-245 (1988).
- 10) L.W. Howell, H.F. Kennel: Optical Engineering, 25, 4, 545 (1986).
M.M. Brinbaum, R.L. Bunker, J. Roderick, K. Stephenson: AIAA Guidance And Control Conference (1984).
- 11) S. Sakubana, T. Kyono, K. Takahashi: Glass Handbook, 825, Asakura Shoten.
- 12) W. Viehamann, A.G. Eubanks, G.F. Pieper, J.H. Bredekamp: Applied Optics, 14,9, 2104 (1975).
- 13) Hamamatsu Photonics Catalog: Photomultiplier Tubes.

NOTES

CHAPTER 9

APPLICATIONS

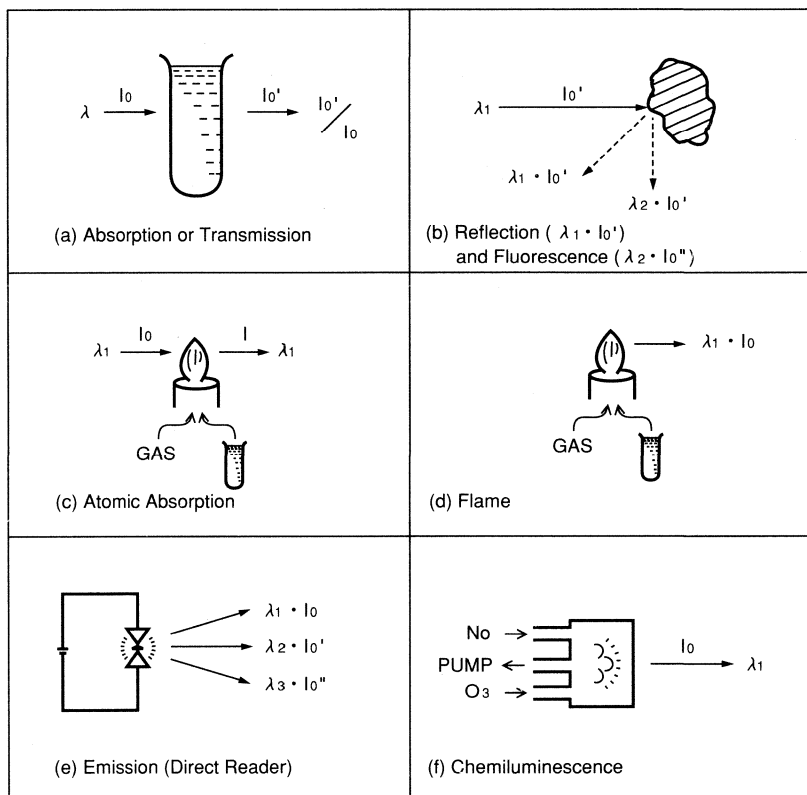
Photomultiplier tubes (PMTs) are extensively used as photodetectors in various measuring equipment in fields such as chemical analysis, medical diagnosis, scientific research and industrial measurement. This chapter introduces major applications of photomultiplier tubes and describes the principle and detection methods of each application.

This chapter also explains the types of photomultiplier tubes which are most suited for each application as well as the major performance characteristics required of the photomultiplier tubes and their measurement methods.

9.1 Spectrophotometry

9.1.1 Overview

Spectrophotometry is a study of the transmission and reflection properties of material samples as a function of wavelength, but the term commonly means chemical analysis of various substances utilizing photometry. Photometric instruments used in this field are broadly divided into two methods: one utilizes light absorption, reflection or polarization at specific wavelengths and the other uses external energy to excite a sample and measures the subsequent light emission. Photomultiplier tubes have been most widely used in this field for years. Major principles used in spectrophotometry are classified as illustrated in Figure 9-1 below.



TPMOC0017EB

Figure 9-1: Major principles of spectrophotometry

Specific photometric instruments currently used are:

- 1) Visible to UV spectrophotometers (absorption, reflection)
- 2) Infrared spectrophotometers (absorption, reflection)
- 3) Far UV spectrophotometers (absorption, reflection)
- 4) Emission spectrophotometers
- 5) Fluorescence spectrophotometers
- 6) Atomic absorption spectrophotometers
- 7) Azimuthal, circular dichroism meters
- 8) Raman spectrophotometers
- 9) Densitometers, colorimeters and color analyzers

etc.

9.1.2 Specific applications

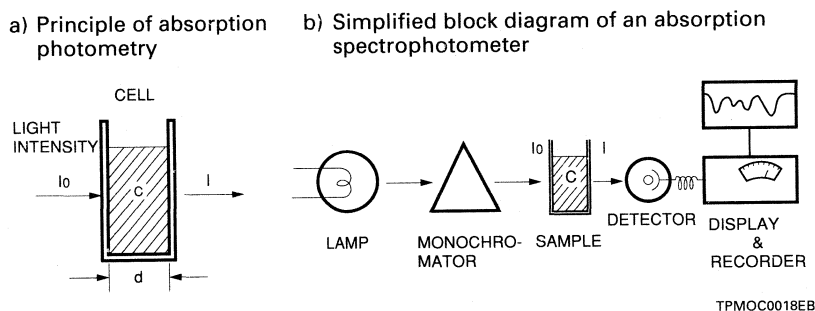
The following paragraphs explain major, specific applications of spectrophotometers, divided into two methods utilizing absorption or emission.

(1) Utilizing Absorption

A. UV, visible and infrared spectrophotometers

When light passes through a substance, the light energy causes changes in the electronic state of the substance (electron transition) or induces characteristic vibration of the molecules, resulting in a loss of partial energy. This is referred to as absorption, and quantitative analysis can be performed by measuring the extent of absorption.

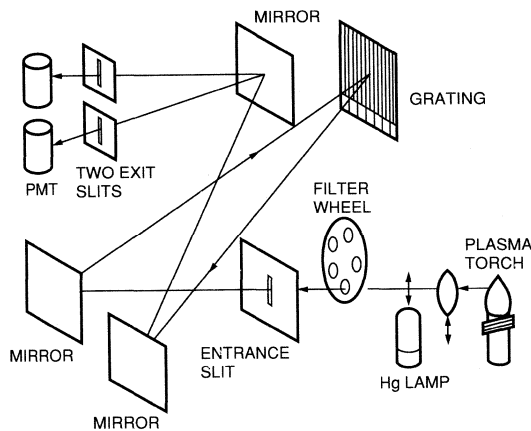
The principle and simplified block diagram¹⁾ of an absorption spectrophotometer are shown in Figure 9-2.



TPMOC0018EB

Figure 9-2: Principle and block diagram of an absorption spectrophotometer

There are various optical systems in use today for spectrophotometers. Figure 9-3 illustrates the optical system²⁾ of a spectrophotometer using sequential plasma emission as the light source for covering from the ultraviolet to visible and infrared range.



TPMOC0019EA

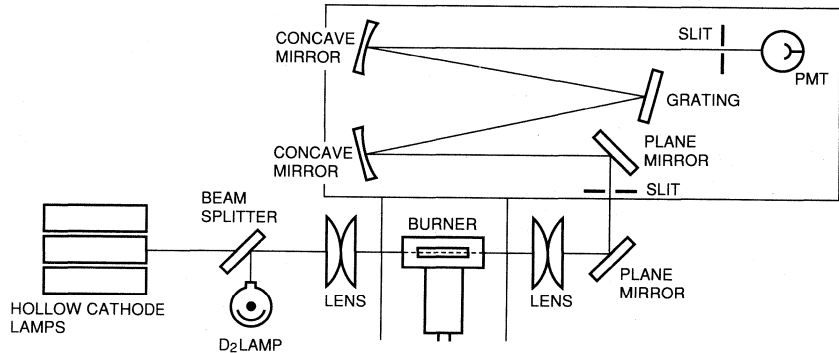
Figure 9-3: Optical system of a UV to visible spectrophotometer

B. Atomic absorption spectrophotometers

The atomic absorption spectrophotometer employs special light sources (hollow cathode lamps) constructed for the respective elements to be analyzed. A sample is dissolved in solvent and burned for atomization, and light from the specific hollow cathode lamp is passed through the flame. The amount of light that is absorbed is proportional to the

concentration of the sample material. Therefore, by comparing the extent of absorption between the sample to be analyzed and a standard sample measured in advance, it is possible to know the concentration of the specific element contained in the sample.

A typical optical system³⁾ used for atomic absorption spectrophotometers is shown in Figure 9-4.



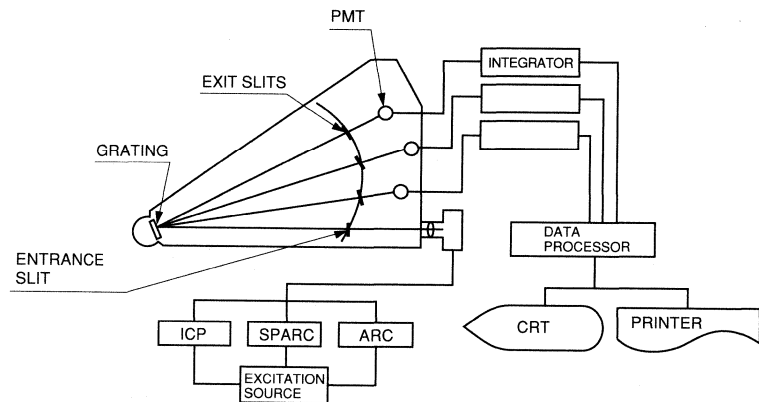
TPMOC0021EA

Figure 9-4: Optical system used for atomic absorption spectrophotometers

(2) Utilizing Emission

A. Photoelectric emission spectrophotometers (direct readers)

When external energy is applied to a sample, light emission occurs from the sample. Dispersing this emission using a monochromator, into characteristic spectral lines of elements and measuring their presence and intensity simultaneously, enables rapid qualitative and quantitative analysis of the elements contained in the sample. Figure 9-5 illustrates the block diagram⁴⁾ of a photoelectric emission spectrophotometer in which multiple photomultiplier tubes are used.



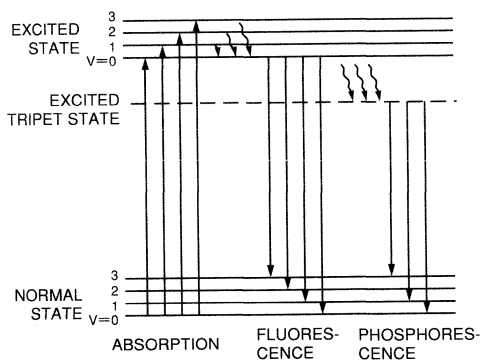
TPMOC0022EA

Figure 9-5: Block diagram illustrating a photoelectric emission spectrophotometer

B. Fluorospectrophotometers

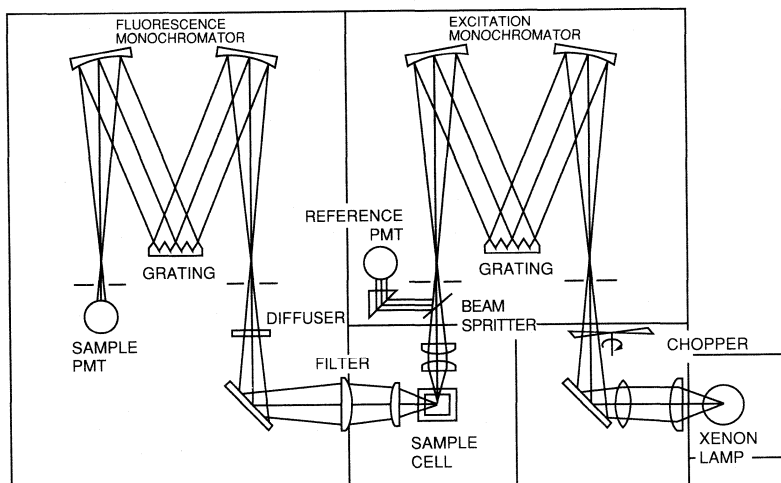
The fluorospectrophotometer is mainly used for chemical analysis in biochemistry, especially in molecular biology. When a substance is illuminated and excited by visible or ultraviolet light, it may emit light with a wavelength longer than that of the excitation light. This light emission is known as fluorescence and its emission process⁵⁾ is shown in Figure 9-6. Measuring the fluorescent intensity and spectra allows quantitative and qualitative analysis of the elements contained in the substance.

Figure 9-7 shows the construction⁶⁾ of a fluorospectrophotometer using photomultiplier tubes as the detectors. This instrument roughly consists of a light source, excitation monochromator, fluorescence monochromator and fluorescence detector. A xenon lamp is commonly used as the light source because it provides a continuous spectrum output over a wide spectral range. The excitation and fluorescence monochromators use the same diffraction grating or prism, as are used in general-purpose monochromators.



TPMOC0023EA

Figure 9-6: Fluorescent molecular energy levels



TPMOC0024EA

Figure 9-7: Fluorospectrophotometer structure

9. 1. 3 Characteristics required of photomultiplier tubes

Major characteristics required of photomultiplier tubes in these applications are as follows:

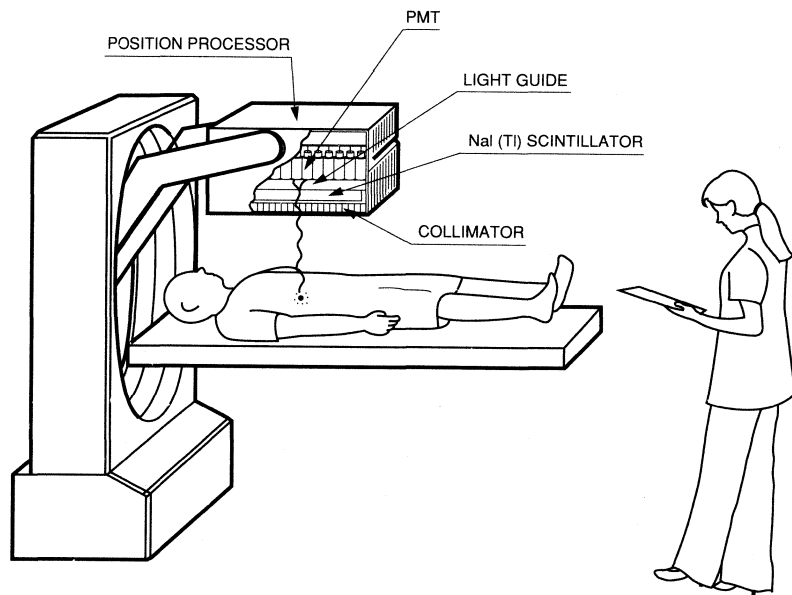
- a) High stability
- b) Low dark current
- c) High signal-to-noise ratio
- d) Wide spectral response (ultraviolet to infrared)
- e) Low hysteresis
- f) Excellent polarization properties

Side-on and head-on photomultiplier tubes having a multialkali photocathode and silica window are most frequently used in these applications.

9. 2 Gamma Cameras

9. 2. 1 Overview

This equipment has made progress as an imaging system utilizing a radioactive isotope (RI), starting historically from a scintillation scanner and being gradually improved to the present gamma camera developed by Anger (U.S.A.). Recently, even more sophisticated equipment called SPECT (single photon emission computed tomography) utilizing the principle of the gamma camera, has been developed and is now coming into wide use. The external view of a gamma camera is illustrated in Figure 9-8.



TPMHC0017EA

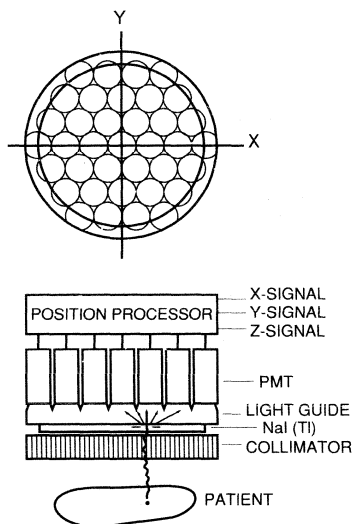
Figure 9-8: External view of a gamma camera

Figure 9-9 shows sectional views of a detector used in gamma cameras, in which dozens of photomultiplier tubes are installed in a honeycomb arrangement. Each photomultiplier tube is coupled, via a light-guide, to a large-diameter scintillator made from a thalium-activated sodium-iodide (NaI(Tl) scintillator), serving as a gamma-ray detector.

Three prime features of gamma cameras are:

1. High sensitivity
2. Broad, static field-of-view
3. High spatial resolution

These features lead to advantages such that rapid changes in the RI distribution can be measured and the length of diagnostic time can be shortened. To make more effective use of these advantages, a variety of gamma-ray nuclide drugs have been developed for use with the gamma cameras. In addition, improvements in the position processing circuit achieves higher resolution, making gamma cameras more popular in medical diagnosis. Major nuclides used for nuclear medical imaging are listed in Table 9-1 and the principle of SPECT equipment utilizing gamma cameras is shown in Figure 9-10.



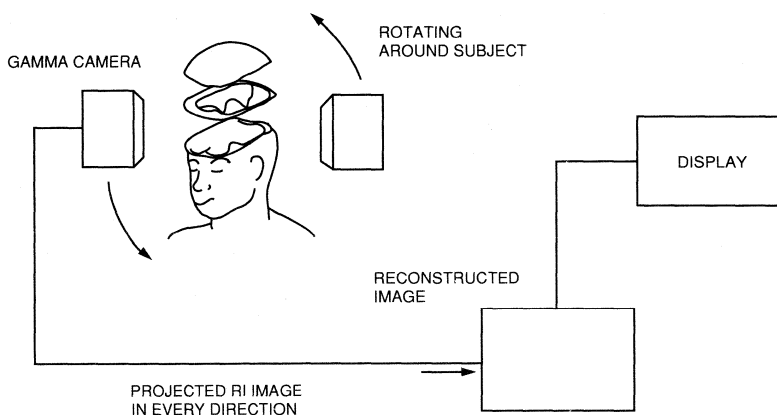
TPMHC0018EA

Figure 9-9: Sectional views of a detector used in gamma cameras

Nuclide	Gamma Ray Energy (keV)	Half-life
¹²⁰ Te	140 (without β^-)	6.04h
¹³³ Xe	81 (β^- :340)	5.27d
⁶⁹ Ga	93 (40%), 184 (24%), 296 (22%)	78h
²⁰¹ Tl	70	73 ⁵ h
¹³¹ I	364 (82%) (β^- :608)	8.04d
¹²⁷ I	160	1.7h
⁸¹ Kr	190	13 sec
¹¹¹ In	247 (94%), 177 (8%)	2.8d

() Internal emission rate

Table 9-1: Major nuclides used for nuclear medical imaging



TPMHC0019EA

Figure 9-10: Principle of SPECT

9.2.2 Major characteristics required of photomultiplier tubes

The following characteristics are required particularly for photomultiplier tubes used in gamma cameras and SPECT equipment.

- High energy resolution or pulse height resolution (PHR)
- Excellent uniformity (especially azimuth uniformity; refer to Section 3.5.2)
- High level of stability
- Uniform RPH (relative pulse height) and current amplification between each tube

Energy resolution is one of the most important characteristics required of photomultiplier tubes used in gamma camera, because energy resolution affects spatial resolution. Photomultiplier tube uniformity also has an effect on the position data taken by a gamma camera. If uniformity is poor, the distortion of the gamma camera will increase. For details on azimuth uniformity, which is a more practical parameter to evaluate photomultiplier tubes used in gamma cameras, refer to Section 3.5.2. Photomultiplier tube stability also has a large effect on gamma camera performance because the position data is obtained from the pulse height of photomultiplier tube output. If the output pulse height varies due to the amount of radiation or with operating time, this may cause problems with output pulse height measurement. (Refer to Section 3.3.4, "Stability")

Figure 9-11 shows typical long-term stability characteristics for the Hamamatsu R1306 photomultiplier tube, specifically developed for gamma cameras.

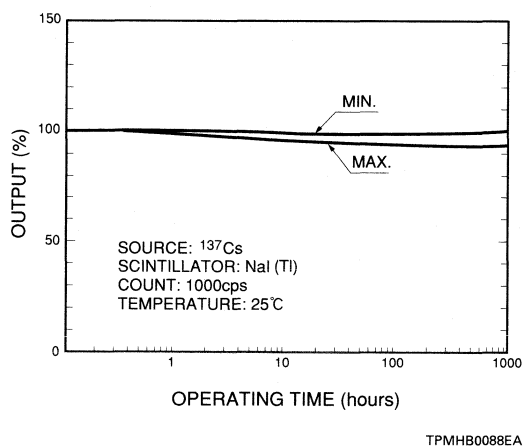


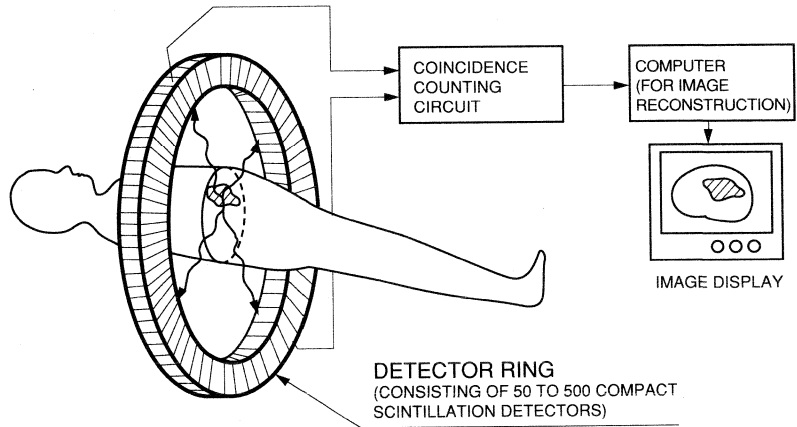
Figure 9-11: Typical long-term stability of a photomultiplier tube

9.3 Positron CT

9.3.1 Overview

Much attention has recently been focused on ECT (emission computed tomography) as an application of nuclear medical diagnosis using photomultiplier tubes. ECT can be broadly divided into SPECT (See Figure 9-2 in Section 9.2.) and positron CT (positron computed tomography). This section explains specific examples of positron CT.

Positron CT is also called PET (positron emission tomography) and the schematic diagram⁷⁾ of this system is illustrated in Figure 9-12. Figure 9-13 shows the external view of a positron CT system developed for head diagnosis and Figure 9-14 illustrates the internal view of the detector section.



TPMHC0020EA

Figure 9-12: Schematic diagram of a positron CT system

A pair of gamma-ray emissions of 511keV, which are released in opposite directions as a result of the annihilation of a positron emitted from a tracer RI in the body, are measured by coincidence technique.

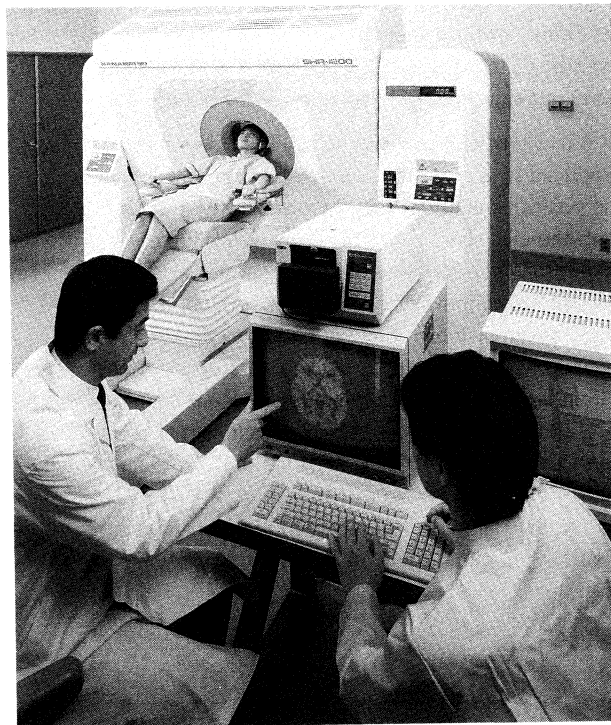
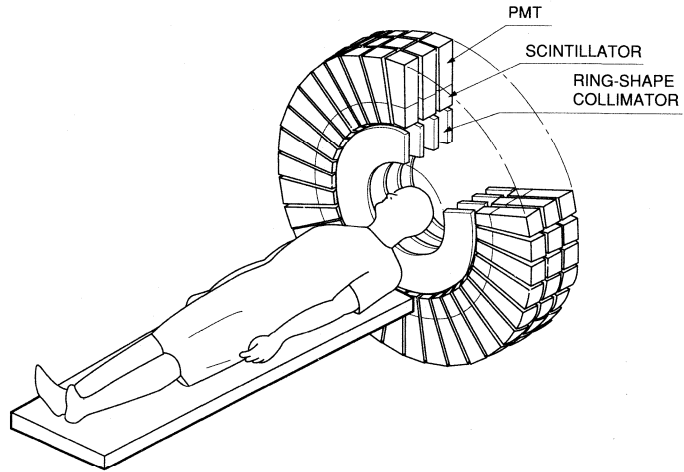


Figure 9-13: External view of a positron CT system



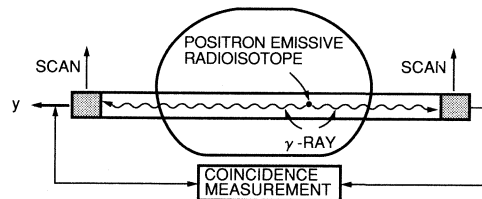
TPMHC0021EA

Figure 9-14: Internal view of a positron CT system

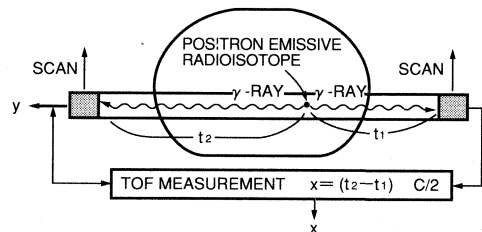
A prime feature of positron CT is that real-time tomographic images, for example, images mapping the actual blood flow into the brain, can be clearly obtained. From these images, the exact position at which a blood vessel is broken or blocked can be checked, making this system ideally suited for diagnosis of diseases related to blood vessels, such as brain blood vessel diseases and cardiac diseases. This system is also becoming useful in the diagnosis of malignant tumors. Furthermore, because the active state of a brain can be examined, the positron CT system is now opening the way to elucidation of complex disorders such as schizophrenia, epilepsy and aging of the brain⁸⁾.

When positron-emissive RI (radioactive isotope) produced by a cyclotron is introduced into the body, the positrons emitted from the positron RI combine with the electrons within the body, releasing a pair of photons called “annihilation gamma rays” in opposite directions. The positron CT system detects and measures these gamma rays by coincidence measurement to create an image of RI distribution within the body. Each photomultiplier tube is coupled to a scintillator (See Table 9-2) for detection of gamma rays. There is another type of Positron CT system⁹⁾ that utilizes TOF (time-of-flight) measurement, as shown in Figure 15 b). The TOF measurement requires photomultiplier tubes with excellent time properties.

a) Positron



b) TOF: Time of Flight



TPMHC0022EA

Figure 9-15: Principles of measurement for Positron CT

	Density (g/cm ³)	Relative Luminous Intensity (NaI(Tl) Normalized at 100)	Emission Time (ns)	Peak Emission Wavelength (nm)	Applications
BGO	7.13	20	300	480	PET
BaF ₂	4.88	8/32	0.8/620	220/31	TOF, ECT, PET
Pure CsI	4.5	20	10	300	γ-ray, X-ray, PET

Table 9-2: Characteristics of major scintillators

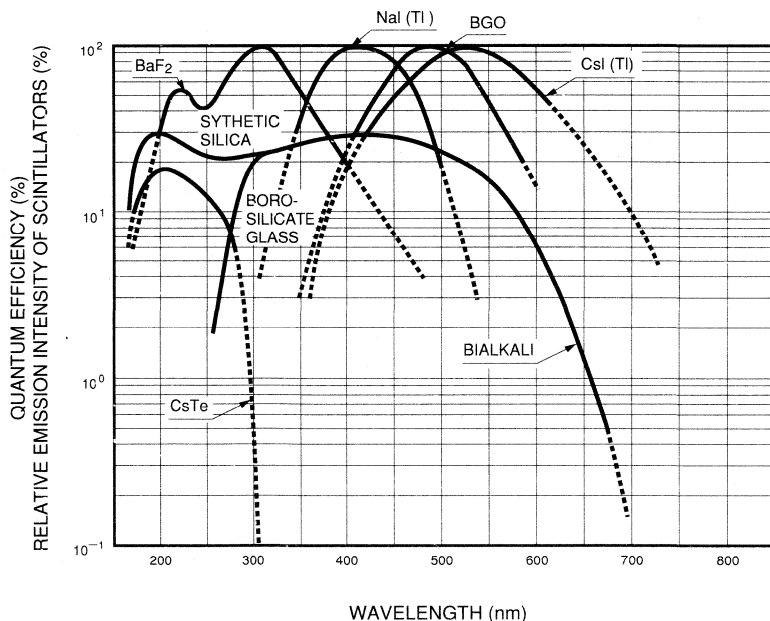
9. 3. 2 Major characteristics required of photomultiplier tubes

The following characteristics are required of photomultiplier tubes used for the detectors of positron CT.

- High energy resolution or pulse height resolution (PHR)
- High current amplification and minimal variations between individual tubes
- Excellent CRT (coincidence resolving time)
- High level of stability
- Compact size

(1) Photomultiplier tubes coupled to BGO (Bi₄Ge₃O₁₂) scintillators

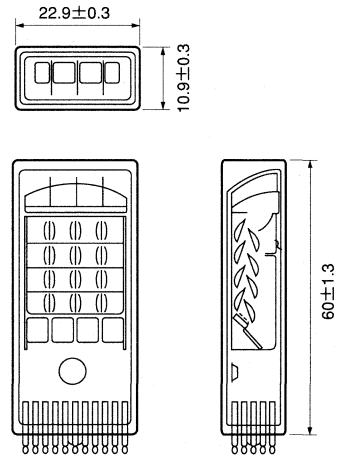
This application requires high energy resolution of the photomultiplier tube. For this purpose, the photomultiplier tube must have high photocathode quantum efficiency at the emission wavelength (480 nanometers) of the BGO scintillator (See Figure 9-16), high secondary emission ratio (δ) of the first dynode and excellent photoelectron collection efficiency (α). Moreover, because many photomultiplier tubes are used at the same time in one system, it is also important that the photomultiplier tubes be compact and have adequate gain in order to improve position resolution.



TPMHB0089EA

Figure 9-16: Scintillator emission spectra and photocathode spectral response of photomultiplier tubes

Figure 9-17 shows the construction of a rectangular photomultiplier tube (R3309) specifically developed for the positron CT. This tube has a unique structure of four segments in a single compact envelope. Because one tube serves as four independent tubes, position resolution can be significantly improved.

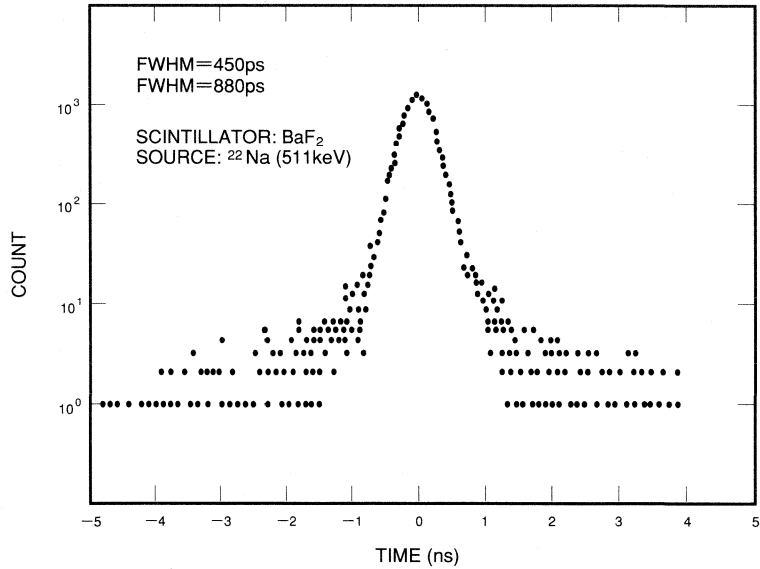


TPMHA0127EA

Figure 9-17: Four-segmented, rectangular photomultiplier tube (R3309) developed for positron CT

2) Photomultiplier tubes coupled to barium fluoride (BaF_2) scintillators

Barium fluoride (BaF_2) scintillators offer a faster emission speed compared to BGO scintillators and are often used for TOF type positron CT. Equivalent characteristics are required of photomultiplier tubes as in the case of photomultiplier tubes used with BGO scintillators. In addition, a high photocathode quantum efficiency at the peak wavelength of fast emission components (220 nanometers) of BaF_2 scintillators is necessary. (See Figure 9-16.) Another factor for concern is fast CRT (coincidence resolving time) properties. Better CRT properties provide more accurate TOF information and enable high-quality tomographic imaging, making it possible to perform dynamic studies. The amount of fast-component emission of a BaF_2 scintillator is one-fourth that of the BGO scintillator. An amplifier can be used to obtain an output equivalent to that from a BGO scintillator, but this adversely affects CRT properties. Consequently, photomultiplier tubes with high current amplification are required.



TPMHB0090EA

Figure 9-18: CRT spectrum of R2496 obtained at energy equivalent to 140keV

9.4 In-vitro Assay

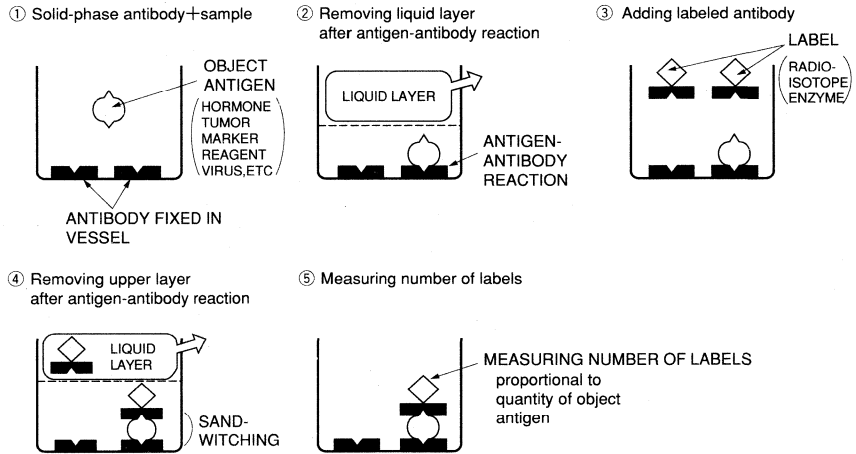
The analysis and inspection of blood or urine samples collected out of a living body is referred to as in-vitro assay. It is used for physical checkups, diagnosis, and evaluation of drug potency. The in-vitro assay can be classified as shown in Table 9-3. Of these, the concentrations of most tumor markers, hormones, drugs and viruses which are classified under immunological assay are exceedingly low. This requires extremely high-sensitivity inspection equipment for frequently requiring use of photomultiplier tubes.

Sample Inspection	Biochemistry Enzyme, protein, sugar, lipid
	Immunology Tumor marker, serum protein, hormone, Reagent, virus
	Hematology (Leukocyte, red corpuscle, hemoglobin, platelet) computation, classification, coagulation
	Microbiology Bacteria identification, susceptibility

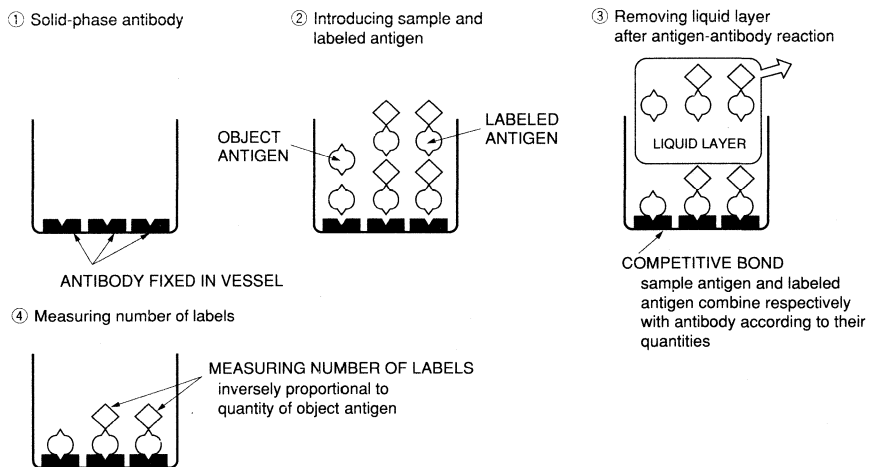
Table 9-3: Classification of in-vitro inspection

Immunoassay, a measurement technique making use of specificity of the antigen-antibody reaction, is widely used. The principles of immunoassay¹⁰⁾ are illustrated in Figure 9-19 below, and the procedures of each method are explained in the subsequent paragraphs.

(a) Sandwich Method



(b) Competitive Method



TPMHC0023EA

Figure 9-19: Principles of immunoassay

Figure 9-19 (a) is a technique known as the sandwich method. Step ①: Samples are introduced into a vessel in which antibodies responding to object antigens (hormones, tumor markers, etc.) are fixed (solid-phase antibody). Step ②: Antigen-antibody reaction occurs, and each object antigen combines with a solid-phase antibody. This reaction has an extremely high singularity and hardly ever occurs with a different antigen. After antigen-antibody reaction, the liquid layer is removed leaving the combined antigen and antibody. Step ③: Labeled antibodies are added, which combine with object antigens. Step ④: Antigen-antibody reaction occurs again so that the object antigen is sandwiched between the antibodies. Then the liquid layer is removed. Step ⑤: The quantity of labels is optically measured using a photomultiplier tube.

Figure 9-19 (b) is another technique called the competitive method. Step ①: Antibodies responding to object antigens are fixed on the bottom of a vessel. Step ②: Samples are added along with the labeled object antigens. Step ③: Competitive reaction in which object antigens and labeled antigens combine with labeled antibodies in proportional to their concentration, reaching a state of equilibrium. After the antigen-antibody reaction, the unnecessary upper layer is removed. Step ④: The quantity of labels as measured using a

photomultiplier tube. In the sandwich method, the higher the concentration of object antigens, the larger the signal. Conversely, in the competitive method, the higher the concentration of the object antigens, the lower the signal.

Immunoassay can be further categorized according to the material used for labeling as follows

- ① Using radioactive isotopes for labeling
 - · · RIA (Radioimmunoassay)
- ② Using enzymes for labeling
 - · · EIA (Enzymeimmunoassay)

9. 4. 1 RIA (Radioimmunoassay) method

(1) Overview

Radioactive isotope (RI) is used for the labeling as was explained above, and radiation (gamma or beta rays) emitting from the RI labels is detected by the combination of a scintillator and a photomultiplier tube, so that the object antigen can be quantitatively measured. Radioactive isotopes most frequently used for labeling are ^3H , ^{14}C , ^{57}Co , ^{75}Se , ^{125}I and ^{131}I . (See Table 9-4.)¹¹⁾ Of these, ^{125}I offers useful characteristics for labeling and is very widely used. Because radioactive isotopes other than ^3H and ^{14}C emit gamma rays, sodium iodide crystals are used as a scintillator, providing a high conversion efficiency.

Radioisotope	Half-life	Energy	Detection Method
^3H	12.26 years	β	Liquid scintillation counting
^{14}C	5730 years	β	Liquid scintillation counting
^{57}Co	270 days	γ	Scintillation crystal
^{75}Se	120.4 days	γ	Scintillation crystal
^{125}I	60 days	γ	Scintillation crystal
^{131}I	8 days	$\beta \cdot \gamma$	Scintillation crystal

Table 9-4: Radioactive isotopes used for labeling in radioimmunoassay

Recently, for in-vitro assays, the quantity of samples and the number of items to be measured are rapidly increasing. To meet this trend, the equipment for radioimmunoassay has been automated. A typical piece of automated equipment in use today is the well scintillation counter¹²⁾ that makes use of sodium iodide scintillators having a well-like hole to enhance the conversion efficiency of the radiation into light. Measurements are made by automatically inserting test tubes, which contain a mixture of antigens and antibodies including labels, into each hole in the scintillator. (See Figure 9-20.) Each detector section including a scintillator is covered by lead shield to block extraneous radiation.

Isotopes ^3H and ^{14}C can be used for labeling; however, because they emit extremely low-energy beta rays, a liquid scintillation counter explained in Section 9.5, is used to make measurements with these two isotopes.

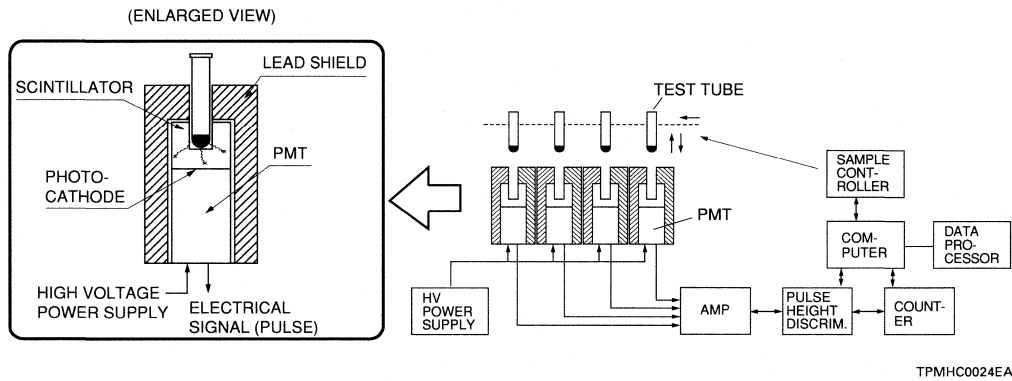


Figure 9-20: Schematic block diagram illustrating a well scintillation counter

(2) Major characteristics required of photomultiplier tubes

Major characteristics required of photomultiplier tubes used for RIA are as follows:

- a) High energy resolution or pulse height resolution (PHR)
- b) High level of stability
- c) Low noise

To obtain high energy resolution, the photomultiplier tube should have high quantum efficiency at the peak emission wavelength (410 nanometers) of the sodium iodide (NaI(Tl)) scintillator. (See Figure 9-16.) In addition, because this application field deals with quite a few samples that emit extremely small amounts of radiation, it is also very important that the photomultiplier tube exhibits sufficiently low noise.

9. 4. 2 EIA (Enzymeimmunoassay) method

(1) Overview

An enzyme is used as a label utilizing the antigen-antibody reaction. As Figure 9-21¹³⁾ shows, RIA offers exceptionally high sensitivity among various immunoassay techniques. However, because it uses radioactive isotopes, various restrictions are imposed on its use. On the other hand, though its sensitivity is inferior to RIA, EIA is more popular because of its easy use. EIA sensitivity is gradually increasing due to improvements in reagents and detection method.

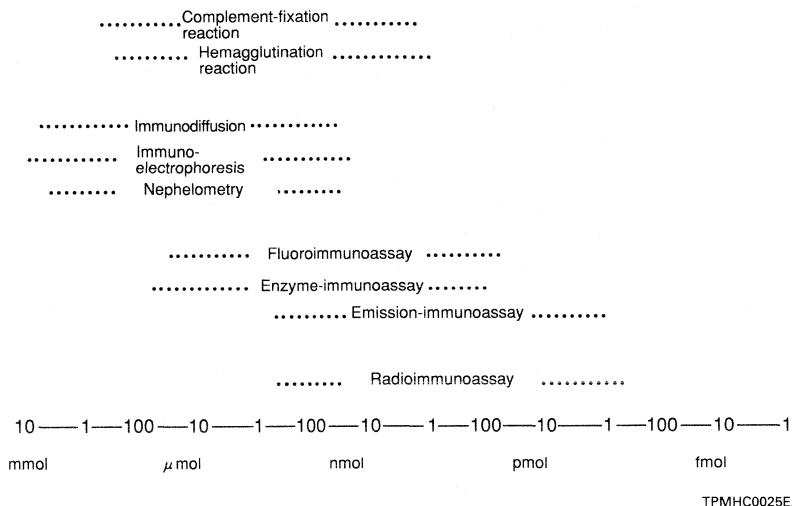


Figure 9-21: Comparison of various immunoassay techniques and measurable concentration range (Use this comparison data just for a general guide.)

In the EIA procedure, an enzyme used as a label in the antigen-antibody mixture in the last step in Figure 9-19 is activated to create a product. Then, color or fluorescence emitted from the product is detected by a photomultiplier tube. (See Figure 9-22.)¹⁴⁾ The extent of color or fluorescent intensity is proportional to the quantity of enzyme (enzyme concentration).

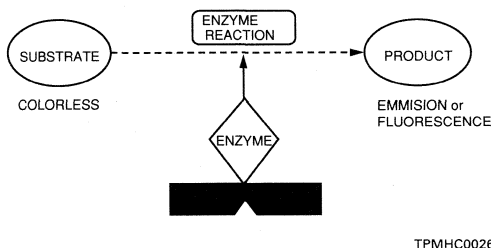


Figure 9-22: Label enzyme reaction

(2) Major characteristics required of photomultiplier tubes

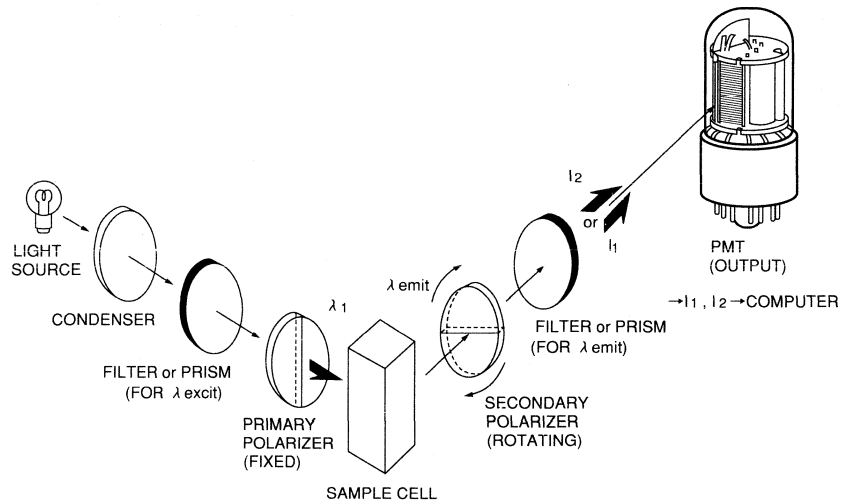
- a) High sensitivity at the wavelength of color or fluorescence emitted from the product of the enzyme reaction
- b) Low dark current
- c) High signal-to-noise ratio
- d) Compact size

9. 4. 3 Other immunoassay methods

(1) Overview

Besides EIA, several non radioactive immunoassay techniques not using radioisotopes are under research and development.

One of these is fluoroimmunoassay in which a fluorescent substance is used for labeling. The final remaining mixture of antigens and antibodies is irradiated by an excitation light and the resulting fluorescence is measured with regard to the intensity, wavelength shift and polarization. This technique offers slightly higher sensitivity than that of EIA. Figure 9-23 shows the schematic of a fluorescence-polarization photometer¹⁵⁾, which is used for fluoroimmunoassay.



TPMHC0027EB

Figure 9-23: Schematic presentation of a fluorescence-polarization photometer

To achieve high sensitivity equal to RIA by using non-radioactive immunoassay, intensive research and development of emission-immunoassay has been carried out. This immunoassay uses a chemiluminous substance or bioluminous substance for labeling and allows the final remaining mixture of antigens and antibodies to emit light, which is detected by a photomultiplier tube. There are three types of emission-immunoassay methods, as follows:

- ① Use of a chemiluminous substance such as luminol and acridinium for labeling
- ② Use of chemiluminescence or bioluminescence for activation of the label enzyme used in EIA
- ③ Use of a catalyst for the bioluminescence reaction

Methods ② and ③ can be thought of as kinds of EIA techniques. As shown in Figure 9-21 previously, emission-immunoassay is a high sensitivity equivalent to RIA.

(2) Major characteristics required of photomultiplier tubes

Fluoroimmunoassay

- a) High sensitivity at fluorescent wavelengths
- b) High level of stability
- c) Low dark current
- d) High signal-to-noise ratio
- e) Compact size

Emission-immunoassay

- a) High sensitivity at emission wavelengths
- b) Excellent single-photoelectron pulse height distribution
- c) Low dark current pulse
- d) High current amplification
- e) Compact size

9. 5 Liquid Scintillation Counting Systems**9. 5. 1 Overview**

Among the various radiation detecting methods, the liquid scintillation counting system is primarily used for detection of alpha and beta rays. This is because this system provides higher sensitivity to alpha and beta rays compared to other methods and also offers low background, enabling highly accurate measurement. Photomultiplier tubes are essential for detecting exceptionally low level light resulting from low-energy alpha and beta rays.

Liquid scintillation counting systems are used in diverse applications. One of their major applications is in tracer analysis using radioactive isotopes such as ^3H and ^{14}C as a label, which is referred to in Section 9.4.1, "RIA (Radioimmunoassay)". This tracer analysis is effectively used for diagnosis of biofunctions and diseases. The schematic block diagram of a liquid scintillation counting system is shown in Figure 9-24.

There are many other applications of liquid scintillation counting, including Cherenkov radiation detection, age measurement and rock analysis. Beta energy released from ^3H or ^{14}C is very low and, moreover, the corresponding emission from the liquid scintillator is also extremely low in comparison with those from crystal scintillators. For this reason, photomultiplier tube background noise has a large influence on the measurement accuracy. A coincidence counting circuit is used to eliminate this background noise. As Figure 9-25¹⁶⁾ shows, the coincident outputs from a pair of photomultiplier tubes are counted as a signal from the sample. Because the possibility that noise from individual photomultiplier tubes will simultaneously enter the coincidence counting circuit is extremely low, the signal can be separated from the noise with a high degree of accuracy.

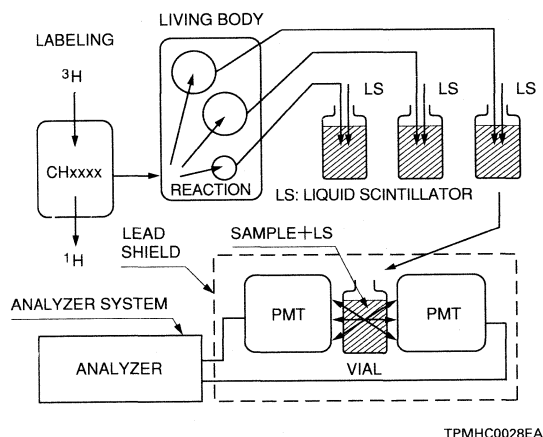
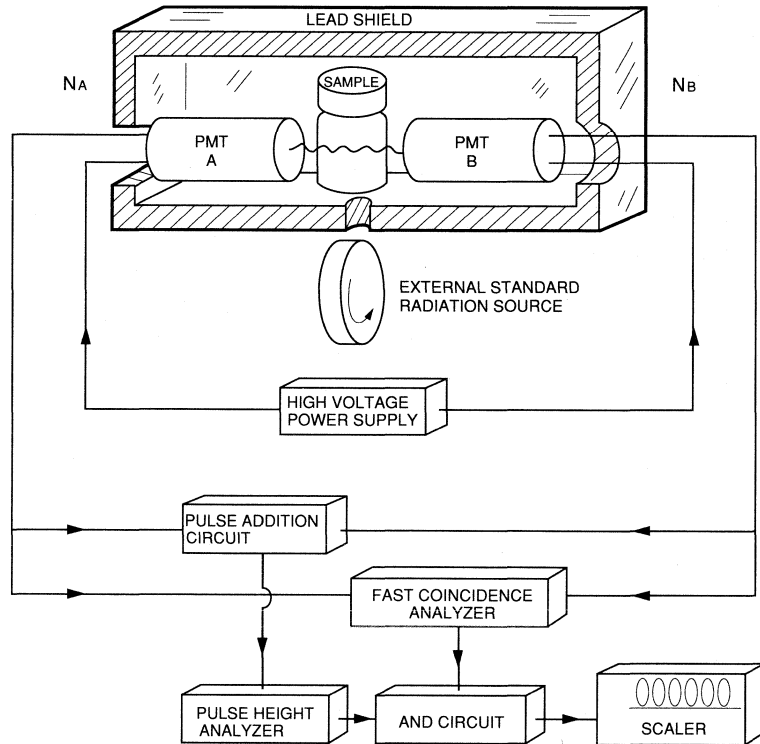


Figure 9-24: Schematic block diagram of the tracer analysis (liquid scintillation counting system)



TPMHC0029EB

Figure 9-25: Basic construction of a liquid scintillation counting system

9. 5. 2 Major characteristics required of photomultiplier tubes

The following characteristics are required of photomultiplier tubes used for liquid scintillation counting systems.

- a) Low thermionic emission noise
- b) Low scintillation of the faceplate or side bulb of a photomultiplier tube
- c) High-speed time response
- d) High quantum efficiency
- e) Excellent linearity
- f) High current amplification

Liquid scintillation counting places even more stringent demands on photomultiplier tube characteristics in comparison with other applications. For instance, item b) above, is not so severe in other applications but is extremely important for liquid scintillation counting as it determines the system performance. As shown in Figure 9-25, the pulse counting technique known as the coincidence counting is effectively used to reduce noise to as low a level as 15cpm (counts per minute). Even so, if glass scintillation occurs and a resulting noise of several cpm is generated, the signal-to-noise ratio will significantly deteriorate. Therefore, glass bulbs causing minimum scintillation are selected. Because such scintillation from the glass is mainly caused by radioisotope elements contained in the glass, these glass bulbs must contain very small amounts of such elements. For this purpose, silica glass bulbs which basically contain no impurities are often used.

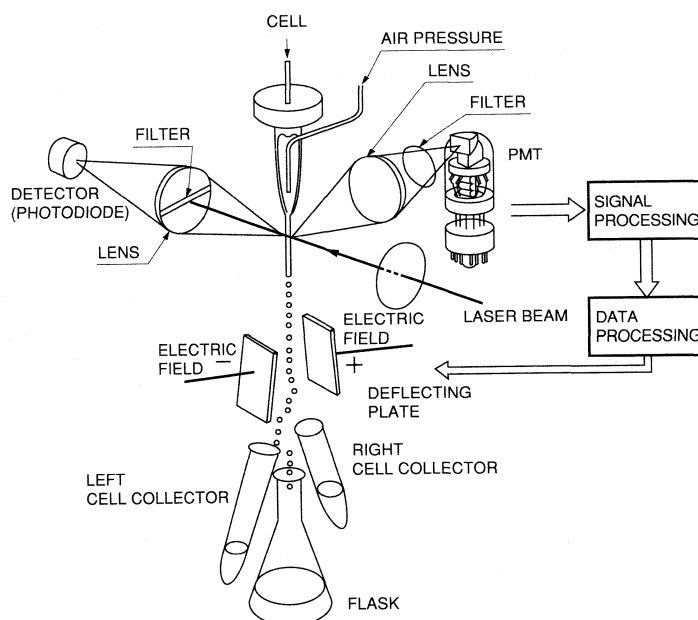
9.6 Biotechnology

In life science applications, photomultiplier tubes are mainly used for detection of fluorescence and scattered light. Major equipment used for life science includes cell sorters, fluorometers and DNA sequencers.

9.6.1 Overview

(1) Cell sorters

When light is irradiated onto a rapidly flowing solution which contains cells or chromosomes, a scattered light or fluorescence is released from the cells or chromosomes. By analyzing this scattered light or fluorescence, it is possible to elucidate cell properties and structures and separate the cells based on these properties. This field is known as flow cytometry. A cell sorter like the one illustrated in Figure 9-26 is most frequently used. The cell sorter is an instrument that selects and collects only specific cells labeled by a fluorescent substance from a mixture of cells in a solution.



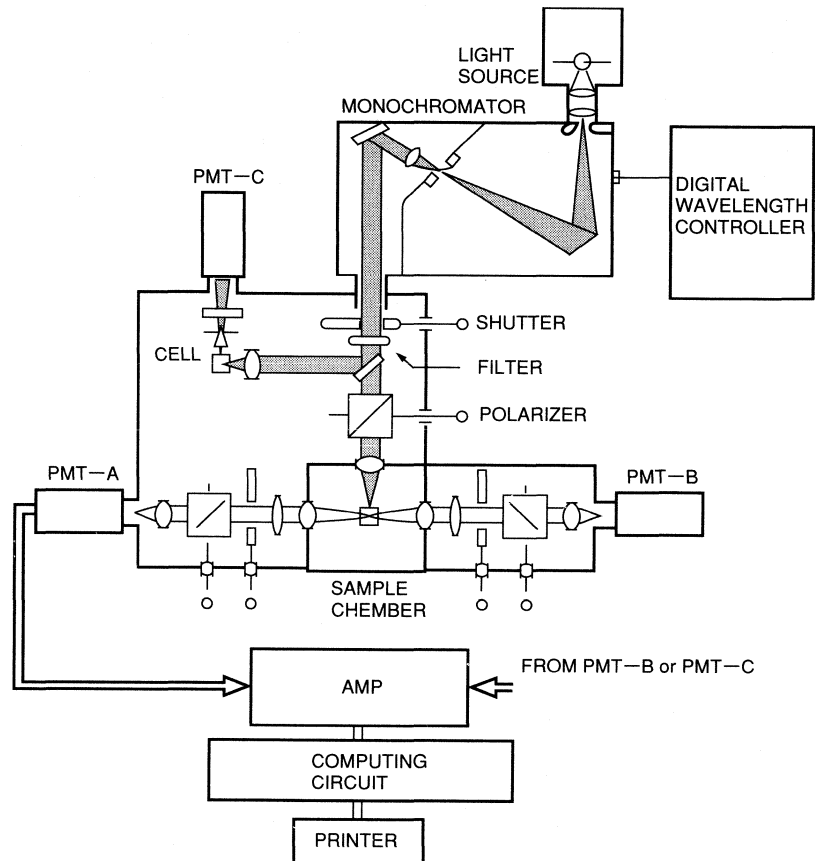
TPMOC0025EA

Figure 9-26: Major components for a cell sorter

In a cell sorter, a fluorescent probe is first attached to the cells. The cells pass through a thin tube at a fixed velocity. When each cell passes through a small area onto which an intense laser beam is focused, the fluorescence is emitted from the cell and is detected by a photomultiplier tube. The photomultiplier tube outputs an electrical signal in proportion to the number of fluorescent molecules attached to each cell. At the same time, the laser beam light is scattered forward by the cell, and detecting this scattered light gives information on the cell volume. After processing these two signals, the cell sorter creates an electrical pulse that deflects a drop of liquid, containing the desired cell into one of the collection tubes.

(2) Fluorometers

While the ultimate purpose of the cell sorter explained above is to separate cells, the fluorometer¹⁷⁾ is used to analyze cells and chemical substances by measuring the fluorescence or scattered light from a cell or chromosome with regard to such factors as the fluorescence spectrum, fluorescence quantum efficiency, fluorescence anisotropy (polarization) and fluorescence lifetime. (See Figure 9-27.)



TPMOC0026EA

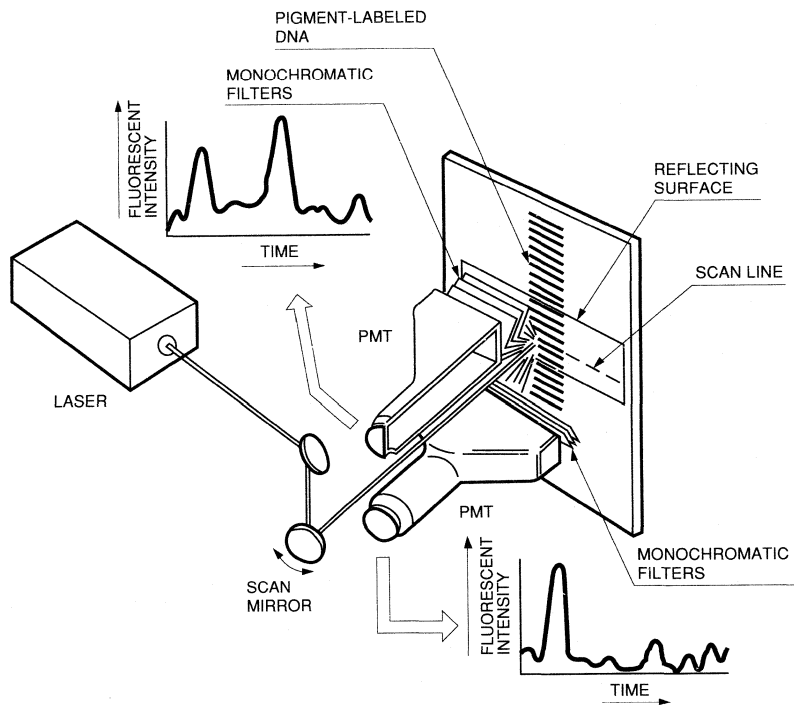
Figure 9-27: Automatic fluorescence-depolarization photometer

The basic configuration of the fluorometer is nearly identical with that of the fluorospectrophotometer and thus a description is omitted here. There are a variety of models of fluorometers which are roughly categorized into: filtering fluorescence photometers, spectrofluorescence photometers, compensated-spectrofluorescence photometers, fluoroanisotropy analyzers, and phase fluorescence lifetime measurement systems. Of these, the fluoroanisotropy analyzer is an instrument specially dedicated to measurement of fluorescence-depolarization.

When performing research on biological samples such as proteins, nucleic acid and lipid membranes, rotational relaxation of a fluorescent molecule takes place only slowly and the fluorescence is polarized in most cases. It is still necessary to compensate for the effect of fluorescence depolarization when measuring quantum efficiency and spectrum. For this purpose, the automatic fluorescence-depolarization photometer uses a pair of photomultiplier tubes which detect the two polarized components at the same time.

(3) DNA sequencers

This is an instrument used to decode the base arrangement of DNA extracted from a cell. The principle of a DNA sequencer is shown in Figure 9-28. An extracted DNA segment is injected onto gel electrophoresis plate along with a fluorescent label which combines with the DNA. When an electric potential is applied across the gel, the DNA begins to migrate and separate based on size and charge. When the DNA segment reaches the position of the scanning line, it is excited by a laser, causing only the portion with the labeling pigment to give off fluorescence. This fluorescent light is passed through monochromatic filters and detected by photomultiplier tubes. Computer-processing of the position at which the fluorescence has occurred gives information on where the specific bases are located. The DNA sequencer is used for the genetic study of living organisms, research into the cause and treatment of genetic diseases and decoding of human genes.



TPMOC0027EA

Figure 9-28: Principle of a DNA sequencer

9.6.2 Major characteristics required of photomultiplier tubes

Because the photomultiplier tube detects very-low fluorescence emitted from a cell or DNA, the following characteristics are required of photomultiplier tubes as in the case of spectrophotometry.

- a) High stability
- b) Low dark current
- c) High signal-to-noise ratio
- d) Wide spectral response
- e) Low hysteresis
- f) Excellent polarization properties

9.7 High-energy physics experiments

Photomultiplier tubes are widely used as detectors in high-energy physics experiments.

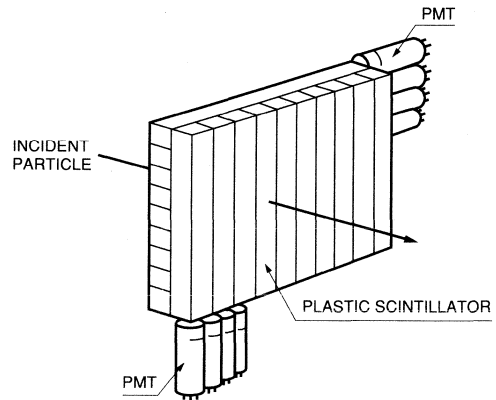
When a charged particle passes through a scintillator, a light flash is given off in accordance with the particle energy. Detecting this light flash makes it possible to measure the energy, speed and direction of the charged particle. This technique is absolutely essential in high-energy physics research which is constantly aiming for the ultimate in scientific technology.

9.7.1 Overview

For high-energy particle detection, photomultiplier tubes are used in a variety of equipment, such as a hodoscope, TOF counter, Cherenkov counter and calorimeter. Photomultiplier tubes are also used in proton decay and neutrino detections where a great number of large-diameter tubes are required.

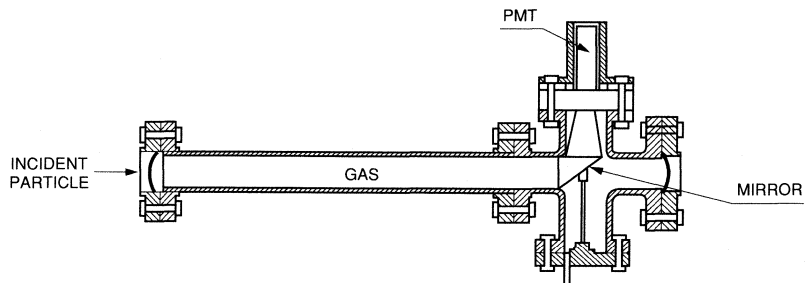
Figure 9-29 shows the schematic diagram¹⁸⁾ of a hodoscope. Plastic scintillators are arrayed in two orthogonal layers followed by photomultiplier tubes. The position and time at which a charged particle passes through certain scintillators are detected by the corresponding photomultiplier tubes.

Figure 9-30 illustrates the construction of a gas Cherenkov counter¹⁹⁾. When a particle passes through the gas, Cherenkov radiation is produced and detected by a photomultiplier tube.



TPMHC0030EA

Figure 9-29: Schematic diagram of a hodoscope



TPMHC0031EA

Figure 9-30: Construction of a gas Cherenkov counter

Figure 9-31 shows the schematic diagram of a scintillator lamination calorimeter²⁰⁾. When a particle beam passes through the scintillators, a series of scintillations are produced and detected by the respective photomultiplier tubes.

Figure 9-32 shows the construction of a lead glass calorimeter and shower counter²¹⁾. The total energy of an incident particle is measured by detecting Cherenkov radiation produced in the lead glass.

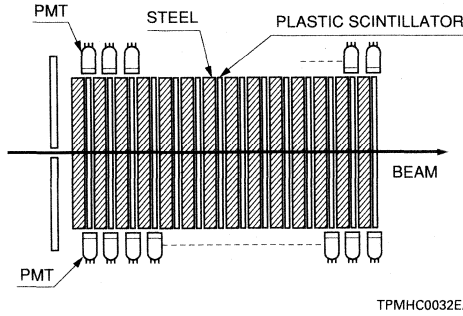


Figure 9-31: Schematic diagram of a scintillator lamination calorimeter

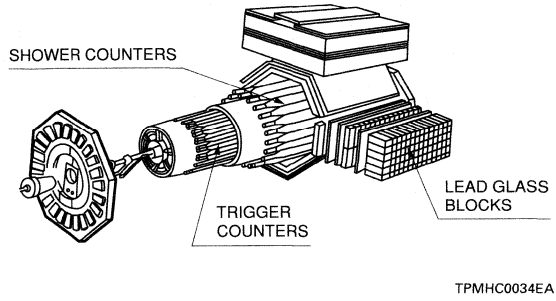


Figure 9-32: Lead glass calorimeter

Figure 9-33 illustrates the schematic construction of proton decay experiment presently being performed in Kamioka, Japan. A 50,000-ton tank of super-purified water has been surrounded by more than ten-thousand, 20-inch diameter, hemispherical photomultiplier tubes. The photomultiplier tubes are used to constantly detect Cherenkov radiation that is supposed to be emitted when proton decay occurs in the water. With this experiment, neutrinos released from the sun or a supernova as it bursts have been successively detected.

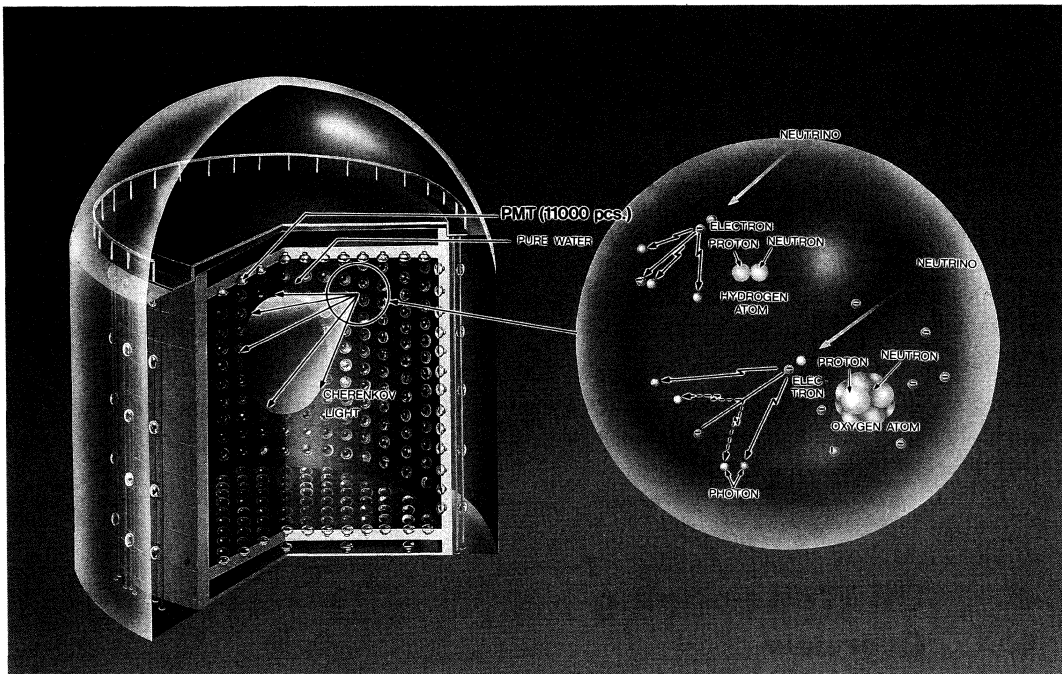


Figure 9-33: Proton decay experiment KAMIOKANDE II, Japan

9. 7. 2 Major characteristics required of photomultiplier tubes

The following characteristics are required of photomultiplier tubes used in the vicinity of an accelerator.

- a) High energy resolution or pulse height resolution (PHR)
- b) Good pulse linearity
- c) Excellent time properties
- d) High magnetic immunity
- e) Long life and high stability

For photomultiplier tubes used in proton decay and neutrino detection, the following characteristics are required:

- f) Large diameter (wide effective field-of-view)
- g) Low noise

To obtain high energy resolution, it is important that the photomultiplier tube must have high absolute sensitivity in the emission wavelength range of the scintillator to be used. Moreover, because a wide range of light levels need to be measured at the same time in high-energy physics experiments, pulse linearity characteristics are also important. (Refer to Section 3.3.2, "Linearity" and Section 7.1.3, "Bleeder current and output linearity" .)

In TOF counters in which the traveling time of a particle is measured, time properties are very important factors to consider. (Refer to Section 3.3.1, "Timing properties" .) In general, photomultiplier tubes using a linear-focused dynode structure are frequently used in TOF counters because of superior time properties as compared to photomultiplier tubes using other dynodes.

When photomultiplier tubes are used in the vicinity of an accelerator, their magnetic characteristics are significant because stray magnetic fields may be generated there. As discussed in the section on magnetic characteristics, photomultiplier tubes using fine-mesh dynodes display high immunity to magnetic fields, thus making them suitable for use in environments where magnetic fields are present.

In proton decay and neutrino detection, because the frequency of signal occurrence is very low, exceptionally low noise qualities are required of photomultiplier tubes. Furthermore, each photomultiplier tube should cover a wide detection area, so large-diameter tubes with a wide field-of-view are required. Hemispherical photomultiplier tubes with a large diameter from 5, 8, 15 up to 20 inches are available from Hamamatsu Photonics.

Cherenkov radiation provides higher intensity at short wavelengths, thus photomultiplier tubes used for this application must have high ultraviolet sensitivity. Also, since Cherenkov radiation is very low, a photon counting technique is usually used.

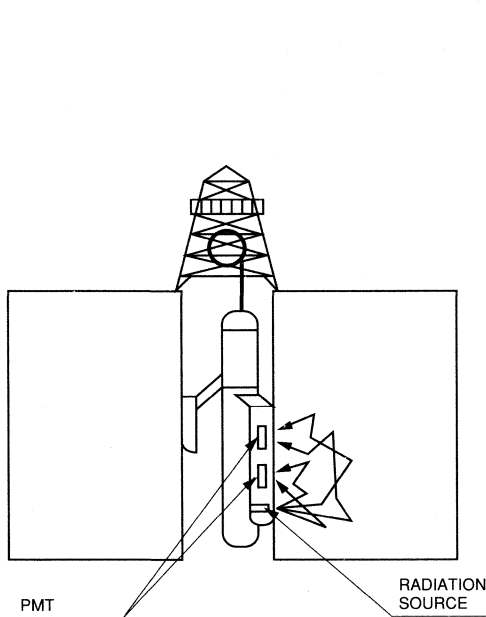
9. 8 Oil Well Logging

9. 8. 1 Overview

Special photomultiplier tubes capable of operating reliably in harsh environments including high temperature and severe vibration and shock have been developed. This section explains oil well exploration (oil well logging) as a sample application of these special tubes.

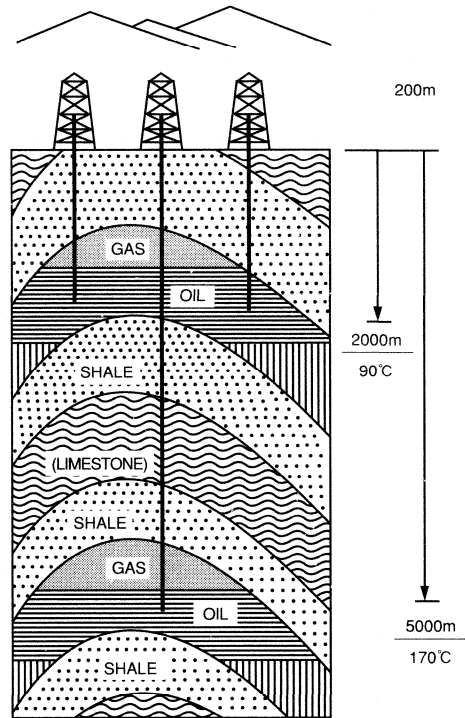
To locate an oil deposit and to determine its size, oil well logging is used. This technique makes use of photomultiplier tubes as detectors for density well logging using radiation, neutron well logging and natural gamma-ray-spectrum well logging. In these well loggings. A probe containing a neutron or gamma ray source is lowered into a well as it is being drilled. The radiation or the neutrons that are scattered by the rock surrounding the well are detected by a scintillator/photomultiplier. The amount of scattered radiation detected is indicative of the density of the rock that surrounds the well. The scattered neutrons indicate the porosity of the rock which is required to ascertain if the oil can be removed. Naturally occurring gamma rays are

detected to locate shale which indicates the presence of oil or gas. Figure 9-34 shows the measurement method²²⁾ for oil well logging using radiation, and Figure 9-35 shows the cross sectional view²³⁾ of the strata layers around an oil well site.



TPMHC0035EA

Figure 9-34: Measurement method for oil well logging using radiation



TPMHC0036EA

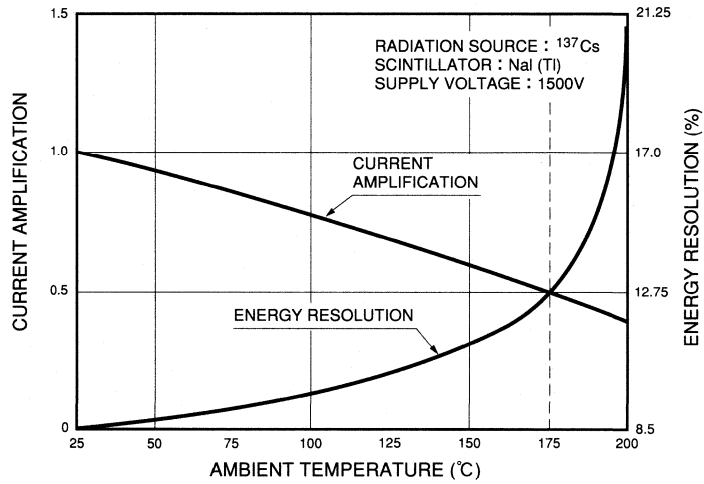
Figure 9-35: Cross sectional view of strata layers around an oil well

9. 8. 2 Major characteristics required of photomultiplier tubes

The depth of a trial hole may be as deep as several thousand meters where the ambient temperature reaches as high as 150 to 200°C. In addition, shock and vibration are also applied to the photomultiplier tubes, imposing an extremely severe environment on the photomultiplier tubes. Normal photomultiplier tubes cannot survive under these conditions and therefore specially designed photomultiplier tubes are required.

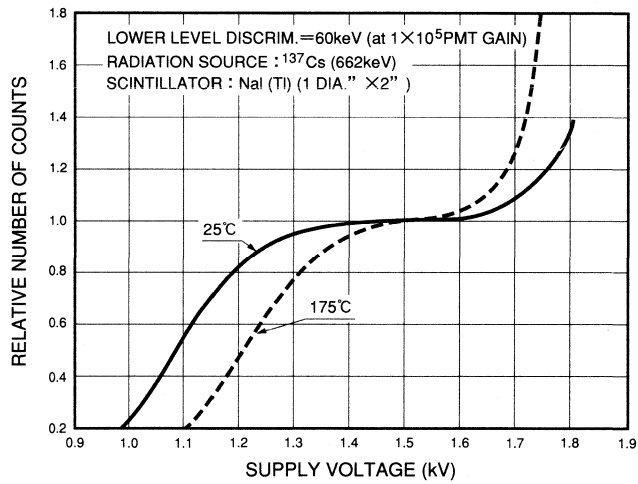
To meet these requirements, various types of ruggedized, high-temperature photomultiplier tubes have been developed which ensure adequate performance even under these severe environments. These photomultiplier tubes have a special photocathode that exhibits a minimal increase in dark current even at high temperatures and, in the multiplier section, copper-beryllium (Cu-Be) dynodes capable of withstanding high temperatures are employed. Furthermore, the electrode structures are designed with careful consideration given to the effects of thermal expansion and vibration.

As typical characteristics, current amplification and energy resolution (pulse height resolution)²⁴⁾ with respect to temperature are plotted in Figure 9-36 and plateau characteristics²⁵⁾ at different temperatures are shown in Figure 9-37. Also, typical time stability data²⁶⁾ of anode output current at different temperatures is shown in Figure 9-38.



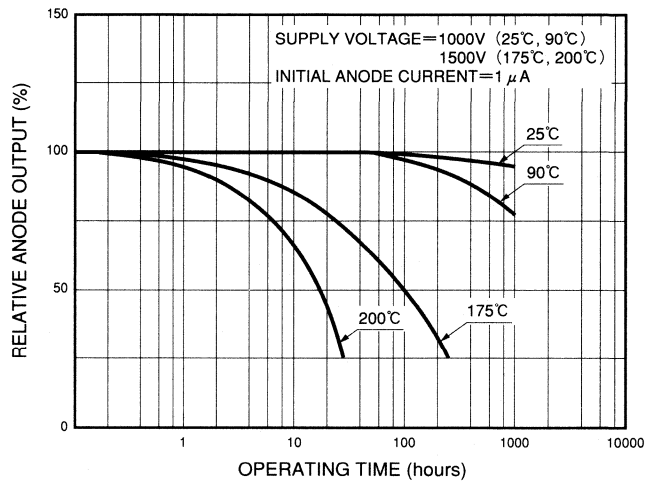
TPMHB0066EA

Figure 9-36: Current amplification and energy resolution with respect to temperature



TPMHB0067EA

Figure 9-37: Comparison of plateau characteristics at different temperatures



TPMHB0065EA

Figure 9-38: Time stability of anode current at different temperatures

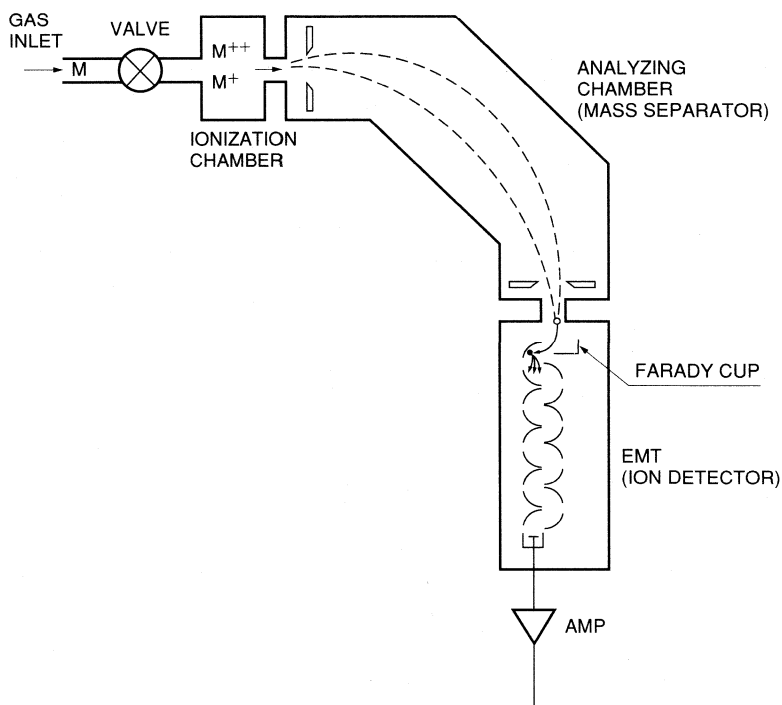
9. 9 Mass Spectroscopy/Solid Surface Analysis

By irradiating a thin beam of electrons, ions, photons or X-rays onto the surface of a substance and measuring the resultant secondary electrons, reflected electrons, Auger electrons, photoelectrons, secondary ions or X-rays, it is possible to study the composition and makeup of the surface molecules. With the expansion of semiconductor industry, these techniques have become essential for detection of defects, surface analysis, and measurements of absorption and concentration profiles of semiconductors.

9. 9. 1 Mass spectrometers

(1) Overview

Mass spectrometers are widely used in qualitative and structural analyses of sample molecules. A mass spectrometer consists of three sections: an ionizer chamber, mass separator and ion detector. Its schematic construction is shown in Figure 9-39.



TEMCO017EA

Figure 9-39: Schematic construction of a mass spectrometer

Gas molecules or heat-vaporized molecules to be analyzed are sent to the ionization chamber where they are bombarded by electrons of about 100eV energy. These ionized samples are separated by the mass separator in decreasing order of the M/e ratio, the ratio of the mass (M) to the charge (e). The separated ion current is detected by the ion detector (electron multiplier) and the output is derived as a mass spectrum. A Faraday cup can be used in place of the electron multiplier, however, electron multipliers are more commonly used to achieve a higher detection limit and signal-to-noise ratio. The mass separator can be classified by the mass separating principle into magnetic field dispersion type, quadrupole type, or time-of-flight type. Each method has both merits and demerits. Another method called the double-focusing type provides higher resolution by prefocusing the ion beam in the electrical field and then focusing it in the magnetic field. Figure 9-40 illustrates the schematic diagram of a double-focusing mass analyzer coupled to a gas chromatograph²⁷⁾.

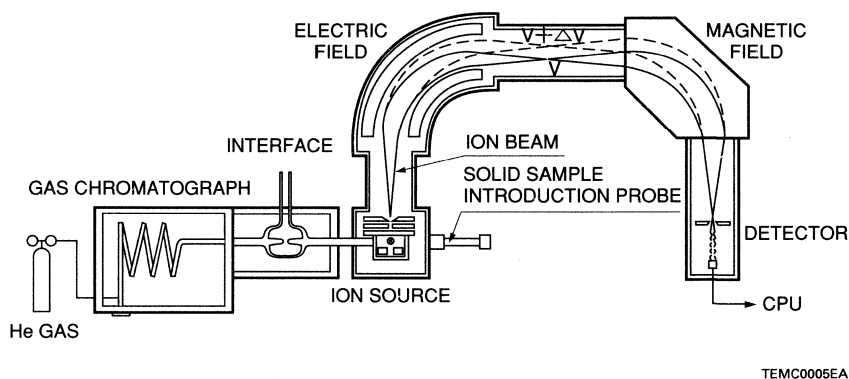


Figure 9-40: Schematic diagram a double-focusing mass analyzer coupled to a gas chromatograph

Mass spectroscopy offers the following advantages:

- (1) Molecular weight can be determined even with small amounts of sample.
- (2) Sample can be identified from the molecular weight and reference spectrum pattern, if the sample is predictable.
- (3) When a high molecular weight polymer is electron-bombarded in the ionization chamber, it fragments. The molecular structure can then be estimated by analyzing the fragmentation pattern.
- (4) Isotopes can also be separated and detected.

In the case of a mixed sample, the mass spectrum would be complicated. So gas chromatography is often used to separate the sample according to the type of gas before analyzing the mass. The setup shown in Figure 9-40 above is intended for this purpose.

In addition, the mass spectrometer coupled to an emission spectrophotometer referred to in Section 9.1 is now in use.

(2) Major characteristics required of electron multiplier tubes

- a) Long-term stability, long service life
- b) High gain
- c) Replaceable first dynode
- d) Low outgasing

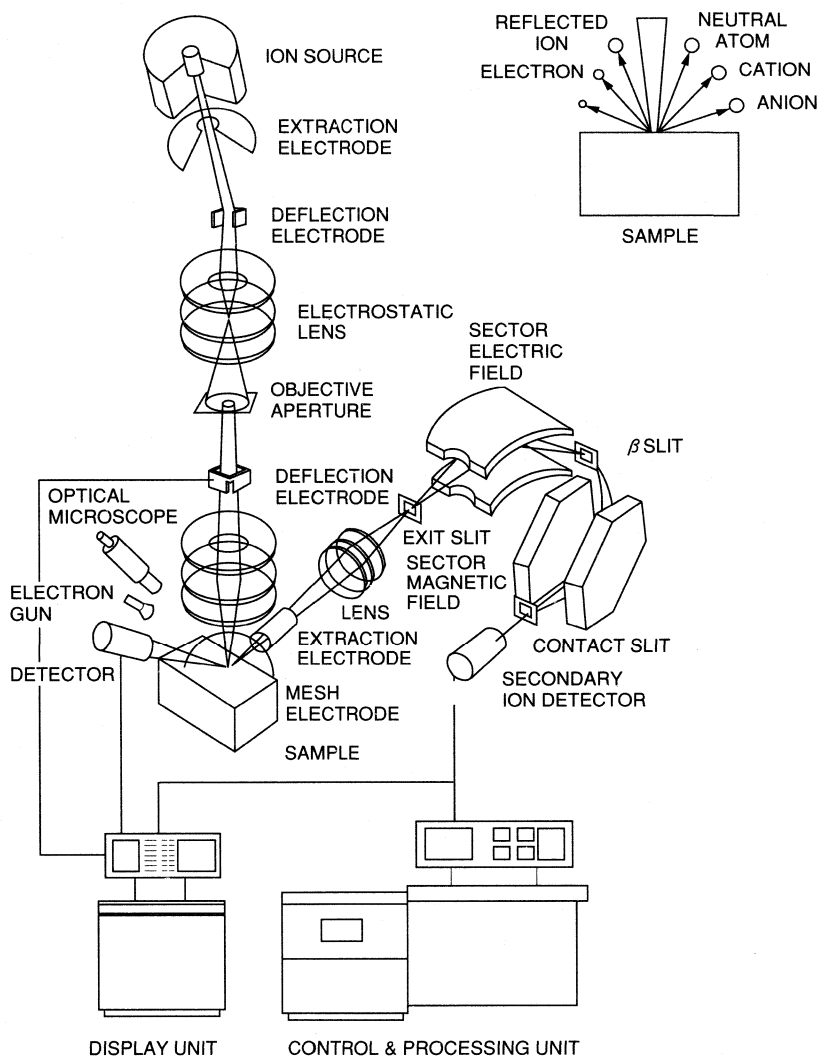
9.9.2 Solid surface analyzers

(1) Overview

When a solid surface is irradiated with electrons, ions or X-rays, secondary electrons, ions or X-rays are emitted from the surface. Detecting and analyzing these secondary particles or electromagnetic waves gives information on the solid surface. There are various analysis techniques available, including Auger electron spectroscopy (AES), electron spectroscopy for chemical analysis (ESCA), secondary ion mass spectroscopy (SIMS), ion-microprobe mass analysis (IMA) and so on.

The AES uses an electron beam to excite a solid sample and detects the resulting Auger electrons emitted from the surface. The ESCA uses an X-ray beam to excite a sample and similarly detects the resultant photoelectrons emitted from the surface. Measuring the

energy distribution of these Auger electrons or photoelectrons gives information on the types of elements on the solid surface and their chemical bonds. The secondary ion mass spectrometer²⁸⁾ used in SIMS utilizes argon ions as primary particles to irradiate a solid sample and detects the sputtered ions from the sample for analyzing the elements on the surface.



TEMCO006EA

Figure 9-41: Principle of a secondary ion mass spectrometer

Since these methods provide information on the sample surface up to several nanometers deep, use of a sputter ion gun enables accurate analysis below the surface.

(2) Major characteristics required of electron multiplier tubes

- a) High detection efficiency
- b) Low noise
- c) High gain
- d) Excellent uniformity

Because solid surface analysis systems usually deal with extremely small signal amounts in comparison with gas analyzers, the photon counting technique is often employed. This requires high resolution in single-ion or single-photoelectron pulse height distribution from the electron multiplier tube being used. Therefore the following factors are important for the electron multiplier tube: high sensitivity of the first dynode with respect to the incident particles, and high secondary-electron collection efficiency. These characteristics should be independent of the position of the input beam on the first dynode (good uniformity). It is also advisable that the incident particles be focused onto a position of the first dynode where collection efficiency is maximum.

9. 10 Environmental Measurement

Photomultiplier tubes are also used as detectors in environmental measurement equipment, for example, in dust counters used to detect dust contained in air or liquids, and radiation survey monitors used in nuclear power plants. This section explains some of these applications.

9. 10. 1 Dust counters

(1) Overview

A dust counter measures the concentration of floating dust in the atmosphere or inside a room by making use of principles such as light scattering and absorption of beta rays. Figure 9-42²⁹⁾ shows the principle of a dust counter using light scattering. If dust is present in the light path, light is scattered by the dust. The quantity of this scattered light is proportional to the quantity of dust. The scattered light is detected by a photomultiplier tube and after being integrated, the output signal is converted into a pulse signal, which then corresponds to the mass concentration. This method offers an advantage that the output signal can immediately follow changes in the concentration, making it suitable for continuous operation to monitor the change over time. However, this method has a disadvantage in that even if the mass concentration is constant, the quantity of scattered light varies with such factors as particle shape and the refractive index.

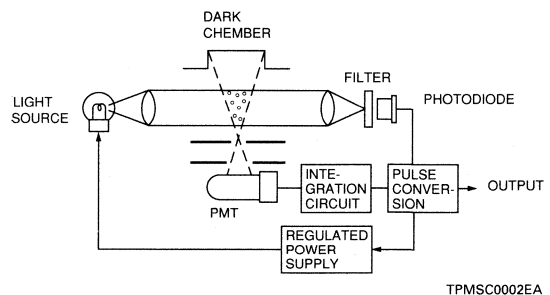


Figure 9-42: Block diagram illustrating a dust counter using light scattering

Another dust counter makes use of the absorption of beta rays which is proportional to the mass of a substance through which the beta rays are transmitted. A filter paper is used to collect the dust, and the difference in the amount of beta-ray absorption before and after collecting the dust are compared to determine the mass.

(2) Major characteristics required of photomultiplier tubes

Since dust counters measure low levels of light, the following characteristics are required of photomultiplier tubes.

- a) Less spike noise
- b) High quantum efficiency
- c) High current amplification

9. 10. 2 NO_x analyzers

(1) Overview

These instruments are used to measure nitrogen oxide (NO_x), an air-polluting gas contained in exhaust gases from automobiles and other internal combustion engines. NO_x is a general term indicating nitrogen monoxide (NO) and nitrogen dioxide (NO₂) and, in many countries, the concentration of NO_x is limited by air pollution regulations so that it shall not exceed a certain level.

Figure 9-43 shows the configuration of an NO_x analyzer making use of chemiluminescence³⁰. When NO gas reacts with ozone (O₃) to become NO₂ gas, chemiluminescence is released. The intensity of this chemiluminescence is proportional to the concentration of NO_x. Since other gases contained in the exhaust gas do not produce such luminescence, the NO_x concentration can be selectively measured by detecting the intensity of this chemiluminescence.

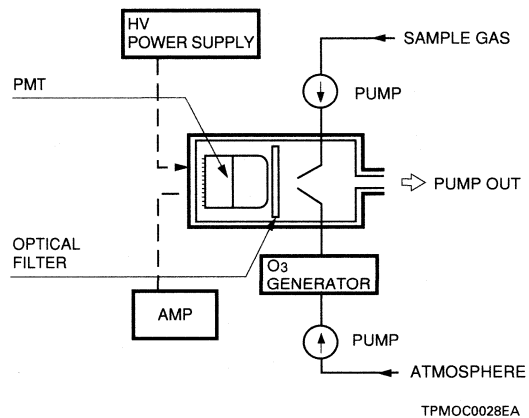


Figure 9-43: NO_x analyzer utilizing chemiluminescence

(2) Major characteristics required of photomultiplier tubes

The following characteristics are required because this chemiluminescence increases at 600 nanometers and extends into the infrared region.

- a) High quantum efficiency in the infrared region
- b) Low noise

9. 10. 3 Turbidimeters

(1) Overview

When floating particles are contained in a liquid, light incident on the liquid is absorbed, scattered or refracted by these particles. It looks cloudy or hazy to the human eye. To express the clarity of such liquid, the term "turbidity" is used. A turbidimeter is a device that numerically measures the turbidity by using light transmission or scattering. There are various methods as explained below:

- ① Transmitted-light method
 - a) Transmitted-light method
 - b) Transmitted/scattered-light method

- ② Scattered-light method
- Forward scattered-light method
 - Backward scattered-light method
 - Surface scattered-light method

The principles of the surface scattered-light method³¹⁾ and the transmitted/scattered-light method³²⁾ are shown in Figures 9-44 and 9-45, respectively. Either method uses a photomultiplier tube as the photodetector. In the surface scattered-light method, a light beam illuminates the surface of the liquid and the intensity of the light scattered from near the surface is measured. This method facilitates a wide range of measurement points by changing the position at which the light beam is incident. Since the light beam directly strikes the liquid surface, there will be less measurement errors which may otherwise be caused by reflective objects such as a window. However, errors may occur when measuring a colored liquid. The transmitted/scattered-light method measures the ratio between the transmitted and scattered light. No error occurs even when measuring a colored liquid, but dirt or stains on the window may affect the measurement accuracy.

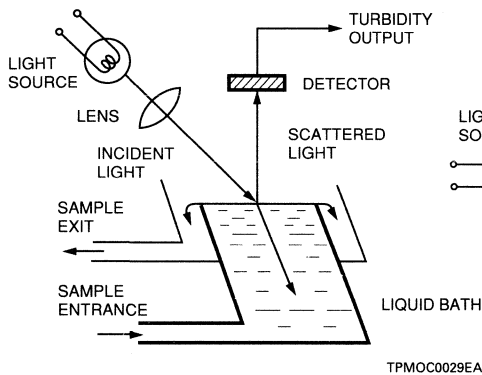


Figure 9-44: Turbidimeter using the surface scattered-light method

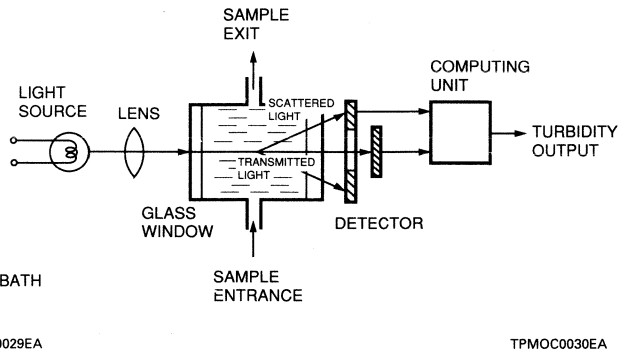


Figure 9-45: Turbidimeter using the transmitted/scattered-light method

(2) Major characteristics required of photomultiplier tubes

Major characteristics required of the photomultiplier tubes used for turbidimeters are as follows:

- Low noise
- High quantum efficiency
- High current amplification

9. 10. 4 Door monitors

(1) Overview

As the name implies, the door monitor is installed near the exit door in the monitored area of a nuclear power plant, in order to check the personnels going out of this area for contamination by radioactive material. A photomultiplier tube is used in conjunction with a scintillator to detect radiation released from the radioactive material. An example³³⁾ of a door monitor is shown in Figure 9-46. The detector section consists of an array of scintillators coupled to photomultiplier tubes, enabling simultaneous measurement of the location and extent of contamination. Since the number of signals to be detected is usually very low, a coincidence counting circuit is used as in the case of scintillation counting to minimize erroneous signal counting.

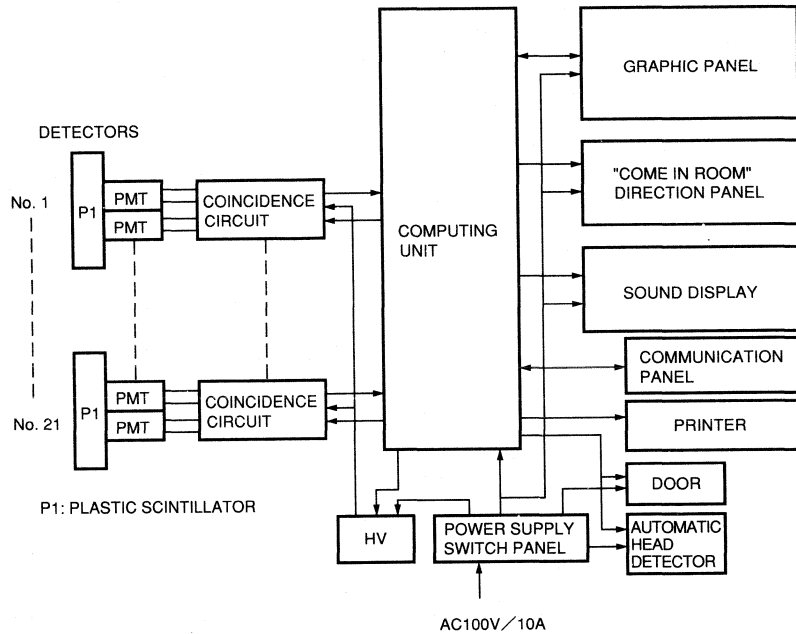


Figure 9-46: Block diagram of a door monitor

(2) Major characteristics required of photomultiplier tubes

Because the number of signals to be detected is very low and, further, the amount of light detected by one photomultiplier tube is small, the following characteristics are required of each photomultiplier tube:

- a) High quantum efficiency
- b) Low noise
- c) High energy resolution or pulse height resolution (PHR)
- d) High current amplification

9. 11 Applications to Laser Measurement

Recently, lasers are being applied to a wide range of measurement and processing applications owing to their superior advantages such as spatial or temporal coherency and high optical power.

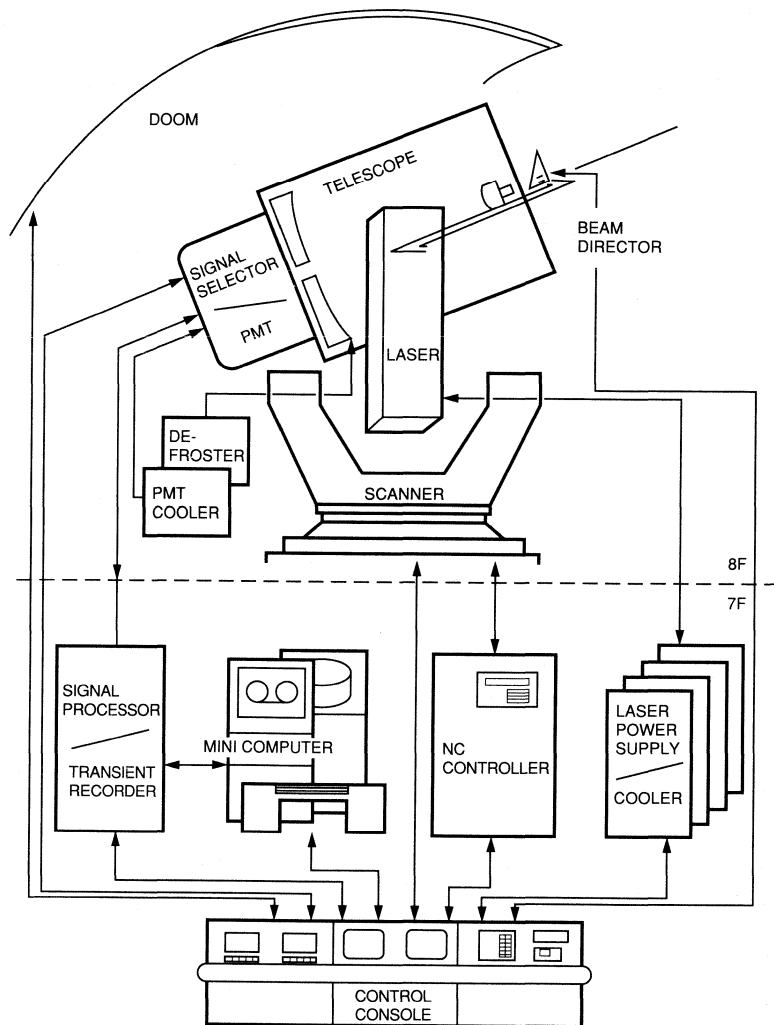
Applications utilizing lasers can be classified as follows:

- ① Measurement
Rangefinder, laser radar, holography, laser chemistry, medical measurement
- ② Data processing
Optical communications, optical data processing
- ③ Energy sources
Laser processing, laser fusion, laser scalpel

This section explains typical applications of photomultiplier tubes used in laser measurements and major characteristics required of the photomultiplier tubes.

9. 11. 1 Overview

Laser measurement applications using photomultiplier tubes include laser radars for rangefinding and atmospheric observation and laser spectroscopy such as fluorescence lifetime measurement. For signal processing in these measurements, the photon counting mode is widely used rather than analog mode, in order to improve the signal-to-noise ratio and enhance the detection limit. Furthermore, time correlated photon counting (TCPC) technique is employed in picosecond measurements such as fluorescence lifetime determination. Figure 9-47 illustrates the block diagram of a laser radar used for atmospheric observation³⁴⁾, installed at the National Environmental Pollution Laboratory, Tsukuba, Japan.



TPMOC0031EA

Figure 9-47: Block diagram of a laser radar for atmospheric observation

9. 11. 2 Major characteristics required of photomultiplier tubes

The following characteristics are required of photomultiplier tubes used in this field:

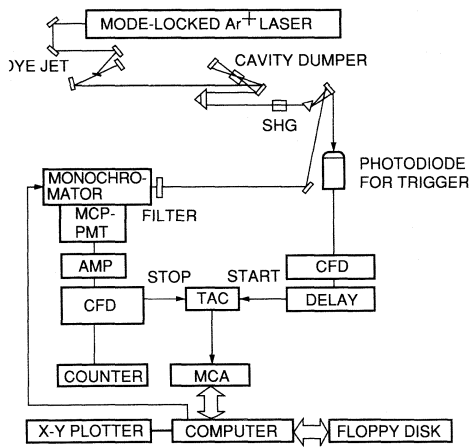
- Fast time response
- Low noise
- High current amplification

Of these, time response is the most important factor. With the development of laser technology, photomultiplier tubes with faster time response are in greater demand. In particular, electron transit time spread (TTS) is important for picosecond resolution in measuring fluorescence lifetime.

The TTS property is greatly affected by CTTD and wavelength effects (Refer to Section 3.3.1, "Timing properties"). These effects sometimes cause significant problems in normal photomultiplier tubes using discrete dynodes, but create very few problems with an MCP-PMT. Normally, noise should be as low as possible to achieve a high signal-to-noise ratio and especially, the dark count must be small.

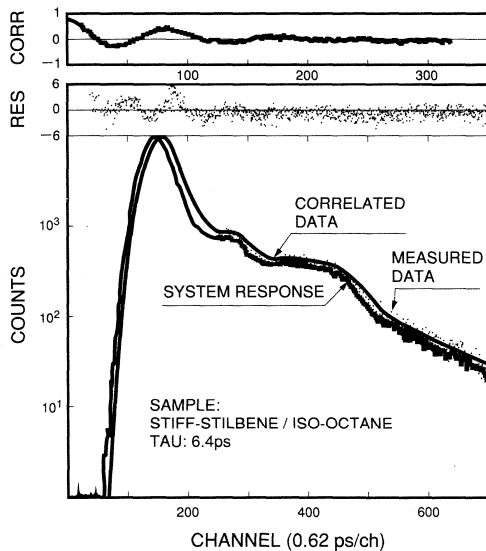
The current amplification should be high enough to obtain a good pulse height distribution in single photon events, in other words, a distinct valley should exist in the single-photoelectron pulse height distribution. Typically, current amplification of 5×10^6 is necessary.

Figures 9-48³⁵⁾ and 9-49³⁶⁾ show a system setup for fluorescence lifetime measurement and typical results that were measured. The photomultiplier tube used for this measurement is a high-speed MCP-PMT (Hamamatsu R3809U).



TPMHC0038EA

Figure 9-48: TCPC system for fluorescence lifetime measurement



TPMHB0091EA

Figure 9-49: Fluorescence lifetime data of stiff-stilbene (courtesy of Prof. Yamazaki, Hokkaido University, Japan)

9.12 Plasma Applications

Photomultiplier tubes and MCPs (microchannel plates) are used in plasma measurements, such as plasma electron-density and electron-temperature measurement applications utilizing Thomson scattering or the Doppler effect, plasma spatial-distribution observation and plasma impurity measurements intended for controlling impurities and ions in plasma.

9.12.1 Overview

Figure 9-50 shows the construction of a plasma electron-density and electron-temperature measuring system³⁷⁾, actually used in a Japanese tokamak-type nuclear fusion reactor "JFT-2". The detector and signal processing units used in this system are also shown in Figure 9-51³⁸⁾, example of a scattered-light measuring system³⁹⁾ using a high-power ruby laser designed for plasma diagnosis is shown in Figure 9-52. In both systems, photomultiplier tubes are used as detectors in the ultraviolet to visible region, while multichannel spectrophotometry using an MCP is performed in the soft X-ray region.

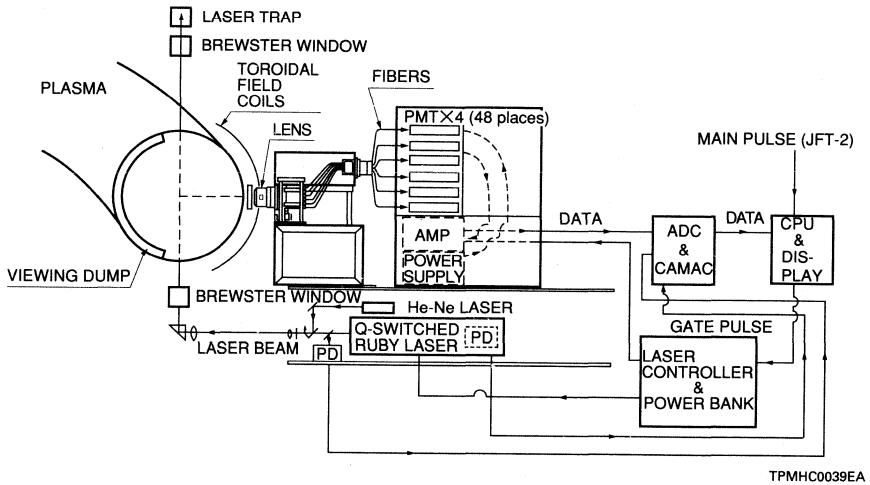


Figure 9-50: Construction of a plasma electron-density and electron-temperature measuring system

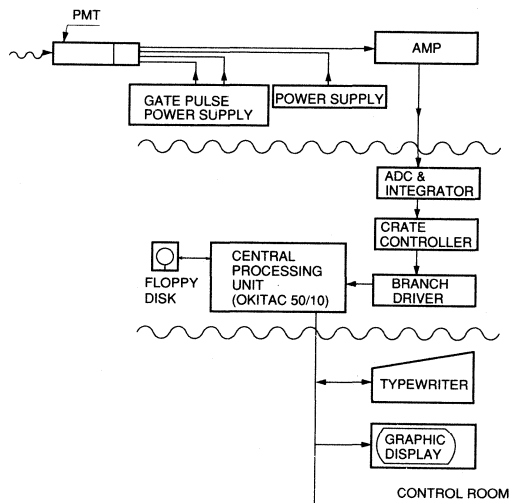
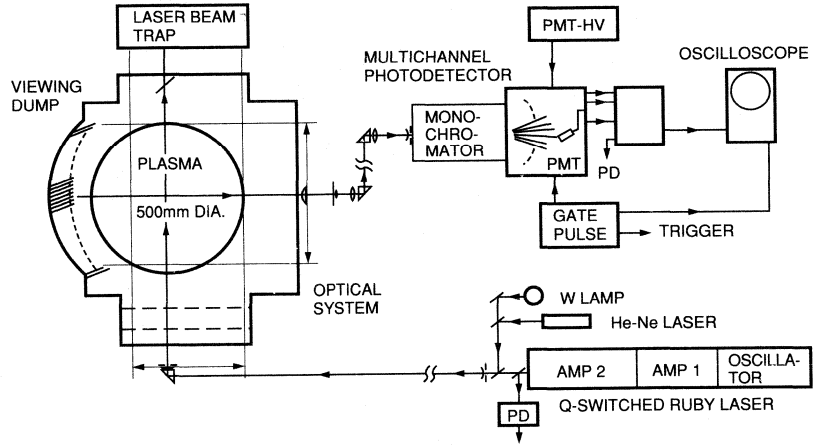


Figure 9-51: Block diagram of the detector and signal processing units used in the above system



TPMHC0041EA

Figure 9-52: Example of a scattered-light measuring system using a ruby laser

9. 12. 2 Major characteristics required of photomultiplier tubes

- a) High photocathode sensitivity
- b) Gate operation

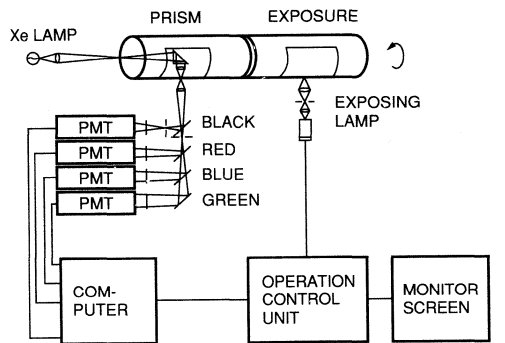
Photomultiplier tubes used in this field must provide gate operation to avoid damage caused by input of intense light from the excitation laser, as well as high sensitivity for detecting low light levels.

9. 13 Color Scanners

Photomultiplier tubes are used in color scanners in photographic printing applications. The color scanner is a high-precision instrument designed to produce color-analyzed film by photoelectrically scanning an original color film or reflective print and analyzing its color balance.

9. 13. 1 Overview

Figure 9-53 shows the block diagram of a color scanner using a photomultiplier tube for each of three primary (red, green, blue) colors and black. There is another type of color scanner that uses a single photomultiplier tube for analyzing and controlling RGB colors by rotating the drum 3 times faster.



TPMOC0032EA

Figure 9-53: Block diagram of a color scanner

9. 13. 2 Major characteristics required of photomultiplier tubes

The following characteristics are required of photomultiplier tubes used in these applications.

- a) High quantum efficiency at each wavelength of RGB
- b) Low noise, especially no microphonic noise
- c) Fast signal-waveform fall time
- d) Good reproducibility with respect to changes in input signal
- e) High stability

Among these, fall time and reproducibility are very important factors that affect color shading and resolution of color scanners.

9. 14 Industrial Measurement Applications

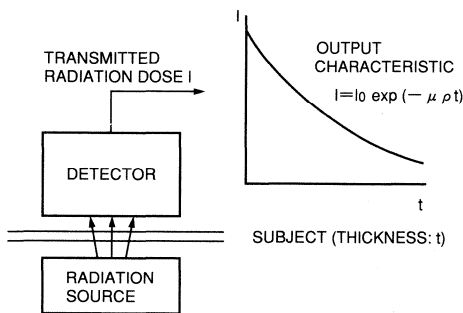
For non-contact measurement on a production line and other industrial measurement applications where rapid measurement with a high degree of accuracy and quality is essential, extensive use is made of various devices having photomultiplier tubes as detectors. These devices include thickness gauges, laser scanners and flying spot scanners, which are briefly discussed in the following paragraphs.

9. 14. 1 Thickness gauges

(1) Overview

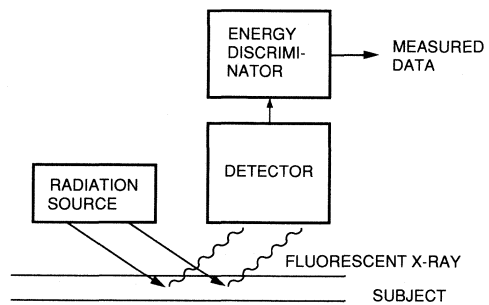
To measure the thickness of paper, plastics and steel plates on a production line, non-contact measurement techniques that use radiation such as beta rays, X rays or gamma rays are favored.

These techniques can be roughly divided into two methods: one measures the amount of beta or gamma rays transmitted through an object⁴⁰⁾ (Figure 9-54) and the other measures the amount of fluorescent X-rays⁴¹⁾ (Figure 9-55).



TPMHC0042EA

Figure 9-54: Principle of a transmission-mode thickness gauge



TPMHC0043EA

Figure 9-55: Principle of a fluorescent X-ray thickness gauge

When the intensity of radiation incident on a material is I_0 , the transmitted radiation intensity I can be expressed in the following relation:

$$I = I_0 e^{(-\mu\rho t)}$$

where t : thickness (m)
 ρ : density (g/m^3)
 μ : mass absorption coefficient (m^2/g)

Since the transmitted radiation intensity is proportional to the count rate, the thickness of the material can be obtained by calculating the count rate. In general, beta rays are used to measure rubber, plastics and paper which have a small surface density (thickness \times density), while gamma rays are used to measure material with a large density such as metals. In addition, infrared radiation is also used for measurement of films, plastics and other similar materials.

Fluorescent X-rays are used to measure the film thickness of plating and deposition layers. Fluorescent X-rays are secondary X-rays generated when a material is excited by radiation and have characteristic energy of the material. By detecting and discriminating this energy, the quantitative measurement of the object material can be made.

There are a variety of detectors used in these applications, such as proportional counter tubes, GM counter tubes, photomultiplier tubes and semiconductor detectors. Photomultiplier tubes are used in conjunction with scintillators, mainly for detection of gamma rays and X-rays.

(2) Characteristics required of photomultiplier tubes

Major characteristics required of photomultiplier tubes in these applications are as follows:

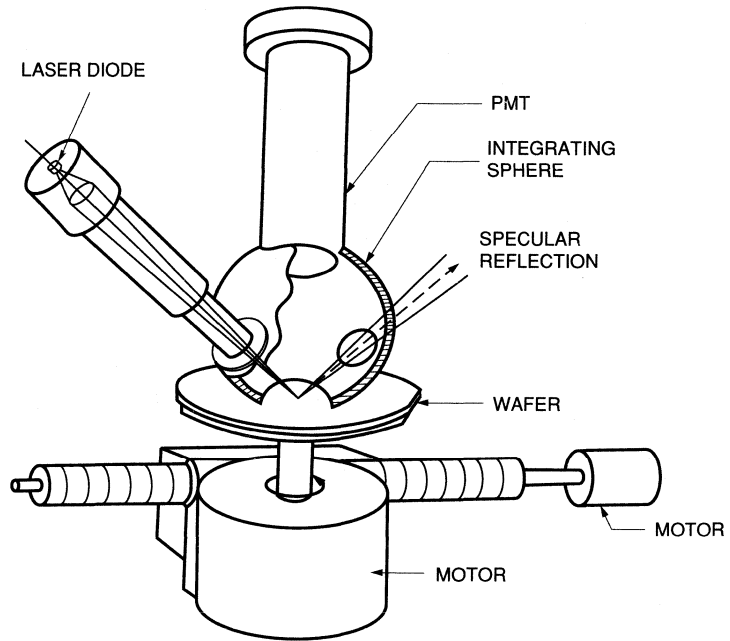
- a) Superior linearity characteristics
- b) Low hysteresis
- c) High energy resolution or pulse height resolution (PHR)
- d) Stability

9. 14. 2 Laser scanners

(1) Overview

Laser scanners are widely used in pattern recognition such as defect inspection and mask alignment of semiconductor wafers.

In semiconductor wafer inspection systems⁴²⁾, a laser beam is scanned over the wafer surface or the wafer itself is scanned while a laser beam is focused onto a fixed point. In either case, photomultiplier tubes are commonly used to detect scattered light caused by dirt, stain and defects on the wafer surface. (See Figure 9-56.)



TPMOC0034EA

Figure 9-56: Construction of the optical system for a semiconductor wafer inspection system

(2) Characteristics required of photomultiplier tubes

The following characteristics are required of photomultiplier tubes used in laser scanners.

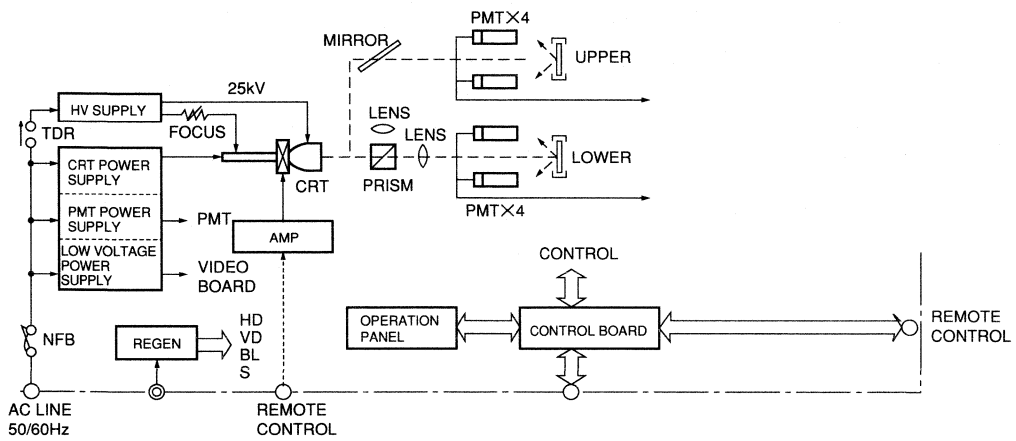
- a) Low dark current and spike noise
- b) High quantum efficiency at wavelengths to be measured
- c) Superior uniformity
- d) Superior linearity
- e) Resistance to relatively large current and good stability

9. 14. 3 Flying spot scanners

(1) Overview

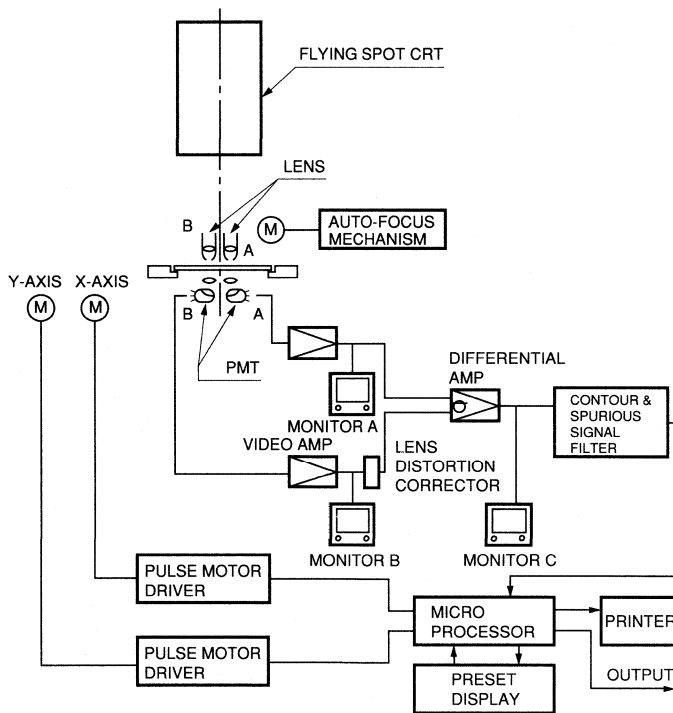
There are several methods for converting the information recorded on photographic film into electrical signals, for example, methods using a camera tube, CCD linear image sensor or flying spot scanning. Of these, flying spot scanning using photomultiplier tubes as detectors has been extensively used thanks to its advantages in processing speed, sensitivity and image quality including resolution and signal-to-noise ratio.

In a typical flying spot scanner, a special low-lag CRT (cathode-ray tube) called a flying spot tube provides a small light spot to form a raster. The raster is focused onto the film, and the transmitted or reflected light is detected by photomultiplier tubes. The block diagram⁴³⁾ of a typical flying spot scanner is shown in Figure 9-57. The flying spot scanner is used not only in image processing but also inspection of photolithographic masks used for fabrication of semiconductor devices. Figure 9-58 shows an example of this application⁴⁴⁾.



TPMOC0035EA

Figure 9-57: Block diagram of a flying spot scanner



TPMOC0036EA

Figure 9-58: Semiconductor mask inspection system utilizing a flying spot scanner

(2) Characteristics required of photomultiplier tubes

The following characteristics are required of photomultiplier tubes used in flying spot scanners.

- a) Low dark current and spike noise
- b) High quantum efficiency (at RGB wavelengths in the case of color operation)
- c) Wide dynamic range

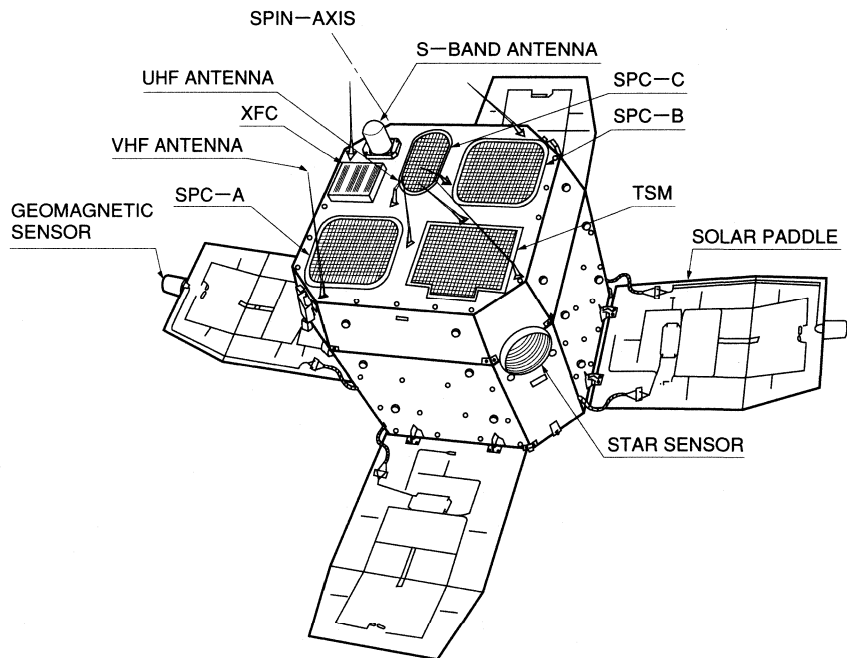
Spike noise may be a cause of a spot-like noise, and low quantum efficiency may result in an increase in shot noise, leading to deterioration of the signal-to-noise ratio.

9. 15 Aerospace Applications

Photomultiplier tubes are used in aerospace applications, for example, X-ray detection from space, planetary observation, solar observation, environmental measurement in inner or outer space and aurora observation. In addition, photomultiplier tubes are also used for spectral measurements of various radiation in the atmosphere or outer space and measurement of X-rays from a supernova.

9. 15. 1 Overview

Figure 9-59 illustrates the external view⁴⁵⁾ of the X-ray observation satellite "Tenma (Pegasus)" developed by a group of the ISAS (Institute of Space and Astronomical Science), Japan. A gas-scintillation proportional counter is used as the detector, which is coupled to a photomultiplier tube (Hamamatsu R1307) as shown in Figure 9-60⁴⁶⁾.



TPMHC0044EA

Figure 9-59: X-ray observation satellite "Tenma (Pegasus)"

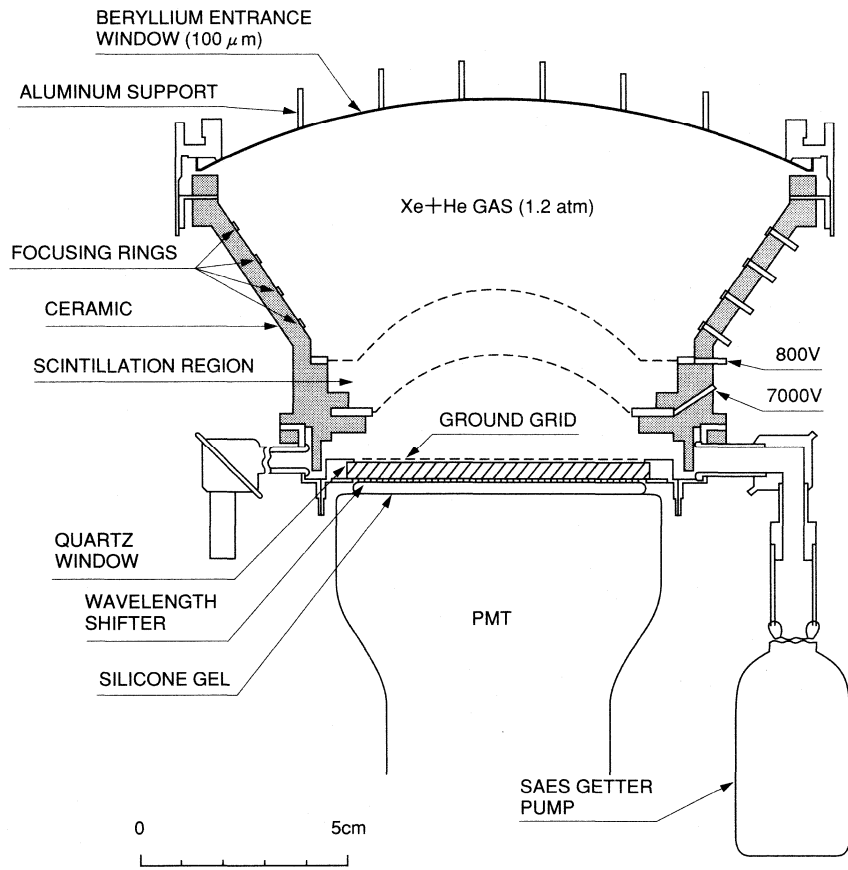
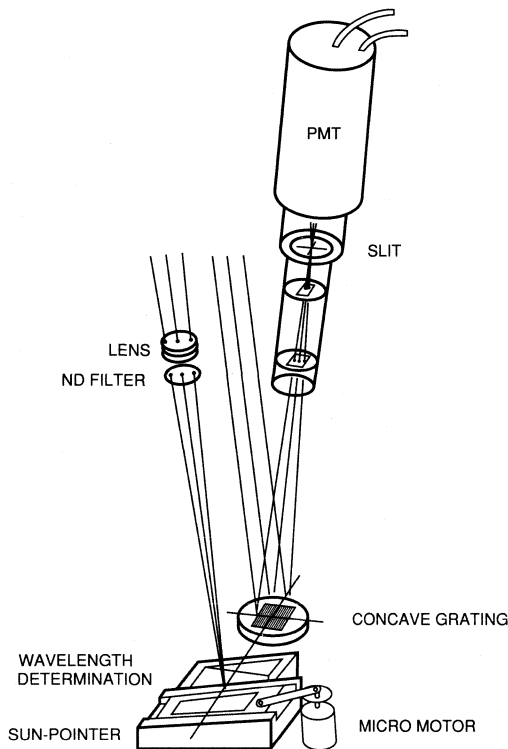


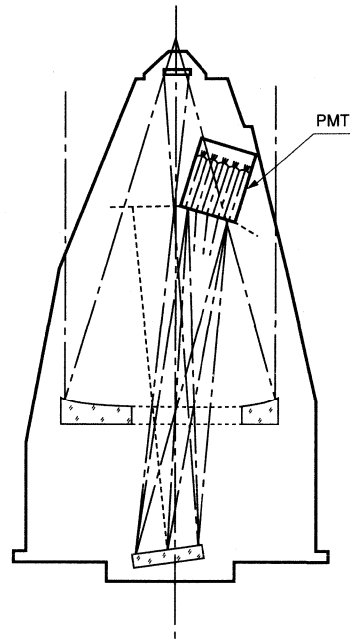
Figure 9-60: X-ray detector mounted in the "Tenma"

As practical examples of radiation measurement from within the atmosphere of a planet, photomultiplier tubes are applied to the measurement of solar spectrum⁴⁷⁾ and absolute photometry in the southern region of the Orion (Hunter) constellation⁴⁸⁾. Figures 9-61 and 9-62 show each of these examples.



TPMHC0046EA

Figure 9-61: Measurement of the solar spectrum



TPMHC0047EA

Figure 9-62: Optical path of the S520-3CN equipment

9. 15. 2 Characteristics required of photomultiplier tubes

The following characteristics are required of photomultiplier tubes used in these applications.

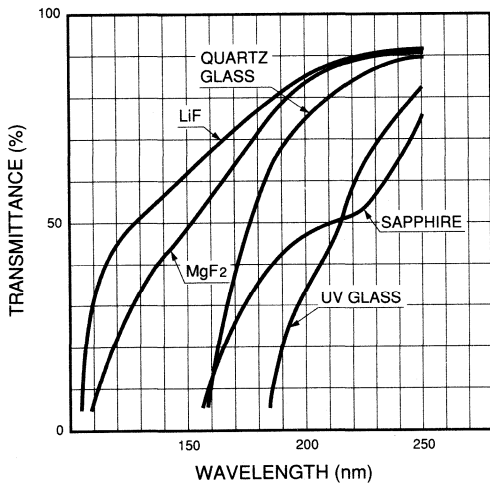
- a) High energy resolution
- b) Resistance to vibration and shock
- c) Solar blind response (in the case of vacuum UV to UV detection)

As discussed in Chapter 8, photomultiplier tube resistance to vibration and shock differs depending on the tube size and dynode structure. Normal photomultiplier tubes are resistant to a vibration of 5 to 10G, while ruggedized tubes can endure up to 15 to 30G. Table 9-5 classifies the grades of measurement conditions. Note that these grades are based on the sinusoidal vibration test, so random vibration tests should also be taken into account as well. Hamamatsu Photonics performs vibration tests according to the user's needs in order to design and manufacture vibration-proof, ruggedized photomultiplier tubes.

Grade	Acceleration G	Frequency	PMT
A	5.0	10 to 55	Normal type
B	5.0	10 to 500	Normal type
C	7.5	10 to 500	Normal type
D	10	10 to 1000	Normal type
E	15	10 to 2000	Ruggedized type
F	20	10 to 2000	Ruggedized type
G	25	10 to 2000	Ruggedized type
H	30	10 to 2000	Ruggedized type

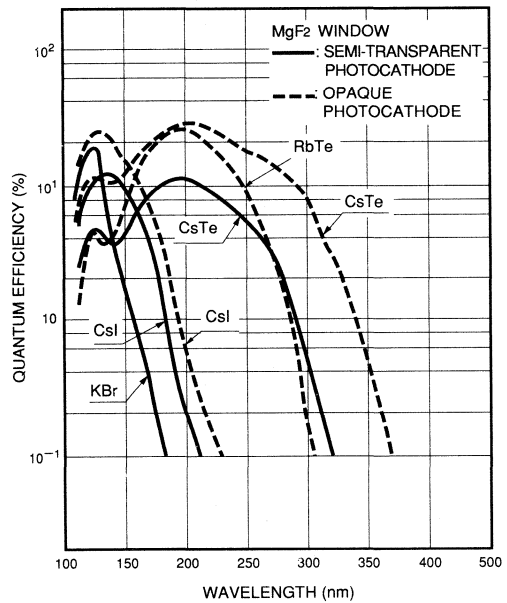
Table 9-5: Vibration test conditions

In the measurement of radiation traveling from space, photomultiplier tubes must have high sensitivity in the vacuum UV to UV range but also have a solar blind response. Since the detection limit on the short wavelength side is determined by the transmittance of the window material used for the photomultiplier tube, proper selection of window material is also important. Figure 9-63 shows transmittance characteristics of various window materials and Figure 9-64 shows spectral response characteristics of solar blind photocathodes specifically intended for UV detection.



TPMOB0031EA

Figure 9-63: Transmittance characteristics of various window materials



TPMOB0032EA

Figure 9-64: Spectral response characteristics of solar blind photocathodes

9. 16 Low-Light-Level Detection

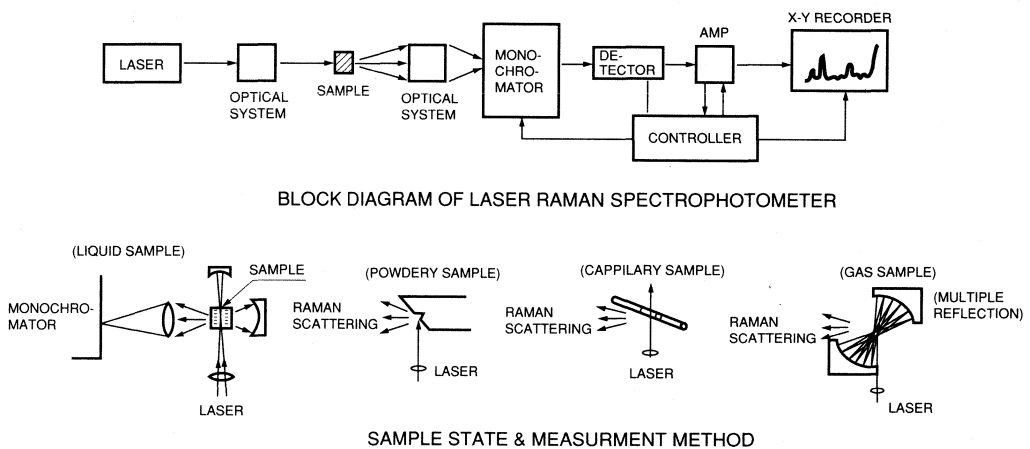
Lately, low-light-level detection is becoming increasingly important in various scientific fields.

In particular, low-light-level detection techniques are in greater demand in such studies as Raman scattering, Rayleigh scattering, biology, analytical chemistry, astronomy and fluorescence analysis. The detection techniques using photomultiplier tubes include the analog DC method, analog pulse method and digital method (photon counting). Of these, the photon counting is extremely effective in low-light-level detection. The excellent characteristics of photomultiplier tubes such as high current amplification and low noise can be fully utilized in this field.

9. 16. 1 Overview

Low-light-level detection utilizing the superior signal-to-noise ratio of photomultiplier tubes is being applied to diverse fields including Raman scattering, biology, chemical analysis and astronomy.

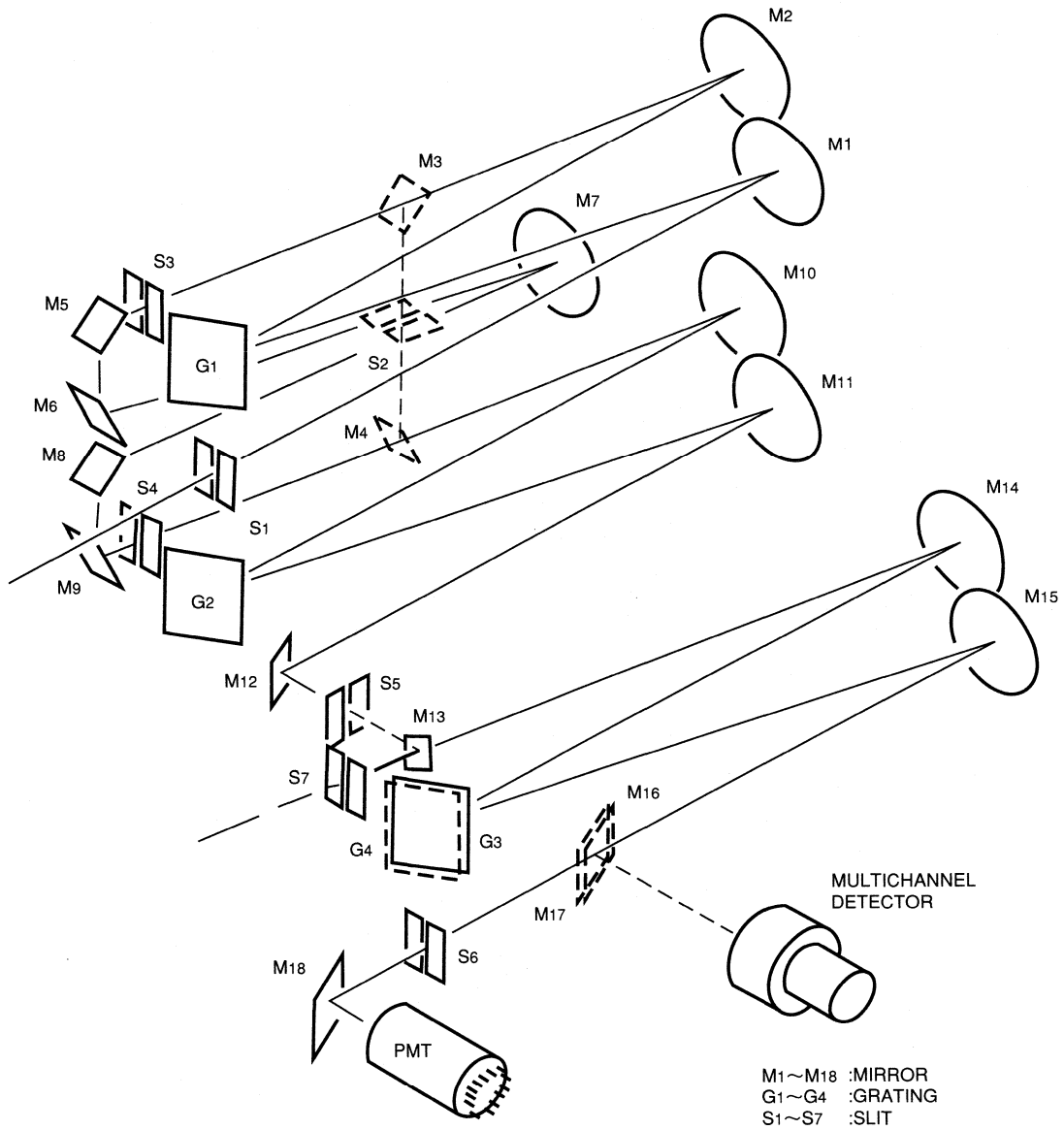
Figure 9-65 shows the block diagram of a laser Raman spectrophotometer⁴⁹⁾.



TPMOC0037EA

Figure 9-65: Block diagram of a laser Raman spectrophotometer

With recent advancements in laser technology, life science research such as a study of local protein structures utilizing Raman scattering is rapidly progressing. Because Raman scattering has an extremely low light level as compared to Rayleigh scattering (with the same wavelength as that of the excitation light), a high-quality monochromator with minimum stray light and a high-sensitivity detector must be used to separate the Raman scattering from extraneous light. A common monochromator used in Raman spectrophotometry is a double-monochromator equipped with a holographic grating or, in some cases a triple-monochromator with filter mechanism. Raman spectrophotometry requires such a complicated optical system that the incident light on the photomultiplier tube will be exceptionally low. For this reason, the photon counting method which ensures excellent signal-to-noise ratio and stability is frequently used. The monochromator and optical system used in Raman spectrophotometry must provide "minimum stray light", "high resolution" and "good light-collection efficiency". Figure 9-66 shows the optical layout⁵⁰⁾ of a laser Raman spectrophotometer. This instrument usually uses a photomultiplier tube specially selected for photon counting.



TPMOC0038EA

Figure 9-66: Optical layout of a laser Raman spectrophotometer

9. 16. 2 Characteristics required of photomultiplier tubes

The following characteristics are required of photomultiplier tubes used in photon counting.

- Less broadening of pulse height distribution, in other words, superior single photoelectron resolution (a sharp valley should exist so that the effects of photomultiplier tube sensitivity drift and supply voltage fluctuation can be reduced when the tube is operated over extended time periods.
- Less dark current pulse
- High amplification

If linear counting is essential up to a high light level, a fast-response photomultiplier tube must be used. In this case, it is recommended that photomultiplier tubes with a linear-focused dynode or circular-cage dynode be used.

References in Chapter 9

- 1) Japan Analytical Instruments Manufacturers' Association: Guide to Analytical Instruments, 3rd Edition, 37 (1986).
- 2) Thermo Jarrell Ash Corp. Ltd.: The Atom Scan25 Spectrometer.
- 3) H. Daidouji: The Spectroscopical Society of Japan - Measurement Method Series, 20, 129, Japanese Association of Spectroscopy (1985). (Published in Japanese)
- 4) Japan Analytical Instruments Manufacturers' Association: Guide to Analytical Instruments, 3rd Edition, 42 (1986). (Published in Japanese)
- 5) Japan Analytical Instruments Manufacturers' Association: Guide to Analytical Instruments, 3rd Edition, 45 (1986). (Published in Japanese)
- 6) K. Anan, K. Konno, Z. Tamura, M. Matsuhashi, J. Matsumoto and M. Watanabe: Fundamental Biochemical Experimental Methods, 4, 32, Maruzen Corp. (1975). (Published in Japanese)
- 7) M. Yamamoto: Medical Electronics and Bioengineering, 24, 6, 54 (1986). (Published in Japanese)
- 8) Kyoiku-Sha: Newton, 7, 4, 50 (1987).
- 9) M. Yamamoto: Positron CT Imaging - PET- Medical History, 127 (14), 1218-1225 (1983).
- 10) Y. Endo and K. Miyai: Protein, Nucleic Acid and Enzyme, Separate Volume 31, Enzyme Immunoassay, 13, Kyoritsu Publishing Corp. (1987). (Published in Japanese)
- 11) G. Kawashima: Introduction to Immunoassay, 29, Nanzandou (1987).
- 12) Japan Analytical Instruments Manufacturers' Association: Guide to Analytical Instruments, 3rd Edition, 228 (1986). (Published in Japanese)
- 13) G. Kawashima: Introduction to Immunoassay, 162, Nanzandou (1987). (Published in Japanese)
- 14) G. Kawashima: Introduction to Immunoassay, 83, Nanzandou (1987). (Published in Japanese)
- 15) T. Oda and H. Maeda: Protein, Nucleic Acid and Enzyme, Separate Volume 31, Enzyme Immunoassay, 243, Kyoritsu Publishing Corp. (1987). (Published in Japanese)
- 16) Association of Japanese Radiation Instrument Industry: General Guide to '84 Medical Radiation Instrument Technology. 198, Denshi Keisoku Publishing Company (1983). (Published in Japanese)
- 17) K. Kinoshita and T. Kamiyama: Fluorescence Measurement - Application to Biophysics, 83, The Spectroscopical Society of Japan (1983).
- 18) T. Hayashi: Photomultiplier Tubes For Use In High Energy Physics, 6 (1983).
- 19) S. Yamamoto: High Energy Physics, 37, Baifukan (1973). (Published in Japanese)
- 20) T. Hayashi: Photomultiplier Tubes for Use In High Energy Physics, 8 (1983).
- 21) J.M. Feller et al.: IEEE Trans. Nuclear Science, NS-25, 1, 304 (1978).
- 22) Hamamatsu Photonics: Photomultiplier Tubes and Environmental Conditions (1986)
- 23) Hamamatsu Photonics: Photomultiplier Tubes and Environmental Conditions (1986)
- 24) Hamamatsu Photonics Data Sheet: Ruggedized High-Temperature Photomultiplier Tubes (1992).
- 25) Hamamatsu Photonics Data Sheet: Ruggedized High-Temperature Photomultiplier Tubes (1992).
- 26) Hamamatsu Photonics Data Sheet: Ruggedized High-Temperature Photomultiplier Tubes (1992).
- 27) Japan Analytical Instruments Manufacturers' Association: Guide to Analytical Instruments, 3rd Edition, 63 (1986). (Published in Japanese)
- 28) Hitachi Mfg. Co. Ltd.: Hitachi Ion Micro Analyzer.
- 29) Japan Analytical Instruments Manufacturers' Association: Guide to Analytical Instruments, 3rd Edition, 171 (1986). (Published in Japanese)
- 30) Japan Analytical Instruments Manufacturers' Association: Guide to Analytical Instruments, 3rd Edition, 179 (1986). (Published in Japanese)

- 31) Japan Analytical Instruments Manufacturers' Association: Guide to Analytical Instruments, 3rd Edition, 133 (1986). (Published in Japanese)
- 32) Japan Analytical Instruments Manufacturers' Association: Guide to Analytical Instruments, 3rd Edition, 133 (1986).
- 33) Aroka Corp.: Gated Surface Monitor.
- 34) H. Shimizu, N. Takeuchi, Y. Sasano, N. Sugimoto, I. Matsui and N. Okuda: *Oyo Butsuri (Applied Physics)*, 50, 11, 1154 (1984). (Published in Japanese)
- 35) Hamamatsu Photonics Data Sheet: MCP-PMTs (Microchannel Plate - Photomultiplier Tubes)
H. Kume, H. Tsuchiya, K. Oba, I. Yamazaki and N. Tamai: *Rev. Sci. Instrm.*, 56,6 (1985).
- 36) N. Bones, N. Tamai, I. Yamazaki and T. Yamazaki: *Photochem. Photobiol.*, 52, 911-917 (1990).
- 37) T. Yamauchi et al.: *Jpn. J. Appl. Phys.* 21, 2, 348 (1982).
- 38) T. Yamauchi et al.: *Jpn. J. Appl. Phys.* 21, 2, 350 (1982).
- 39) Y. Suzuki, A. Funabashi, A. Ogata and T. Matoba: *Measurement and Control*, 17, 1 (1977).
- 40) Japan Analytical Instruments Manufacturers' Association: Guide to Analytical Instruments, 3rd Edition, 143 (1986).
- 41) Japan Analytical Instruments Manufacturers' Association: Guide to Analytical Instruments, 3rd Edition, 143 (1986).
- 42) TOPCON: Wafer Dust Inspection System WM-3 (1990).
- 43) Ikegami Tsushinki Co., Ltd: TKF-106.
- 44) Y. Nakada: (Electronic Parts and Materials) '83, Separate Volume, 189, Kogyo Chosa Kai Publishing Co., Ltd. (1983).
- 45) M. Fujii, I. Kondo, H. Murakami, S. Kitamoto, M. Nakagawa et al.: *ISAS Research Note*, 215 (1983).
- 46) M. Fujii, I. Kondo, H. Murakami, S. Kitamoto, M. Nakagawa et al. :*ISAS Research Note*, 215 (1983).
- 47) T. Watanabe, A. Yamaguchi, M. Nakagiri and S. Tanaka: *Tokyo Astronomical Observatory Report*, 20, 76, 149 (1986).
- 48) K. Nishi: *Solar Physics*, 18, Kluwer Academic Publishers (1986).
- 49) Japan Analytical Instruments Manufacturers' Association: Guide to Analytical Instruments, 3rd Edition, 46 (1986). (Published in Japanese)
- 50) Japan Spectroscopic Co., Ltd.: NR-1800.

NOTES

INDEX

[NUMBER]

⁴⁰K 78

[A]

Absolute photometry in the southern region of the Orion (hunter) constellation 231
 Acceleration factor 181
 Aerospace applications 230
 Afterpulsing 58
 Aging 46
 Aging effect 182
 Analog mode 61, 87
 Angular correlation method for gamma-ray emission 117
 Anode current 128
 Anode grounding 126
 Anode grounding scheme 141
 Anode luminous sensitivity 26
 Antigen-antibody reaction 199
 Applications 187
 Atmosphere, effect of 177
 Atomic absorption spectrophotometers 189
 Azimuth uniformity 76

[B]

Background noise 79, 205
 Base-line shift 143
 BeO, spectral response characteristics of 105
 BGO scintillator 71, 74, 197
 Biotechnology 207
 Bleeder circuits 126
 Bleeder circuit using transistors 135
 Fast-response bleeder circuits 134
 High output linearity bleeder circuits 135
 Tapered bleeder circuit 131
 Precautions when fabricating a bleeder circuit .. 139
 Voltage distribution 131
 Bleeder circuits 6, 85, 126
 Bleeder currents 126, 127, 128
 Bleeder resistors 140
 Blue sensitivity 26

[C]

Cathode grounding 126
 Cathode grounding scheme 141
 Cathode luminous sensitivity 25
 Cathode transit time difference 36, 92
 Cell sorters 207
 CFD 35
 Charge-sensitive amplifier 148
 Chemiluminescence 219
 Cockcroft-Walton voltage multiplier 135
 Coincidence counting 206
 Coincident resolving time 36
 Collection efficiency 13, 30
 Color scanners 225
 Compton effect 70
 Conductive paint 180
 Constant fraction discriminator 35
 Cooling 162
 Cosmic rays 53
 Cosmic-ray track measurements 123
 Count rate
 Count rate dependence 78
 Linearity of count rate 66
 Loss of count rate 66
 Maximum count rate 66
 Counting efficiency 62
 Coupling capacitors 139, 143
 CRT 36
 CTTD 36, 92
 Current amplification 15, 31, 141
 Current stress 181
 Current-to-voltage conversion 144
 Cutoff frequency 145

[D]

D type socket assembly 7
 DA type socket assembly 7
 Damping resistor 133
 Dark current 49, 102, 167
 Causes of dark current 49
 Equivalent Anode Dark Current Input (EADCI) .53
 Equivalent Noise Input (ENI) 55
 Temperature characteristics of dark current 51
 Dark current variation after gamma-ray irradiation .. 177
 Decoupling capacitors 129, 139, 140
 Detection efficiency 62
 Digital mode 61, 89
 Direct readers 190
 DNA sequencers 209
 Door Monitors 220

DP type socket assembly	7
Drift (Time stability).....	46
Dust counters	218
Dynode material.....	14
Dynode section	14
Dynode types	28
Box-and-grid type	13, 29, 101
Circular-cage type.....	13, 29
Fine-mesh type.....	29, 117
Linear-focused type	13, 29, 101
MCP (microchannel plate).....	29
Venetian blind type.....	29

[E]

EADCI (Equivalent Anode Dark Current Input).....	53
ECT.....	194
Edge effect	157
EIA.....	202
Electron affinity	12
Electron movement	13
Electron multiplier	14
Electron multiplier tubes (EMT).....	99
Construction.....	100
Current amplification.....	101
Beryllium oxide (BeO)	102
Dark current	102
Dynodes	101
BeO (beryllium oxide).....	102
Box-and-line	101
Mesh.....	101
Linear-focused	101
Linearity.....	102
Magnetic characteristics.....	103
Noise	102
Pulse counting.....	104
Replacing the first dynode	107
Secondary emissive surface	100
Spectral response characteristics of CsI, BeO, RbBr and Au.....	105
Time stability	104
Uniformity.....	102
Electron trajectory.....	13
Electron transit time.....	33
Electrostatic shield.....	152
Emission computed tomography.....	194
Emission spectra of scintillators	72
Emission-immunoassay	204
Energy gap	12
Energy resolution.....	72, 213
ENI (Equivalent Noise Input).....	55
Environmental measurement	218

Environmental resistance	165
Enzymeimmunoassay	202
External circuit.....	141
External electric potential, effect of.....	178
Extinction ratio.....	137

[F]

Failure criteria.....	184
Failure mode	183
Failure rate	183
Fall time	33
Fast response circuits, countermeasures for.....	133
Field emission	53
Fine-mesh dynodes	169
Fluorescence lifetime measurement	223
Fluorescence-polarization photometer.....	204
Fluorometers	208
Fluorospectrophotometers.....	191
Flying spot scanners.....	228
Four-segmented, rectangular photomultiplier tube...	198

[G]

Gamma cameras.....	192
Gas cherenkov counter.....	210
Gas chromatograph	215
Gating circuit	136
Glass scintillation.....	177
Groups III-V compound semiconductors.....	12
GSPC (Gas scintillation proportional counter).....	116

[H]

HA coating.....	127, 180
Head-on photomultiplier tubes	13
Helium gas, effects of	175
High-energy physics experiments.....	210
High-temperature photomultiplier tubes.....	213
Current amplification with respect to temperature	213
Plateau characteristics	213
Pulse height resolution.....	213
Time stability data of anode current at different temperatures	213
High-voltage power supply.....	6, 141
Hodoscope.....	210
Housing	152
Humidity	168
Operating.....	168
Storage	168

Hysteresis	47
Light hysteresis	47
Reducing the hysteresis	49
Voltage hysteresis	48

[I]

IEC Pub.68	174
Immunoassay	199
Emission-immunoassay	204
Enzymeimmunoassay	202
In-vitro assay	199
Radioimmunoassay	201
In-vitro assay	199
Industrial measurement applications	226
Intermittent operation (aging effect)	182
Ion feedback	53, 58

[J]

JEDEC	13, 18
JIS-C0040 (vibration)	174
JIS-C0041 (shock)	174

[L]

Laser measurement	221
Laser radar for atmospheric observation	222
Laser Raman spectrophotometer	234
Laser scanners	227
Lead	140
Lead glass calorimeter	210
Leakage current (Ohmic leakage)	52
Life characteristics	46
Light measurement method	8
Light shield	152
Linear anode array	96
Linearity	37, 75, 102
Anode linearity	38
Cathode linearity	37
Linearity measurement	39
DC mode	39
Pulse mode	40
Liquid scintillation counting system	205
LLD (lower level discrimination)	64
Long term stability	77, 194
Long wavelength limit	24
Lowpass filter	133

[M]

Magnetic characteristics	94, 103, 169
Magnetic characteristics, photomultiplier tube	159
Magnetic fields, effects of	169
Magnetic shield	153
Edge effect	157
Frequency characteristics	156
Saturation characteristics	155
Magnetic shield case	159, 162
Magnetization	170
Mass spectrometers	215
MCA	35
MCP	83
Channel length	86
Construction	84
Gain factor	86
Length-to-diameter ratio	86
Strip current	86
MCP-PMT	83, 223
Bleeder circuits	85
Construction	84
Count-rate linearity in photon counting mode, 2-stage MCP-PMT	90
Current amplification characteristics	86
Dead time	90
Housing	85
Pulse linearity	88
Recovery time	90
Saturation characteristics	86
In DC operation (analog mode)	86
Pulse gain saturation in MCP non-saturated range (analog mode)	87
Pulse gain saturation in MCP saturation range (digital mode)	87
Timing properties	90
CTTD (cathode transit time difference)	92
Quick reference	92
Rise/fall times	91
Transit time	91
TTS (transit time spread)	91
Mean life	183
Mean time between failure	183
Mean time to failure	183
Microphonic noise	172
MIL STD-202F	174
MIL STD-810D	174
MTBF	183
MTTF	183
Multichannel analyzer	35

[N]

NAI(Tl) scintillator	71, 74
Natural radioactive elements.....	78
NEA (Negative Electron Affinity).....	12
Neutron imaging	117
NF (Noise Figure).....	56
Noise	78
Noise Figure.....	56
NOx analyzers.....	219
Nuclides used for nuclear medical imaging.....	193

[O]

Oil well logging	212
Operational amplifier.....	146
Output circuit for a fast response photomultiplier tube	150
Output control circuit.....	137
Output linearity	127
DC-operation output linearity	128
Pulse-operation output linearity	129
Output waveform	143

[P]

Pair production	70
PB material.....	155
PC board for bleeder circuit.....	139
PC boards	139
PC material.....	155
Permalloy	153
PET	194
PET camera.....	116
Photocathode Materials.....	18
Ag-O-Cs.....	19
Au	105
BeO	105
Bialkali.....	18
Cs-I.....	18, 105
Cs-Te.....	18
GaAs(Cs).....	19
High temperature, low noise bialkali.....	19
InGaAs(Cs)	19
Multialkali.....	19
RbBr.....	105
Sb-Cs.....	18
Sb-K-Cs.....	18
Sb-Na-K.....	19
Sb-Na-K-Cs.....	19
Sb-Rb-Cs.....	18
Solar blind.....	18

Trialkali.....	19
Photocathodes	12, 18
Band model	12
Reflection mode.....	12
Solar blind.....	18
Spectral response characteristics.....	20, 105
Transmission mode	12
Photocathodes, history of.....	3
Photoelectric conversion.....	12
Photoelectric effect	70
Photoelectric effects, external.....	12
Photoelectric effects, internal.....	12
Photoelectric emission spectrophotometers	190
Photoelectron emission	12
Photomultiplier tube made of nonmagnetic materials	171
Photomultiplier tubes for photon counting, characteristics of	69
Photomultiplier tubes for use in highly magnetic fields	169
Photomultiplier tubes, basic principle of.....	11
Photomultiplier tubes, history of.....	4
Photomultiplier tubes, using	4
AC method.....	7
Analog mode.....	61
Associated circuit.....	7
Basic operating circuit	5
DC method.....	7
Digital (photon counting) mode.....	61
Photon counting	61
Circuit configuration.....	64
Principle	62
Signal-to-noise ratio.....	67
Stability	67
Photon counting circuits	151
Photopeak drift.....	77
Pile-up.....	144
Plasma applications.....	224
Plasma electron-density and electron-temperature measuring system.....	224
Plateau characteristic	65, 79
Plateau characteristics of photomultiplier tubes	81
Polarized-light dependence.....	58
Position-sensitive photomultiplier tubes.....	109
Applications	115, 121
Center-of-gravity detection.....	113
Construction	111
Cross-wire anode	111
Crosstalk	120
Fine-mesh dynode.....	109, 117
Grid dynode	109, 111
Photomultiplier tube assemblies	121

Readout method	110
Using fine-mesh dynodes.....	119
Using grid dynodes	115
Spatial resolution	114, 120
Spatial-resolution linearity.....	114
Positron emission tomography.....	194
Positron CT	194
Proton decay experiment.....	211
Pulse height distribution	62, 65, 73
Pulse linearity.....	131
Pulse pair resolution.....	66

[Q]

Quantum efficiency.....	12, 23
-------------------------	--------

[R]

Radiant sensitivity.....	23
Radiation, effects of.....	175
Radioactive isotope.....	201
Radioimmunoassay.....	201
Random vibration.....	173
Random-wave	173
Red-to-white ratio	26
Relative pulse height (RPH)	75
Reliability.....	165, 181, 182
Reliability tests.....	184
Failure criteria.....	184
Test conditions.....	184
Resistance to shock.....	171, 172, 232
Resistance to vibration.....	171, 172, 232
Resistors.....	139
Resonance	172
RIA.....	201
Rise time	33
Ruggedized photomultiplier tubes	174

[S]

Saturation phenomenon	128
Scattered-light measuring system	224
Scintillation counting	70
Count rate dependence.....	78
Long term stability.....	77, 194
Noise	78
Photopeak drift.....	77
Short term stability.....	78
Scintillation fiber	122
Scintillation from glass	52
Scintillator lamination calorimeter	210

Scintillators	70
Emission spectra	72
Inorganic scintillators.....	71
BaF ₂ (barium fluoride).....	71, 198
BGO.....	71, 74, 197
C _d WO ₄	71
CsI(Na).....	71
CsI(Tl).....	71
NaI(Tl)	71, 74
Pure CsI.....	71
ZnS(Ag)	71
Organic scintillators	71
Anthracene	71
Plastic Scintillator (Pilot U).....	71
Stilbene	71
Secondary electrons	14
Secondary emission ratio	14, 31
Secondary emissive materials	14
Secondary ion mass spectrometers	217
Semiconductor wafer inspection systems	227
Sensitivity	
Blue sensitivity.....	26
Luminous sensitivity	25
Quantum efficiency.....	23
Radiant sensitivity.....	23
Red-to-white ratio	26
Shield	7
Electrostatic shield	152
Light shield	152
Magnetic shield.....	153
Shock.....	171
Short term stability.....	78
Short wavelength limit.....	24
Side-on photomultiplier tubes.....	13
Signal output line	140
Signal-to-noise ratio.....	55, 67
Single photon emission computed tomography	192
Sinusoidal wave	173
Solar blind photocathodes.....	233
Solar spectrum, measurement of.....	231
Solid surface analyzers	216
Space charge	131
SPECT	192
Spectral response characteristics.....	20, 21, 23
Spectral response range.....	24
Spectral transmittance of window materials	23
Spectrophotometry.....	188
Utilizing absorption	189
Utilizing emission	190
Stability	181
Stability over time (Life characteristic)	181
Stacked-ceramic photomultiplier tube	174

Surface scattered-light method	220
Switching ratio	137

[T]

TAC.....	35
Tapered bleeder circuit	131
TCPC	222
Temperature characteristics	166
Dark current	167
Sensitivity	166
Tetrode	169
Thermionic emission.....	51
Thermoelectric cooler	162
Thickness gauges	226
Threshold level.....	66
Time correlated photon counting.....	222
Time of flight	36, 196
Time-correlated photon counting (TCPC).....	91
Gated MCP-PMT	94
Magnetic characteristics.....	94
Multianode MCP-PMT	96
Time-of-flight	196
Time-to-amplitude converter	35
Timing properties.....	32
Electron transit time	33
Fall time	33
Rise time	33
Transit time spread.....	34
TTS (transit time spread)	34
TOF.....	36, 196
Transit time spread.....	34
Transmitted/scattered-light method	220
Triode.....	169
TTS (transit time spread)	34
Turbidimeters.....	219

[U]

ULD (upper level discrimination).....	64
Uniformity.....	41, 76, 102
Angular response	45
Azimuth uniformity	76
Spatial uniformity	43
Utilizing emission.....	190
UV, visible and infrared spectrophotometers	189

[V]

Vibration	171
Vibration test method.....	173
Voltage dependence.....	141
Voltage distribution in bleeder circuits.....	131
For cathode and earlier stages.....	132
In anode and latter stages.....	131
Voltage divider circuits.....	126

[W]

Warm-up	47
Wavelength effects.....	223
Well scintillation counter.....	201
Window materials	22
Al ₂ O ₃	22
Borosilicate glass	23
K-free glass	23
Kovar glass.....	23
MgF ₂ crystal.....	18, 22
Sapphire	22
Synthetic silica.....	22
UV glass (UV-transmitting glass).....	22
Window materials, spectral transmittance of.....	23
Window materials, transmittance characteristics of	233
Window transmittance, deterioration of	175
Window transmittance, variations of a borosilicate glass window when irradiated by gamma rays and neutrons	176
Work function	12

[X]

X-Ray observation satellite "Tenma (Pegasus)"	230
---	-----

[Z]

Zener diode	129
-------------------	-----

“PHOTOMULTIPLIER TUBE” Editorial Committee

Chief Editor	Hidehiro Kume
Editorial Staff	Kazuyoshi Okano
	Shiro Sakai
	Kazuo Yamashita
	Akifumi Kamiya
	Takeshi Taguchi
	Tetsuya Morita
	Kimiyuki Tomiyama
	Takashi Watanabe
	Seiji Suzuki
	Michiaki Nakanura
	Haruhisa Yamaguchi
	Yutaka Hasegawa
	Tsutomu Ogawa
Editor Office	Naoki Uchiyama
	Daisuke Uchizono

PHOTOMULTIPLIER TUBE

— Principle to application —

MARCH.1994 1st edition

Authors HAMAMATSU PHOTONICS K.K.
Editorial Committee

Editing/
Printing DATA PROCESS LABORATORY K.K.

Publisher HAMAMATSU PHOTONICS K.K.
Electron Tube Center

Copyright ©HAMAMATSU PHOTONICS K.K., Electron Tube Center 1994

All rights reserved.

Cat. No. TOTH9001E01

Printed in JAPAN.